

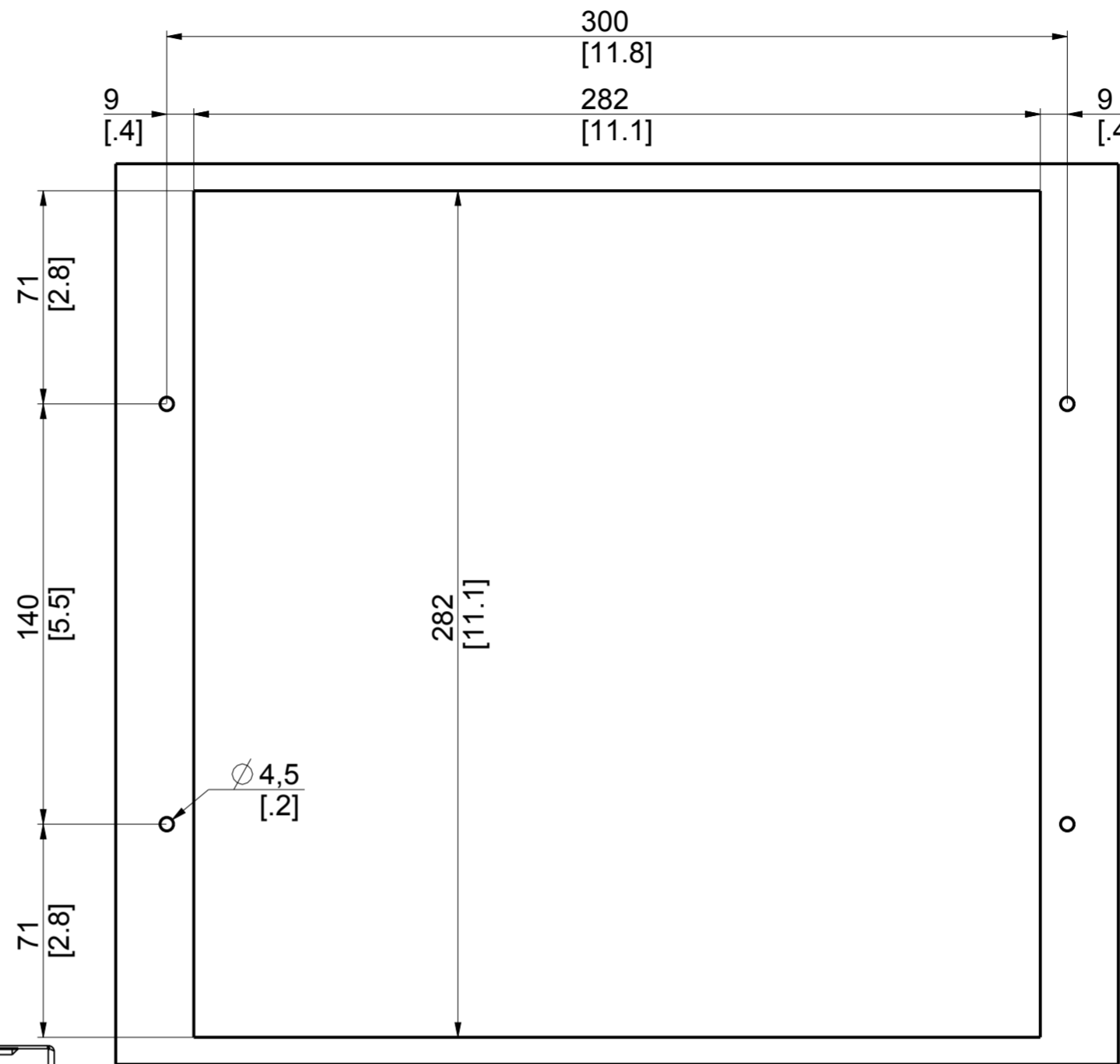
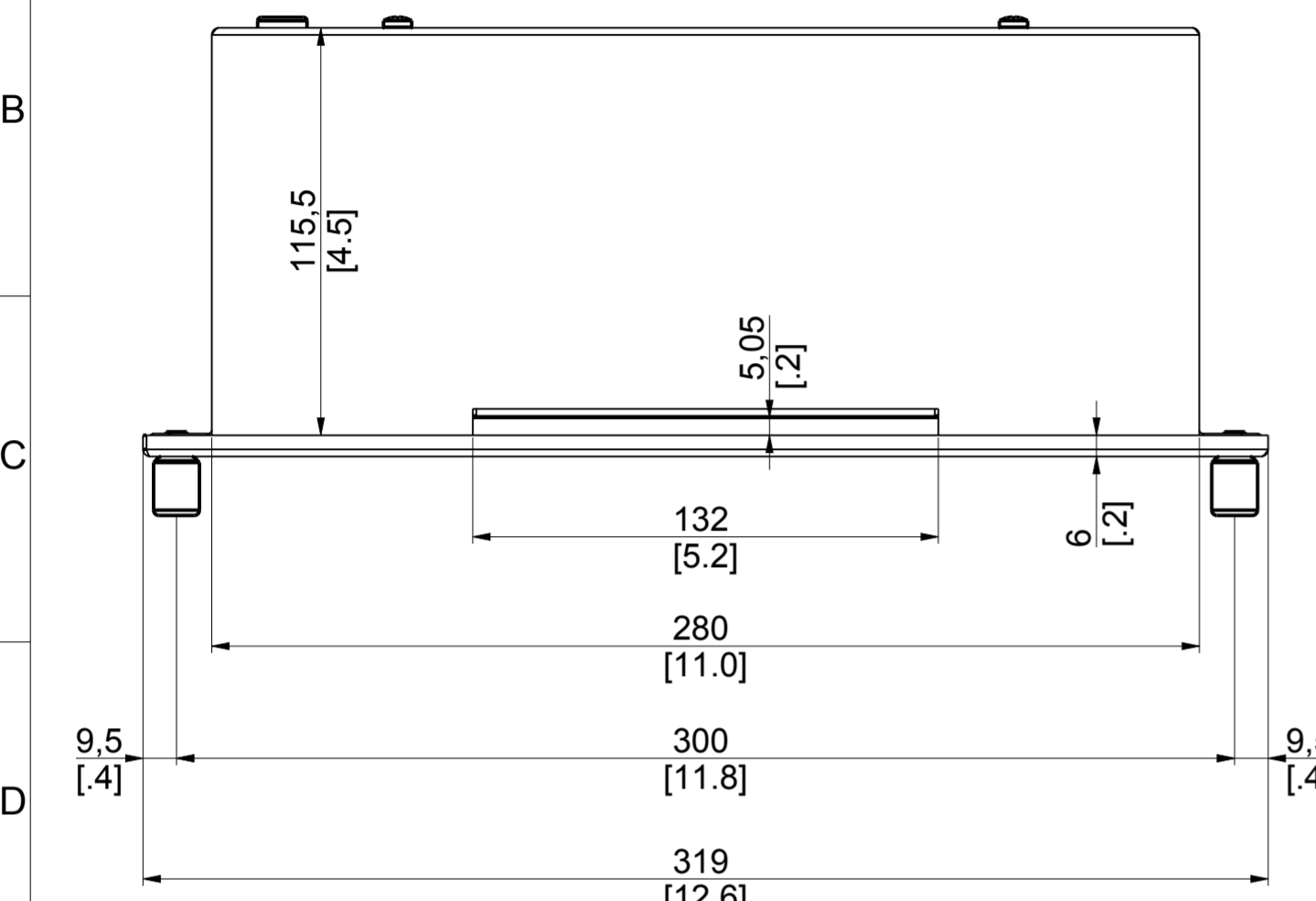
Art no:	Voltage (VAC)	Frequency (Hz)	Current (A)		Power (W)		Maximum AirFlow (CFM) ASSEMBLY		Maximum AirFlow (CFM) FAN ONLY		Noise level (dB/A)		Operating temperature (°C) [°F]	Weight (g) [lbs]
			50Hz	60 Hz	50Hz	60 Hz	50Hz	60 Hz	50Hz	60 Hz	50Hz	60 Hz		
FBF1010115V	115v	50/60Hz	0.55	0.62	56	68	353	312	680	630	66	62	-10 [14] to 70 [158]	3562 [7.85]
FBF1010230V	230v	50/60Hz	0.26	0.3	56	63	353	312	680	630	66	62	-10 [14] to 70 [158]	3562 [7.85]

UNLESS OTHERWISE SPECIFIED, DIMENSIONS ARE IN MM. DIMENSIONS W/O TOLERANCES ISO2768-mK AS FOLLOWS. SURFACES ISO1302. TOLERANCES ARE NOT CUMULATIVE.

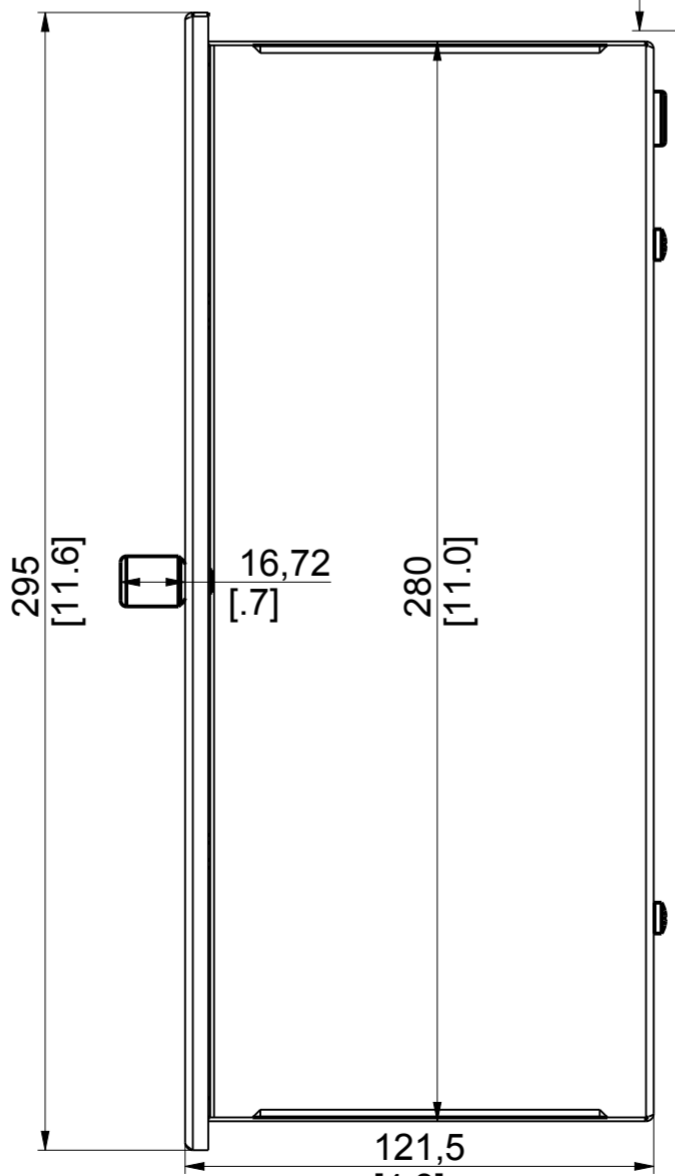
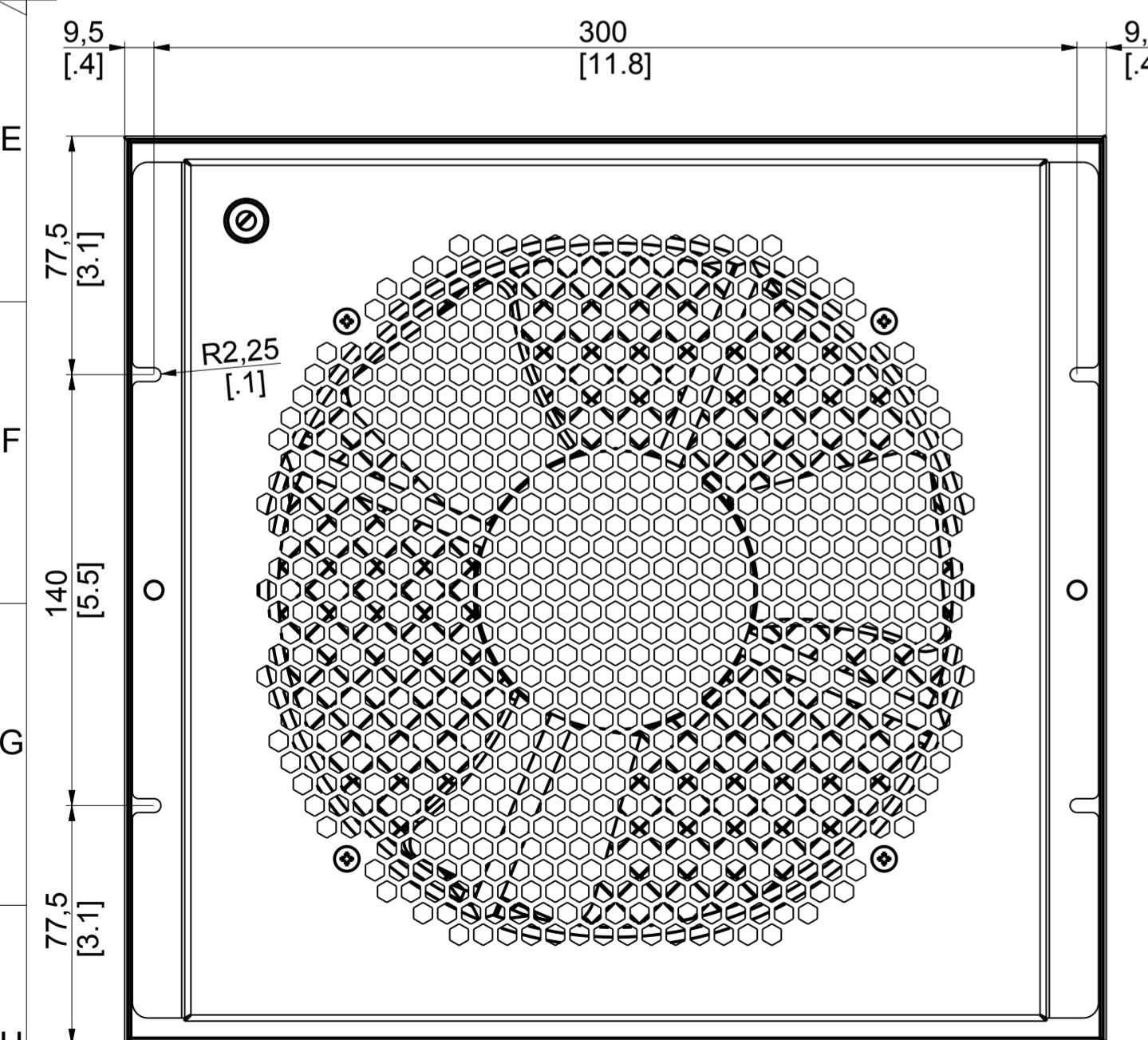
LINEAR DIMENSIONS							
0.5 to 3	>3 to 6	>6 to 30	>30 to 120	>120 to 400	>400 to 1000	>1000 to 2000	>2000 to 4000
±0.1	±0.1	±0.2	±0.3	±0.5	±0.8	±1.2	±2

ANGULAR DIMENSIONS					BEND DIRECTION	
to 10	>10 to 50	>50 to 120	>120 to 400	>400	↙ ↗	BEND OUT
±1°	±0°30'	±0°20'	±0°10'	±0°5'	↘ ↖	BEND IN



Mounting Cutout



NOTES:  
 1. THIS IS A CREO PARAMETRIC DRAWING. ANY CHANGES MUST BE WITHIN PDM LINK.  
 2. REMOVE ALL BURRS AND SHARP EDGES.

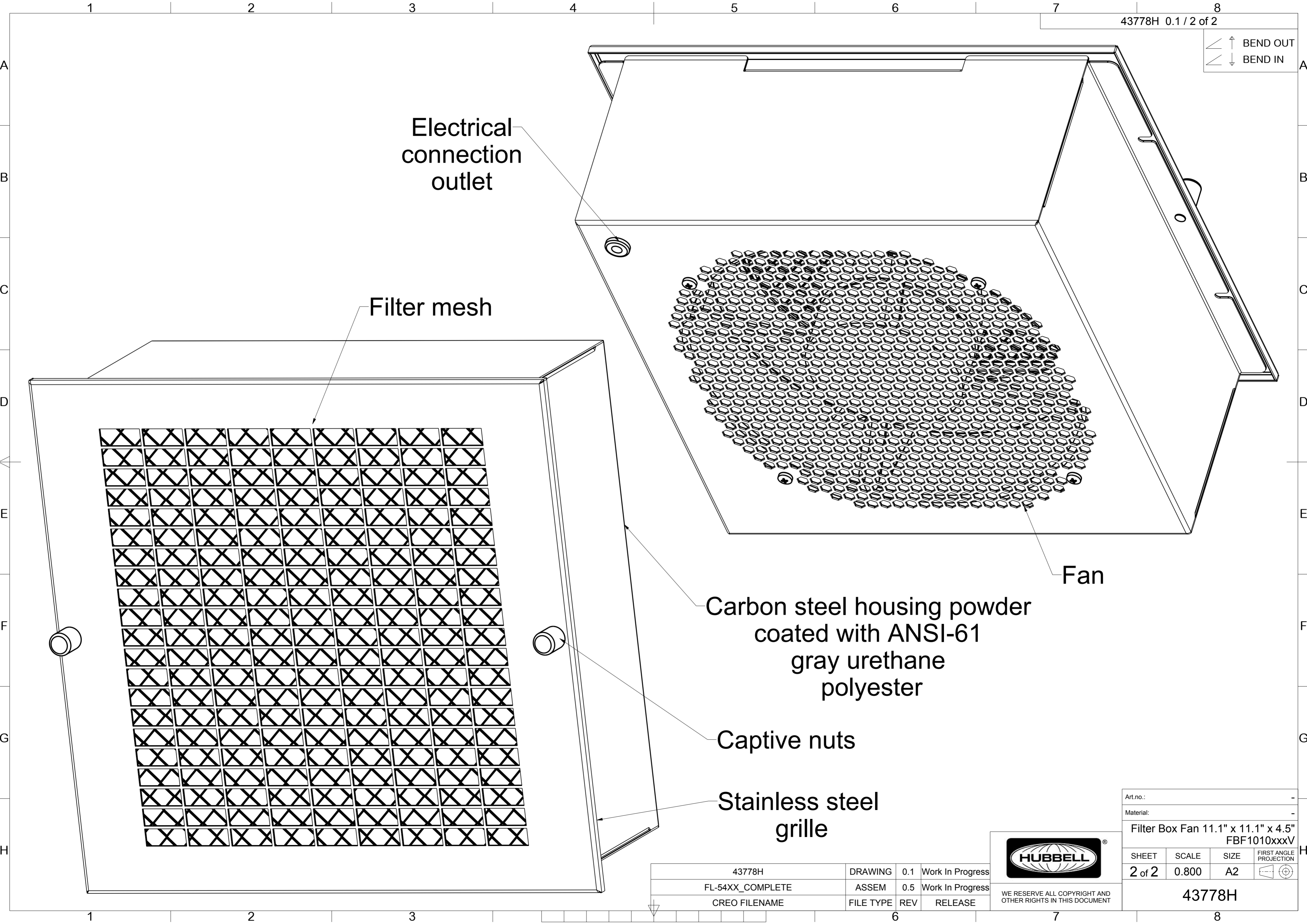
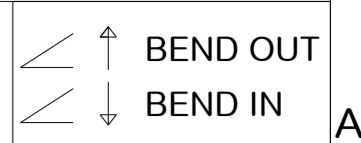
REV	BY	DATE	DESCRIPTION
0.1	DS	13.03.17	Modified Grille

Art.no.:			
Material:			
Filter Box Fan 11.1" x 11.1" x 4.5" FBF1010xxxV			
Designed:	D.Schembri	25.10.2016	FIRST ANGLE PROJECTION
Drawn:	D.Schembri	02.11.2016	SHEET SCALE
Checked:	-	Approved: -	1 of 2 0.510
43778H			ISSUE SIZE
			0.1 A2

43778H	DRAWING	0.1	Work In Progress
FL-54XX_COMPLETE	ASSEM	0.5	Work In Progress
CREO_FILENAME	FILE TYPE	REV	RELEASE



WE RESERVE ALL COPYRIGHT AND OTHER RIGHTS IN THIS DOCUMENT



Art.no.:	-		
Material:	-		
Filter Box Fan 11.1" x 11.1" x 4.5" FBF1010xxxV			
SHEET	SCALE	SIZE	FIRST ANGLE PROJECTION
2 of 2	0.800	A2	
43778H			



WE RESERVE ALL COPYRIGHT AND OTHER RIGHTS IN THIS DOCUMENT

43778H	DRAWING	0.1	Work In Progress
FL-54XX_COMPLETE	ASSEM	0.5	Work In Progress
CREO FILENAME	FILE TYPE	REV	RELEASE