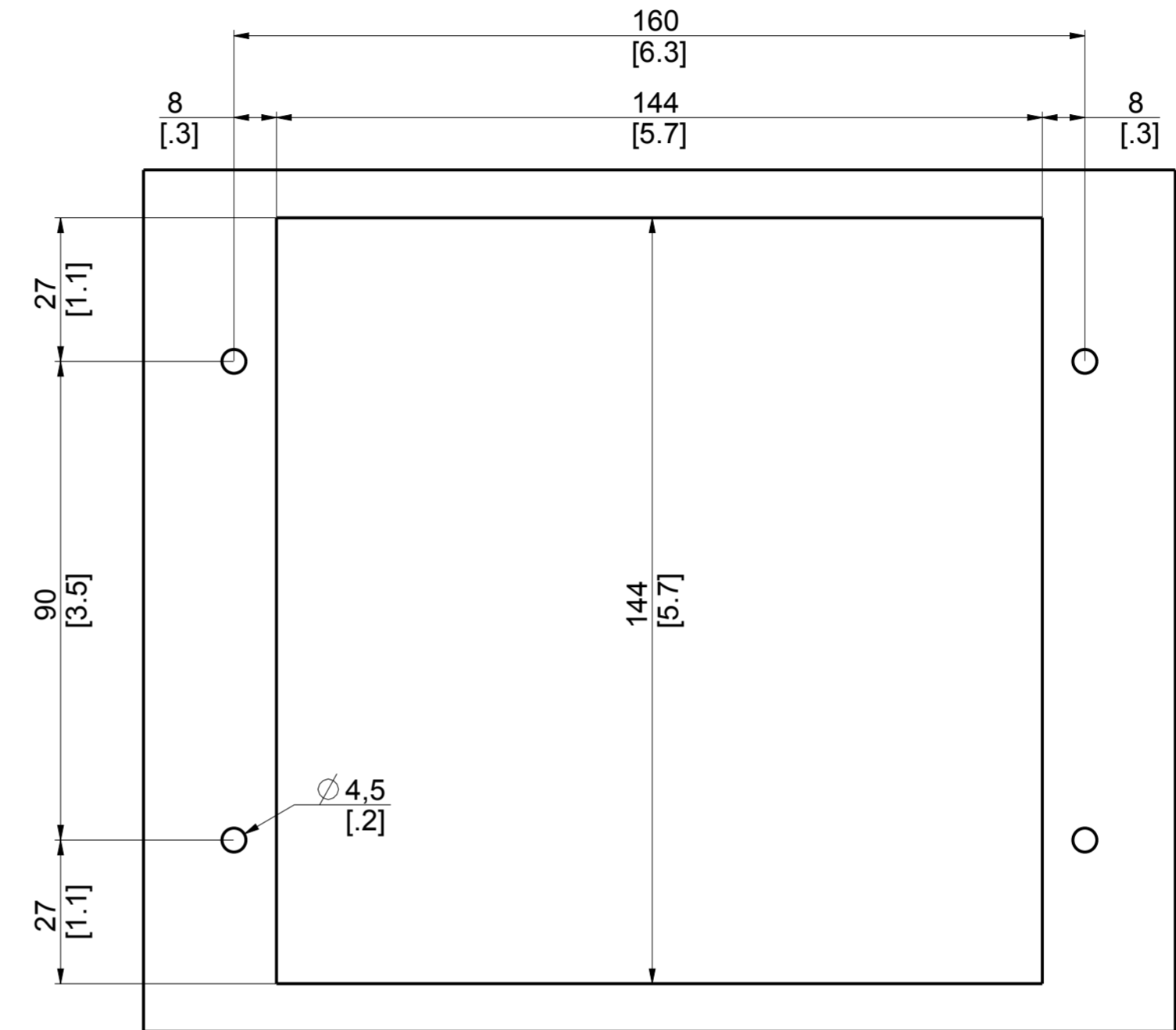
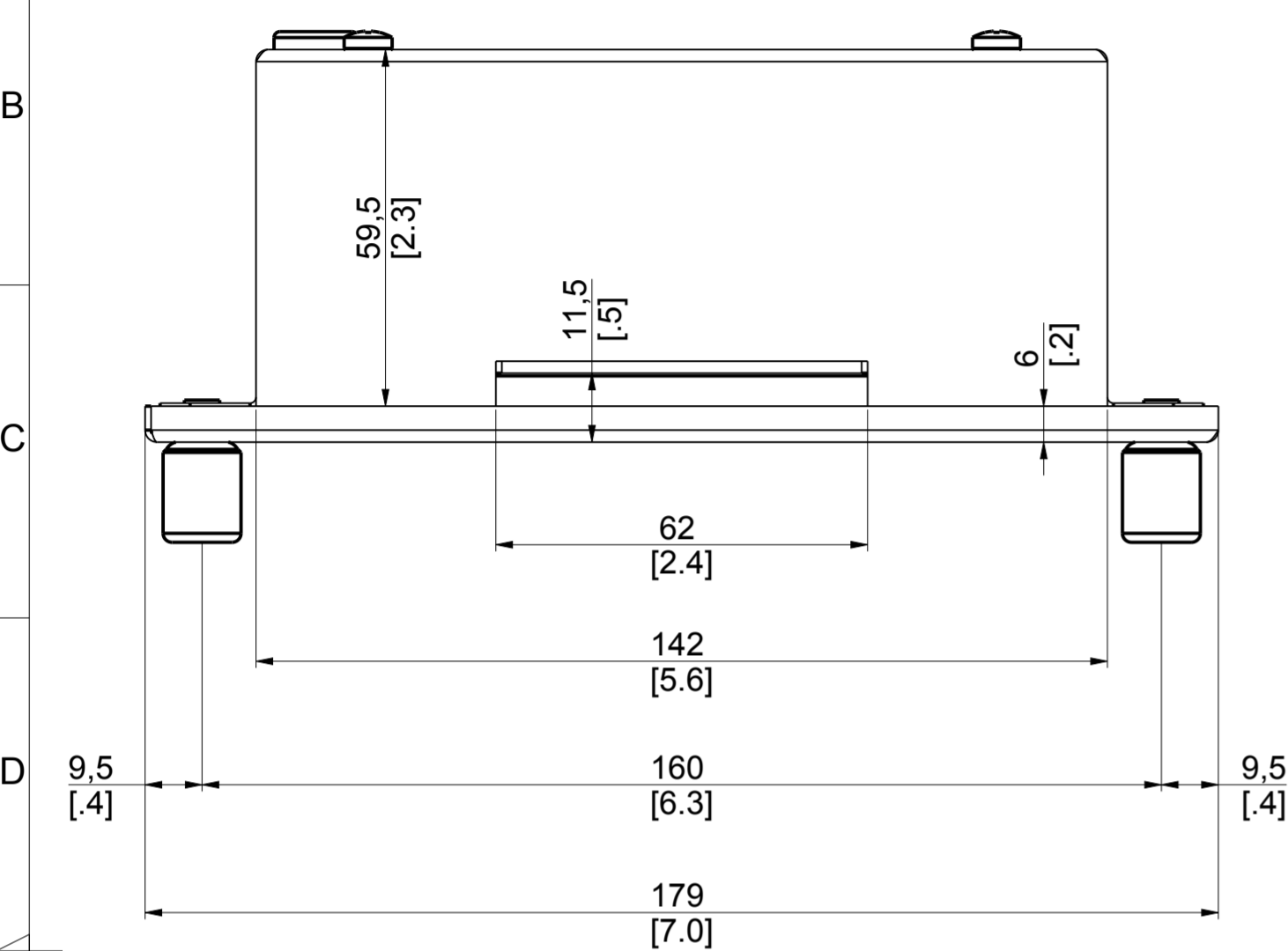


Art no:	Voltage (VAC)	Frequency (Hz)	Current (A)		Power (W)		Maximum AirFlow (CFM) ASSEMBLY		Maximum AirFlow (CFM) FAN ONLY		Noise level (dB/A)		Operating temperature (°C) [°F]	Weight (g) [lbs]
			50Hz	60 Hz	50Hz	60 Hz	50Hz	60 Hz	50Hz	60 Hz	50Hz	60 Hz		
FBF44115V	115v	50/60Hz	0.26	0.24	22	20	74	85	97	117	45	50	-10 [14] to 70 [158]	1387 [3.06]
FBF44230V	230v	50/60Hz	0.14	0.12	22	21	74	85	97	117	45	50	-10 [14] to 70 [158]	1387 [3.06]

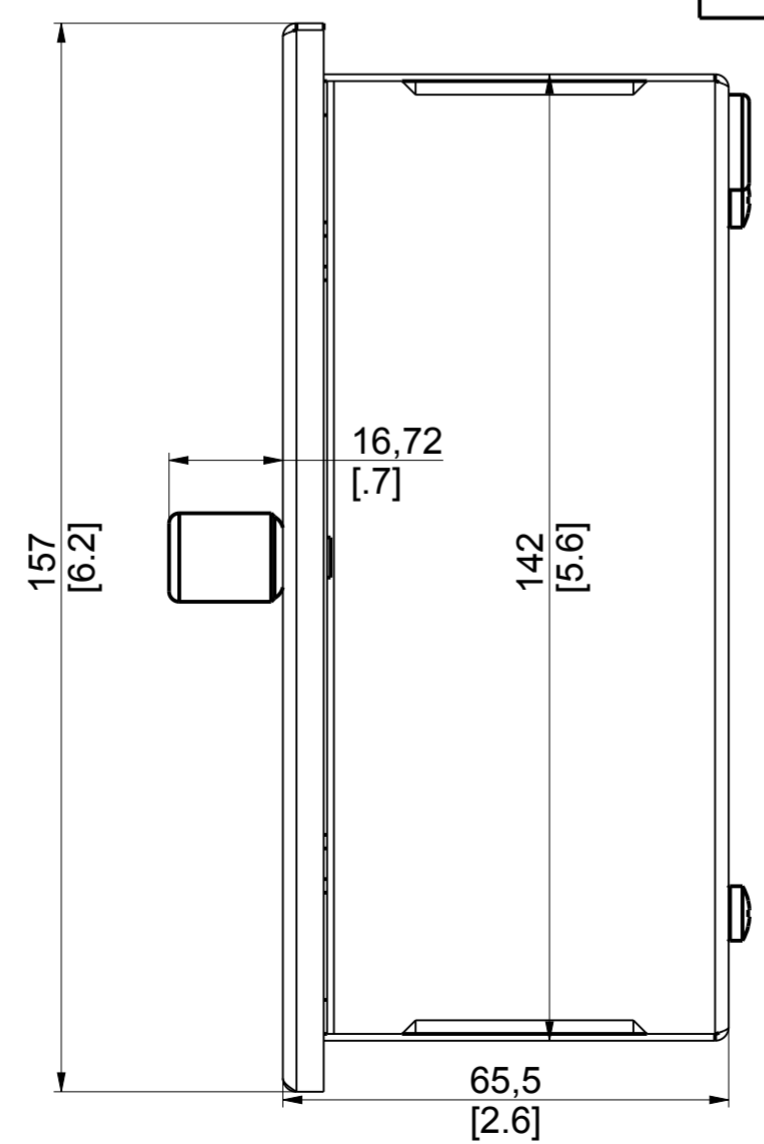
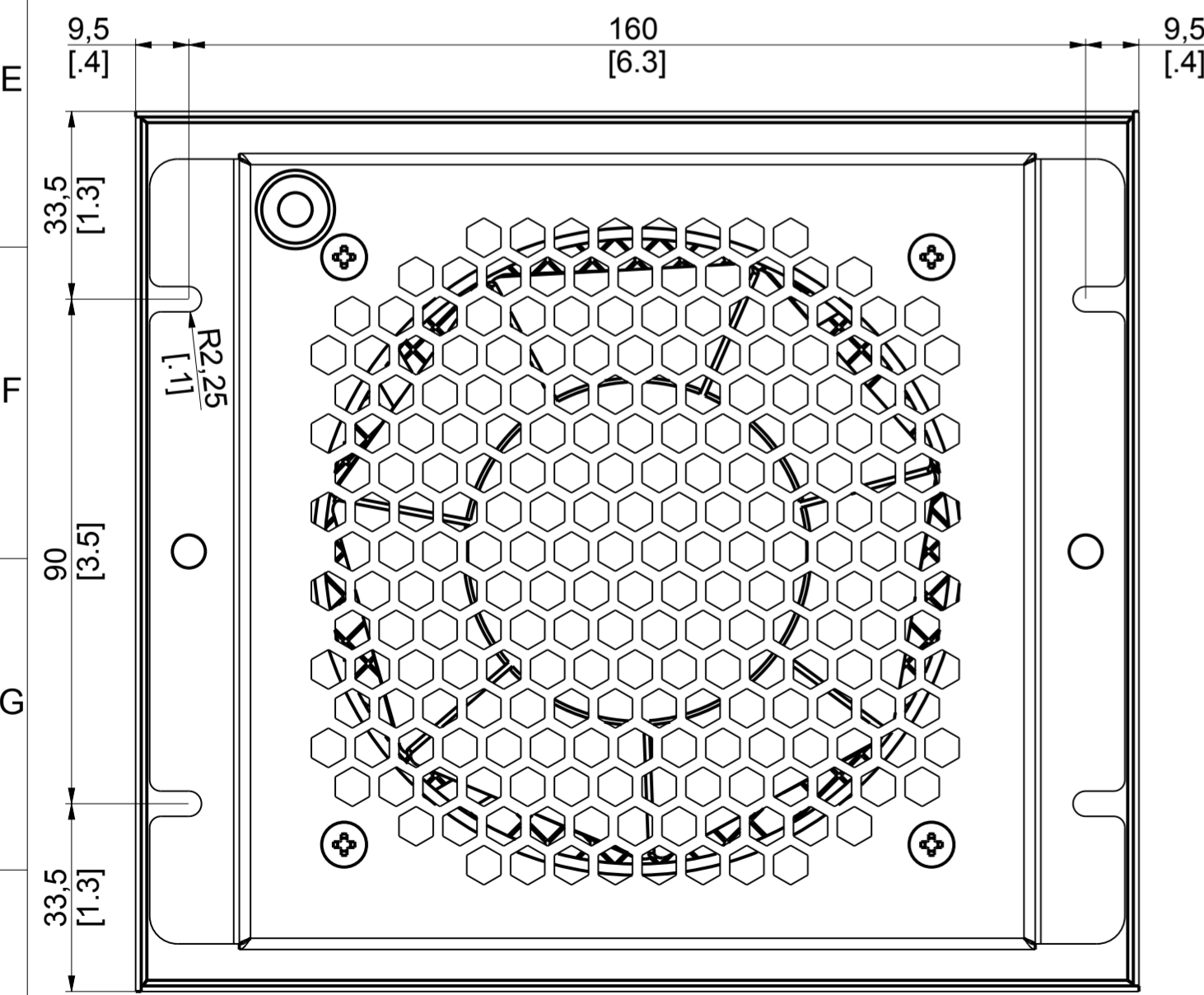
UNLESS OTHERWISE SPECIFIED, DIMENSIONS ARE IN MM. DIMENSIONS W/O TOLERANCES ISO2768-mK AS FOLLOWS. SURFACES ISO1302. TOLERANCES ARE NOT CUMULATIVE.

LINEAR DIMENSIONS							
0.5 to 3	>3 to 6	>6 to 30	>30 to 120	>120 to 400	>400 to 1000	>1000 to 2000	>2000 to 4000
±0.1	±0.1	±0.2	±0.3	±0.5	±0.8	±1.2	±2

ANGULAR DIMENSIONS					BEND DIRECTION	
to 10	>10 to 50	>50 to 120	>120 to 400	>400	↙ ↘	↖ ↗
±1°	±0°30'	±0°20'	±0°10'	±0°5'	BEND OUT	BEND IN



Mounting Cutout



NOTES:
 1. THIS IS A CREO PARAMETRIC DRAWING. ANY CHANGES MUST BE WITHIN PDMLINK.
 2. REMOVE ALL BURRS AND SHARP EDGES.

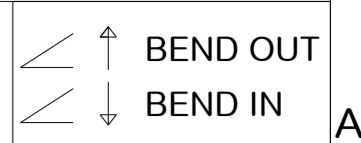
REV	BY	DATE	DESCRIPTION
0.1	DS	13.03.17	Modified Grille

Art.no.:	-		
Material:	-		
Filter Box Fan 5.6" x 5.6" x 2.3" FBF44xxxV			
Designed:	D.Schembri	25.10.2016	FIRST ANGLE PROJECTION
Drawn:	D.Schembri	01.11.2016	SHEET SCALE
Checked:	-	Approved: -	1 of 2 0.900
43776H			ISSUE SIZE
			0.1 A2

43776H	DRAWING	0.1	Work In Progress
FL-51XX_COMPLETE	ASSEM	0.4	Work In Progress
CREO_FILENAME	FILE TYPE	REV	RELEASE



WE RESERVE ALL COPYRIGHT AND OTHER RIGHTS IN THIS DOCUMENT



Electrical connections outlet

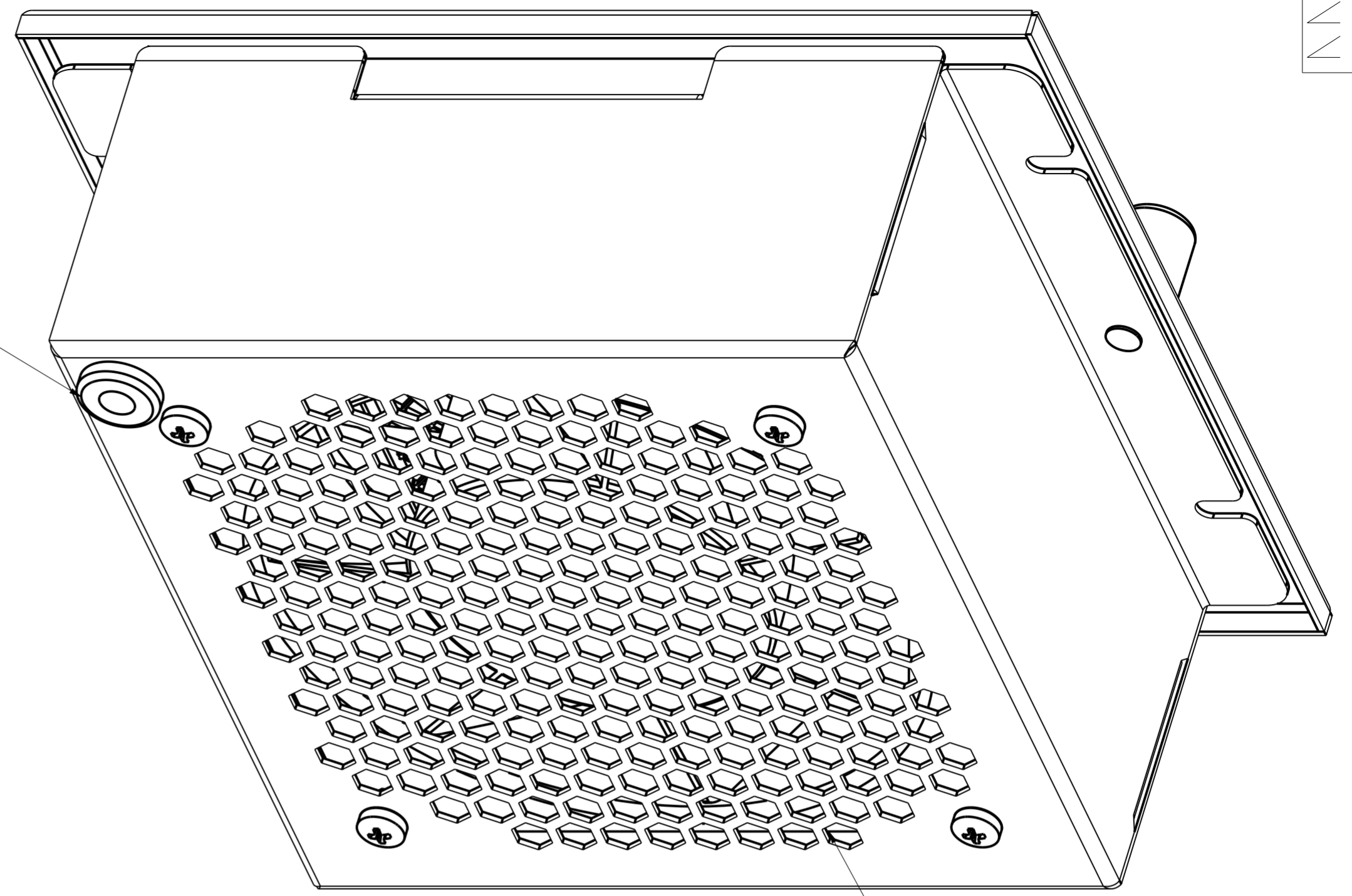
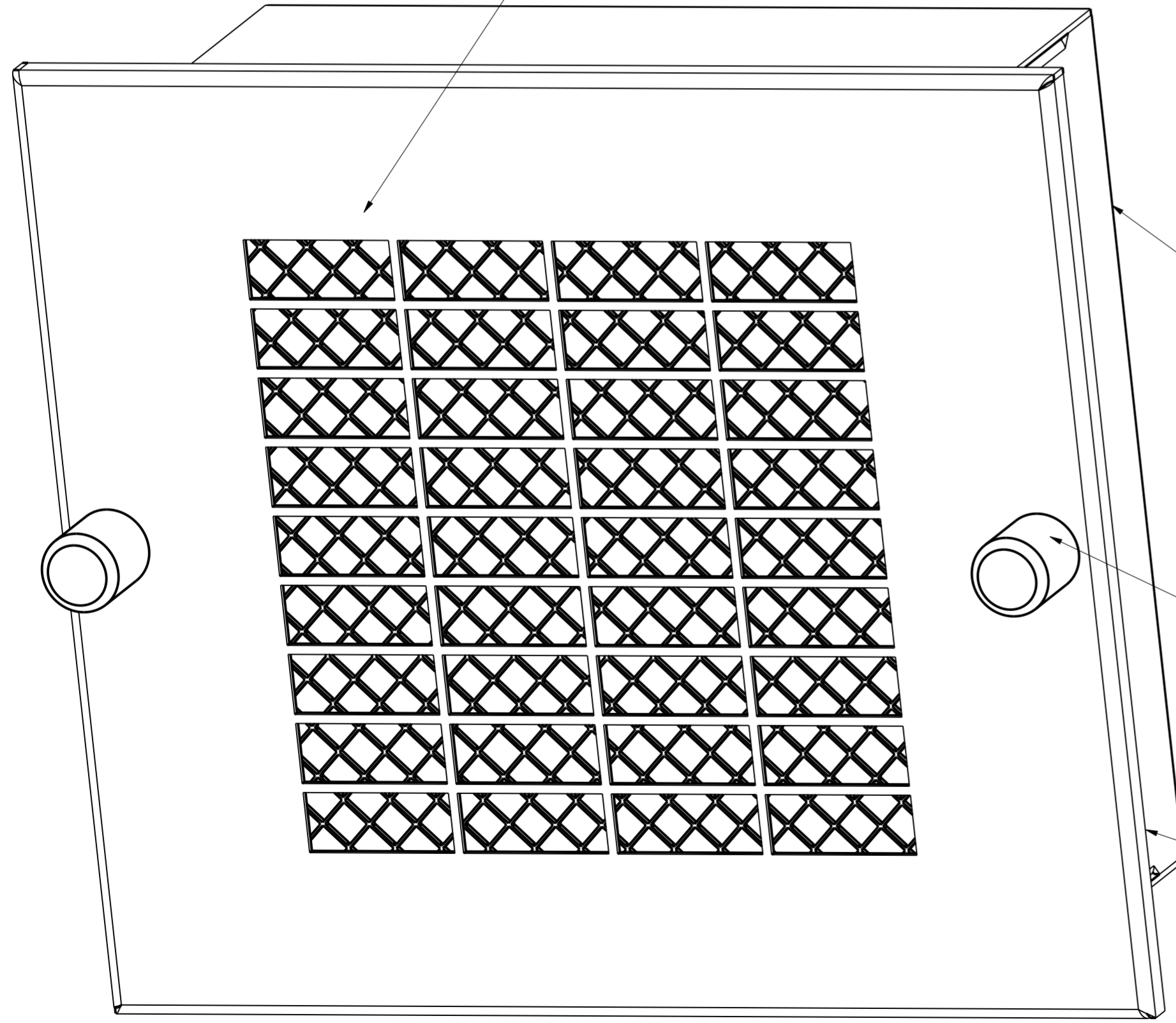
Filter mesh

Carbon steel housing powder coated with ANSI-61 gray urethane polyester

Fan

Captive nuts

Stainless steel grille



Art.no.:	-			
Material:	-			
Filter Box Fan 5.6" x 5.6" x 2.3" FBF44xxxV				
SHEET	SCALE	SIZE	FIRST ANGLE PROJECTION	
2 of 2	1.300	A2		
43776H				



WE RESERVE ALL COPYRIGHT AND OTHER RIGHTS IN THIS DOCUMENT

43776H	DRAWING	0.1	Work In Progress
FL-51XX_COMPLETE	ASSEM	0.4	Work In Progress
CREO FILENAME	FILE TYPE	REV	RELEASE

