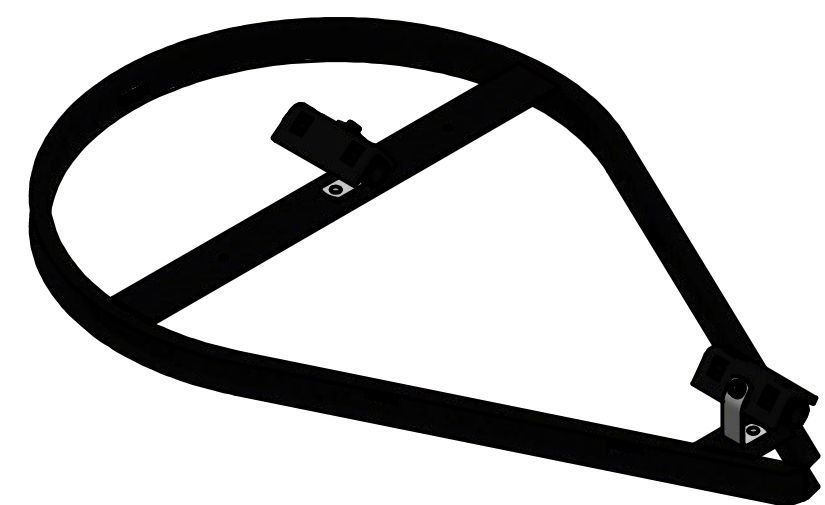
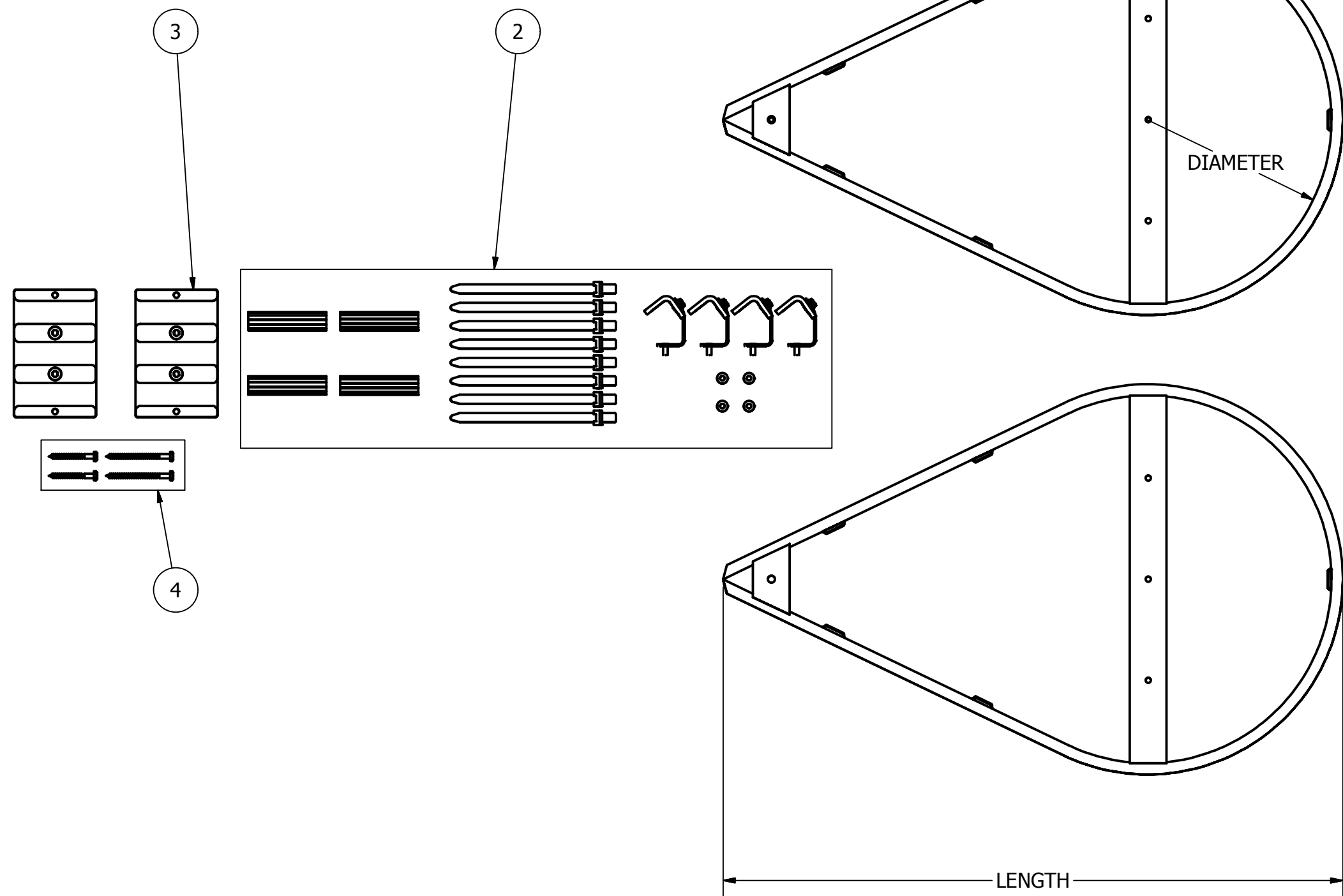


COMPONENTS		
ITEM NUMBER	DESCRIPTION	QUANTITY
1	ALUMINUM SNOWSHOE	2
2	ADSS DIRECT ATTACH HARDWARE KIT	1
3	POLE BLOCK	2
4	POLE BLOCK HARDWARE KIT	1

FIBER OPTIC STORAGE, ALUMINUM ADSS			
CATALOGUE NUMBER	LENGTH	DIAMETER	CABLE GROOVE
	(IN.)	(IN.)	(IN.)
FOS20ADSS	34	20	1.24
FOS24ADSS	38	24	1.24
FOS30ADSS	44	30	1.24



NOTES:

1. MATERIAL:

- SNOWSHOE: POWDER COATED ALUMINUM
- MOUNTING BRACKETS: ALUMINUM
- ADSS HANGERS: UV RESISTANT POLYPROPYLENE
- POLE BLOCK: UV RESISTANT POLYPROPYLENE
- GROMMET: RUBBER
- TIES: DELRIN
- HARDWARE: STAINLESS STEEL

2. NOT FOR USE IN HIGH VOLTAGE ZONE. FOR USE ON ADSS CABLE IN COMMUNICATIONS ZONE ONLY.

3. MOUNT DIRECTLY ON ADSS CABLE USING TEAR-AWAY RUBBER GROMMET AND DELRIN TIES (INCLUDED).

4. ALL DIMENSIONS IN INCHES.

65206	6/1/16	JES	JES
EC #	DATE	CHG BY	RESP ENG
DESC OF DWG: INITIAL RELEASE -- -- --			
REASON (S) FOR CHANGE: -- DISPOSITION OF MAT'L: --			

OPTI-LOOP

CONFIDENTIAL: THIS DRAWING AND ITS CONTENTS ARE CONFIDENTIAL AND THE EXCLUSIVE PROPERTY OF HUBBELL POWER SYSTEMS. NO PUBLICATION, DISTRIBUTION OR COPIES MAY BE MADE WITHOUT THE WRITTEN CONSENT OF HUBBELL POWER SYSTEMS. HUBBELL POWER SYSTEMS UNPUBLISHED ALL RIGHTS RESERVED UNDER THE COPYRIGHT LAWS

HUBBELL POWER SYSTEMS <small>POWER SYSTEMS, INC.</small>			
TITLE FIBER STORAGE ALUMINUM ADSS			
SIZE C	DWG NO. CC-23611	CAT / PART / ASSY NO. SEE CHART	REV 00
DO NOT SCALE THIS DRAWING	DRN BY JES	DATE 6/1/16	SHEET 1 OF 1