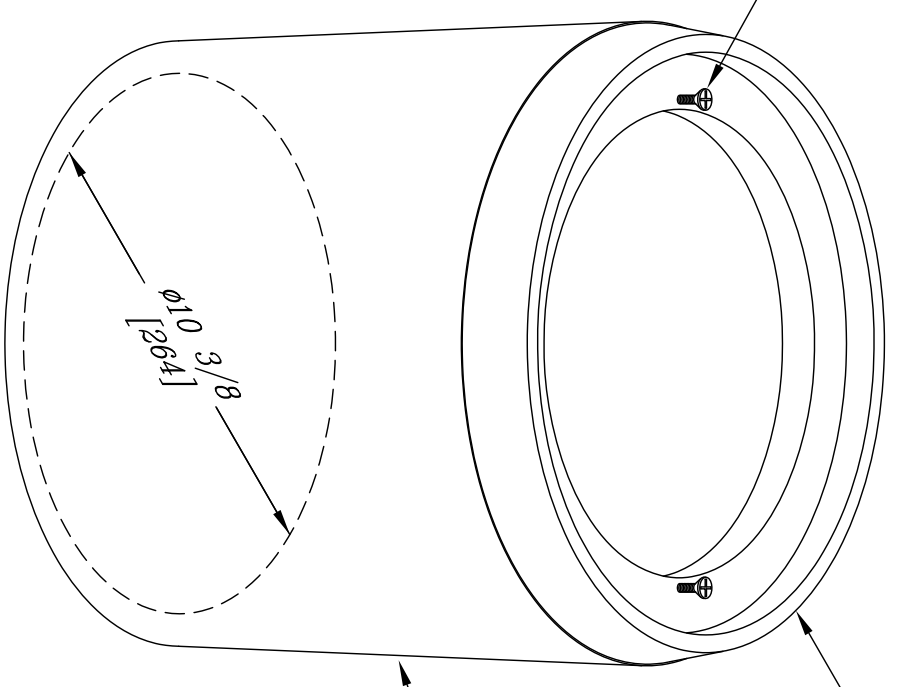


1/4-20 UNC X 3/4 [76] LG.
SS FLAT HEAD SCREW
2 PLACES



CAST IRON RING
WITH 5/8 [16] DEEP
BEARING LEDGE

POLYMER CONCRETE
ENCLOSURE


$\phi 10 \frac{3}{8}$
[264]

NOTE:

1. MEETS H-20 & M306 LOAD REQUIREMENTS, DESIGN LOAD OF 20,800 LBS. [92,518 N] AND PROOF LOAD OF 45,136 LBS [200,765 N].

DIMENSIONS ARE IN INCHES OR MILLIMETERS IN BRACKETS UNLESS OTHERWISE NOTED.

CUSTOMER APPROVAL
APPROVED BY: _____
DATE: _____

DRN		BY	DATE	WEIGHT	SCALE	 3621 INDUSTRIAL PARK DR LENOIR CITY, TN 37771 800-346-3062 www.quazite.com	DRAWING DESCRIPTION HUBBELL $\phi 11$ ROUND ENCLOSURE W/CAST RING	LOC
DRN	BY	DATE	39#	N.T.S.	LC			
CHK	M&G	1/16/19	18kg		S			
ENG								
APR								
ESR OR PROJECT NUMBER		122227		SIZE	B	REV	B	4/20
SHEET 1 OF 1		DRAWING NUMBER		G05110012B				