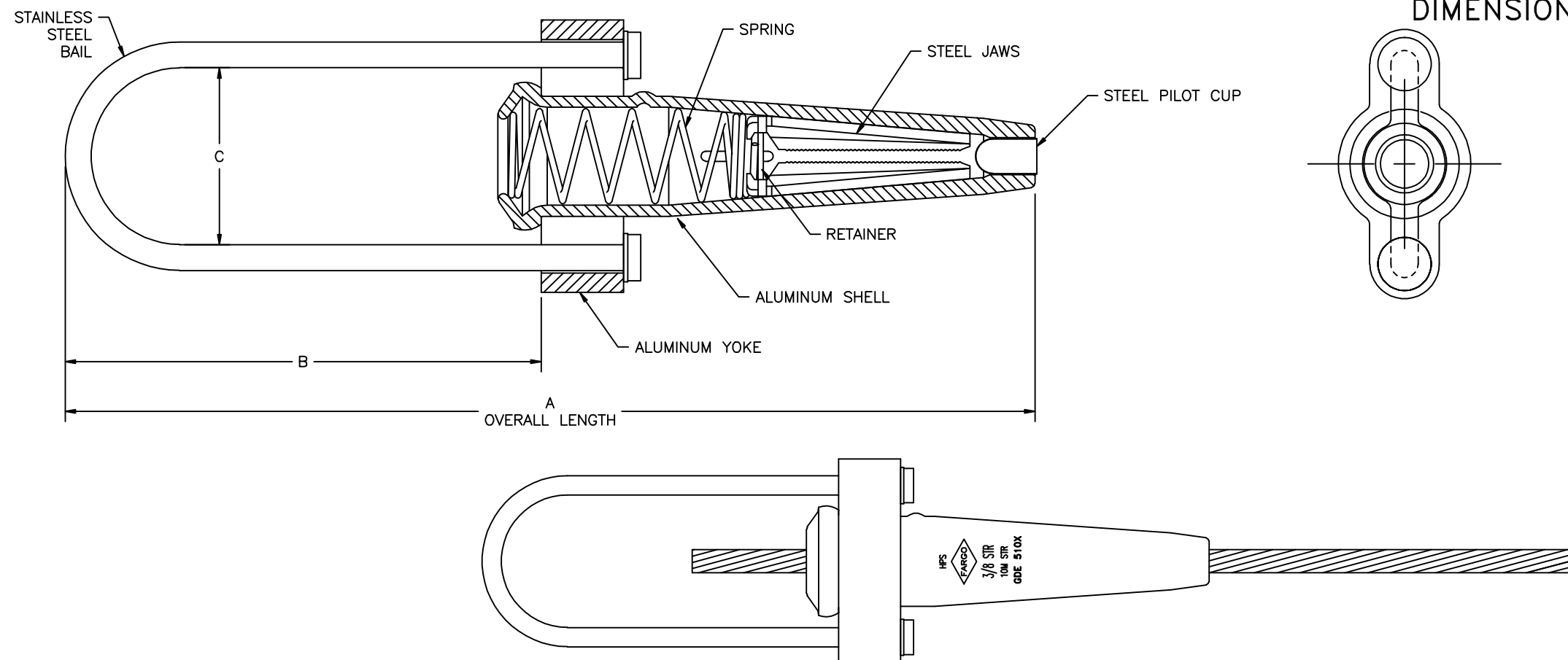


INSTALLATION INSTRUCTIONS:

1. **DO NOT REMOVE THE PILOT CUP.**
IT CONFINES AND GUIDES THE STRANDS FOR EASY INSERTION.
2. STRAND MUST BE CLEAN, STRAIGHT, IN LAY AND FREE OF BURRS.
3. INSERT STRAND INTO PILOT CUP.
NOTE: STRAND DISPLACES PILOT CUP.
4. STRAND SHOULD EXTEND BEYOND GRIPPING UNIT WHEN ADJUSTED TO DESIRED TENSION.

CATALOG NUMBER	PRIMARY STRAND APPLICATION	RANGE (IN)	RANGE (MM)	DIMENSIONS IN INCHES		
				A	B	C
GDE-5100	1/4"	0.240-0.253	6.11-6.44	9.2	5.7	1.4
GDE-5101	5/16"	0.310-0.335	7.89-8.53	9.25	5.6	1.5
GDE-5101L	5/16"	0.310-0.335	7.89-8.53	13.1	9.5	1.5
GDE-5102	3/8"	0.360-0.405	9.16-10.31	11.5	7.1	2.0
GDE-5102L	3/8"	0.360-0.405	9.16-10.31	16.5	12.0	2.0

DIMENSIONS FOR REFERENCE ONLY



17472	03/13/06	BAF	SAS	FARGO® TOLERANCE CHART	HUBBELL® POWER SYSTEMS
EC #	DATE	CHG BY	RESP ENG		
DESC OF DWG: ADDED ITEM GDE-5101L. --- --- --- REASON (S) FOR CHANGE: --- DISPOSITION OF MAT'L: ---				CONFIDENTIAL: THIS DRAWING AND ITS CONTENTS ARE CONFIDENTIAL AND THE EXCLUSIVE PROPERTY OF HUBBELL POWER SYSTEMS. NO PUBLICATION, DISTRIBUTION OR COPIES MAY BE MADE WITHOUT THE WRITTEN CONSENT OF HUBBELL POWER SYSTEMS. HUBBELL POWER SYSTEMS UNPUBLISHED ALL RIGHTS RESERVED UNDER THE COPYRIGHT LAWS.	TITLE SALES DRAWING GDE 510X
SIZE B		DWG NO. CC-17555	CAT / PART / ASSY NO. GDE 510X		REV 02
DO NOT SCALE THIS DRAWING		DRN BY LVC	DATE 8/19/04	SHEET 1 OF 1	