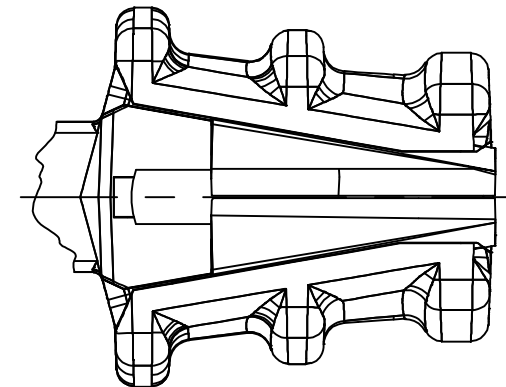


COMP. NO.	QTY.	DESCRIPTION
1	1	BODY
2	1	JAW (WITH FINGER PULL)
3	1	JAW (WITHOUT FINGER PULL)
4	1	JAW FLOATER
5	1	SPRING, SS
6	1	PIN, COTTER
7	1	PIN, CLEVIS, GALV. STEEL



SHIP IN CLOSED POSITION

CATALOG NUMBER	CONDUCTOR RANGE		DECIMAL RANGE INCHES (MM)		ULTIMATE STRENGTH (LBS.)		DIMENSIONS INCHES (MM)					
	MINIMUM	MAXIMUM	MINIMUM	MAXIMUM	BODY	SAG EYE	A	B	C	D	E	F
GDW420A GDW420	#4 STR AAC #4 AAC #4 ACSR #4 STR CU	2/0 STR AAC 2/0 AAC 2/0 ACSR 2/0 STR CU	.23 (5.8)	.45 (11.4)	6,000	4,000	9.46 (240.1)	2.96 (75.1)	3.97 (100.8)	.75 (19.2)	1.58 (40.1)	1.35 (34.3)
GDW440A GDW440	#4 STR AAC #4 AAC #4 ACSR #4 STR CU	4/0 STR AAC 4/0 AAC 4/0 ACSR 3/0 STR CU	.23 (5.8)	.57 (14.5)	9,000	6,000	9.84 (249.8)	3.31 (84.0)	4.08 (103.6)	.76 (19.2)	1.69 (42.9)	1.36 (34.6)

NOTES:

- MATERIAL: BODY AND JAW - HIGH STRENGTH ALUMINUM ALLOY
CLEVIS PIN - GALVANIZED STEEL
COTTER PIN - STAINLESS STEEL

2 FOR PLATED JAWS REMOVE SUFFIX "A" FROM CATALOG NUMBER.

35122	3/23/10	BAF	DJS	ANDERSON TOLERANCE CHART	HUBBELL POWER SYSTEMS
EC #	DATE	CHG BY	RESP ENG		
DESC OF DWG CHANGES PER MARKUP.				CONFIDENTIAL: THIS DRAWING AND ITS CONTENTS ARE CONFIDENTIAL AND THE EXCLUSIVE PROPERTY OF HUBBELL POWER SYSTEMS. NO PUBLICATION, DISTRIBUTION OR COPIES MAY BE MADE WITHOUT THE WRITTEN CONSENT OF HUBBELL POWER SYSTEMS. UNPUBLISHED ALL RIGHTS RESERVED UNDER THE COPYRIGHT LAWS.	TITLE GDW420A/GDW440A SINGLE LEG, WEDGE TYPE DEADEND
REASON(S) FOR CHANGE: -- DISPOSITION OF MAT'L: --					
SIZE	DWG NO.	CAT / PART / ASSY NO.	REV		
C	CC-19265	SEE CHART	1		
DO NOT SCALE THIS DRAWING	DRN BY BAF	DATE 3/5/10	SHEET 1 OF 1		