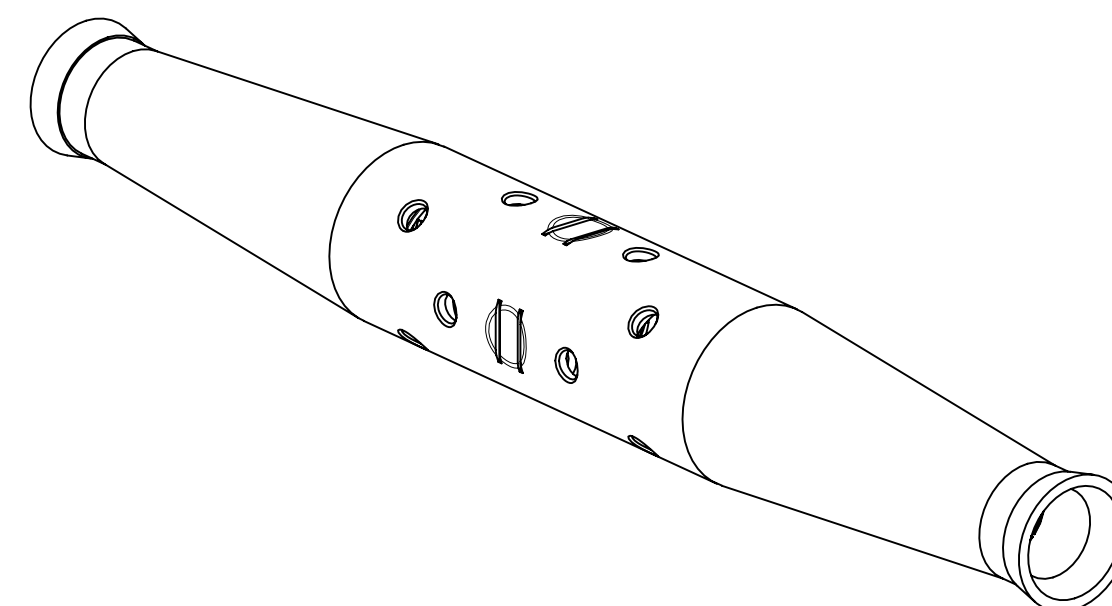
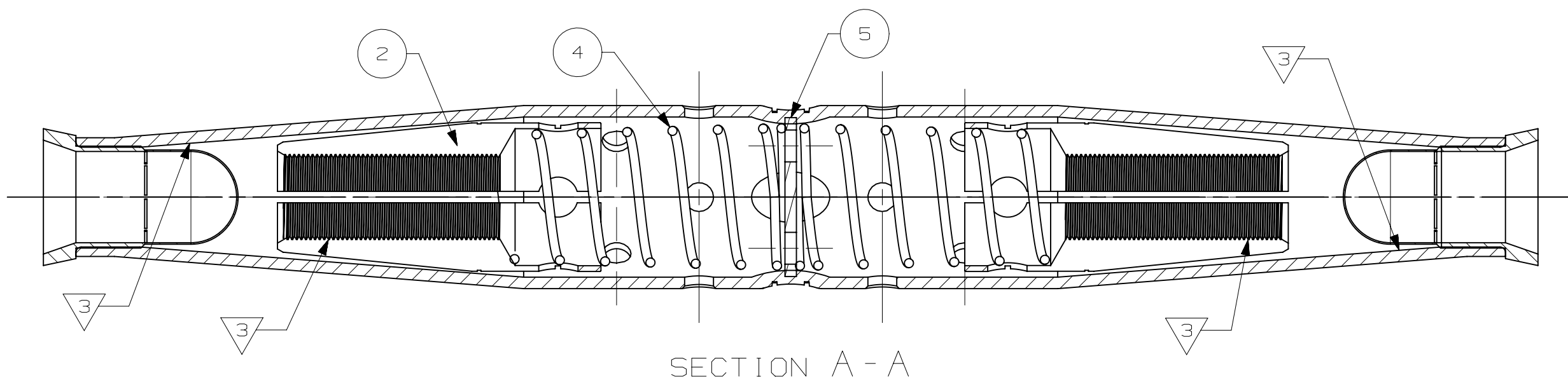
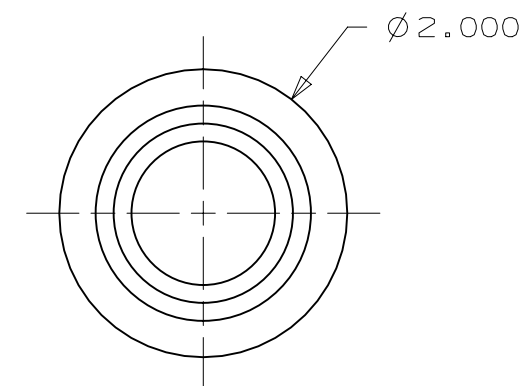
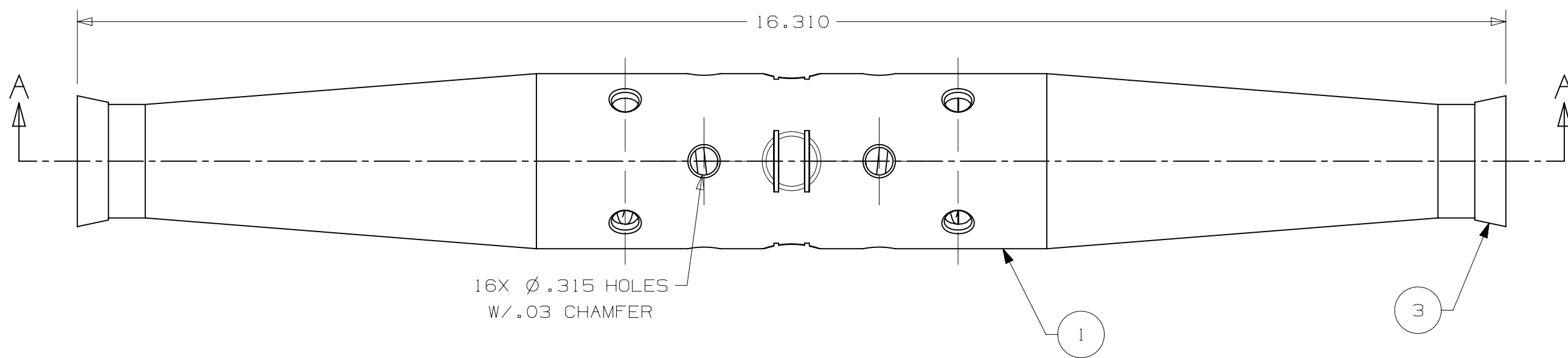


ITEM NO.	DESCRIPTION	QTY.
1	GL1333A TUBE - SWAGED WITH HOLES	1
2	FINISHED CONE JAW	2
3	PLASTIC PILOT CUP	2
4	SS CLOSED END SPRING	2
5	CENTER STOP	1

NOTES:

- CONDUCTOR APPLICATION: FOR 556.5 (18/1) kcmil ACSR, CONSULT FARGO FOR AAAC AND 636 kcmil AWG AAC CONDUCTORS (.840-.920 DIAMETER) COLOR: NATURAL.
- PULL TESTED TO ANSI C119.4, SEQUENCE TESTED: SALT FOG TESTED TO ASTM G85, HEAT CYCLED PER ANSI C119.4, AND FAULT CURRENT TESTED.

3 INHIBITOR APPLIED TO JAW TEETH AND INSIDE OF TUBE.



SCALE 1:2

EC #	REV	DESCRIPTION	DATE	CHG BY	APPR'd
39097	00	DETAIL NEW UG ASSEMBLY.	2/08/11	BAF	DJS

REVISION HISTORY

HPS
TOLERANCE CHART

0.0	±0.010	ANGLES: ±30°
0.00	±0.005	DO NOT USE FRACTIONS EXCEPT AS NOTED
0.000	±0.015	

CONFIDENTIAL: THIS DRAWING AND ITS CONTENTS ARE CONFIDENTIAL AND THE EXCLUSIVE PROPERTY OF HUBBELL POWER SYSTEMS. NO PUBLICATION, DISTRIBUTION OR COPIES MAY BE MADE WITHOUT THE WRITTEN CONSENT OF HUBBELL POWER SYSTEMS. HUBBELL POWER SYSTEMS UNPUBLISHED ALL RIGHTS RESERVED UNDER THE COPYRIGHT LAWS.

HUBBELL POWER SYSTEMS

TITLE: KORROSION RESISTANT AUTO SPLICE

SIZE	DWG NO.	CAT / PART / ASSY NO.	REV
C	CC-19620	GL1333AKR	00

SCALE: NONE DRN BY: BAF DATE: 1/31/11 SHEET 1 OF 1

