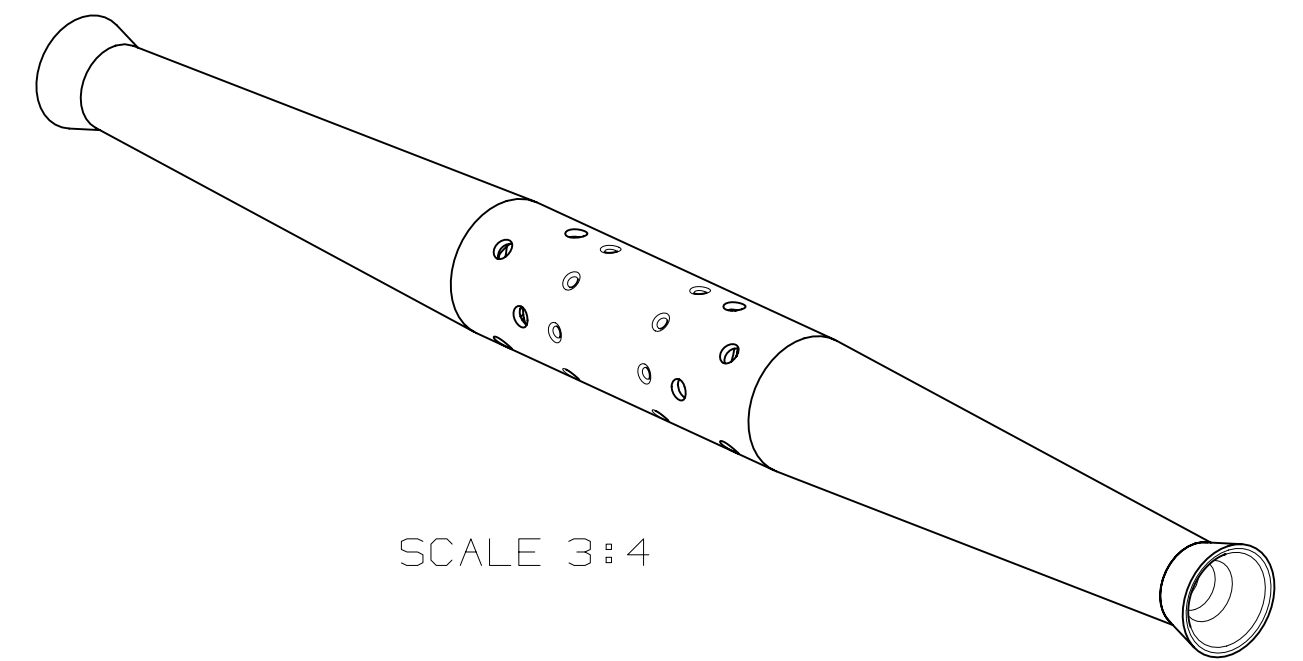
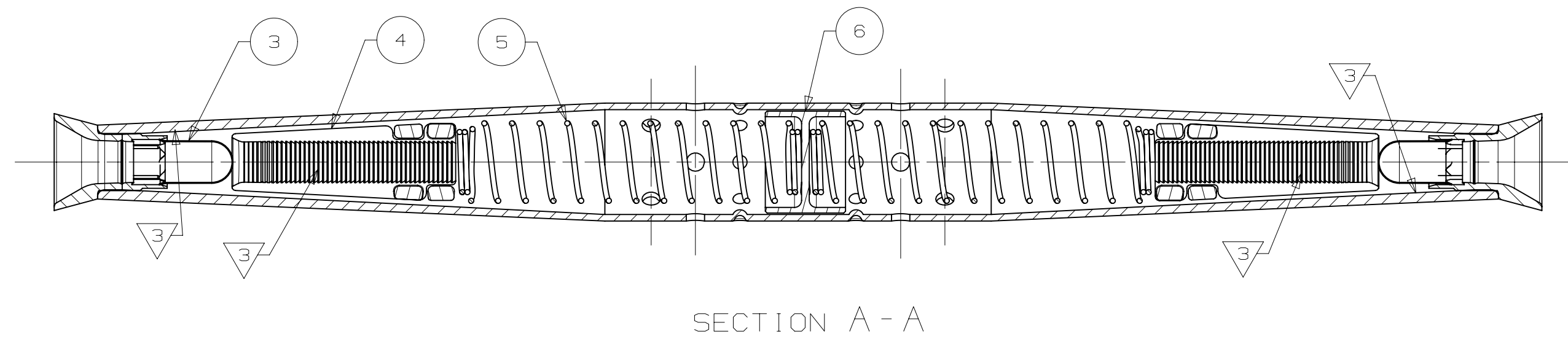
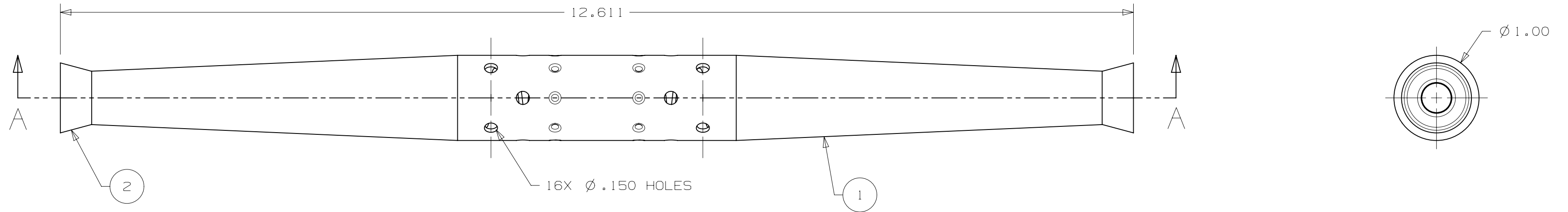


ITEM NO.	DESCRIPTION	QTY.
1	TUBE - SWAGED WITH HOLES	1
2	NOSE GUIDE	2
3	SS PILOT CUP	2
4	JAW	4
5	SS CLOSED END SPRING	2
6	CENTER STOP	1

NOTES:

- CONDUCTOR APPLICATION: FOR #2 AWG ACSR, AAAC AND AAC CONDUCTORS (.280-.320 DIAMETER) COLOR: RED-ORANGE.
 - REPRESENTATIVE SIZES HAVE BEEN SALT FOG TESTED TO ASTM B117/G85 SEC. A3, HEAT CYCLE TESTED TO ANSI C119.4 & FAULT CURRENT SEQUENCE TESTED. MECHANICAL PULL TESTED TO ANSI C119.4.
- ▽ 3 INHIBITOR APPLIED TO JAW TEETH AND INSIDE OF TUBE.



EC #	REV	DESCRIPTION	DATE	CHG BY	APPR'd
43506	00	NEW UG ASSEMBLY MODEL.	12/22/11	BAF	DJS

REVISION HISTORY

<p>HPS TOLERANCE CHART</p> <p>0.0 ±0.010 ANGLES: 30° 0.00 ±0.000 DO NOT USE FRACTIONS EXCEPT AS NOTED</p>		<p>HUBBELL POWER SYSTEMS</p>	
<p>CONFIDENTIAL: THIS DRAWING AND ITS CONTENTS ARE CONFIDENTIAL AND THE EXCLUSIVE PROPERTY OF HUBBELL POWER SYSTEMS. NO PUBLICATION, DISTRIBUTION OR COPIES MAY BE MADE WITHOUT THE WRITTEN CONSENT OF HUBBELL POWER SYSTEMS. HUBBELL POWER SYSTEMS UNPUBLISHED ALL RIGHTS RESERVED UNDER THE COPYRIGHT LAWS.</p>		<p>TITLE KORROSION RESISTANT AUTO SPLICE</p>	
<p>SIZE DWG NO. C CC-20164</p>	<p>CAT / PART / ASSY NO. GL404AKR</p>	<p>REV 00</p>	<p>SCALE: NONE DRN BY: BAF DATE: 12/22/11 SHEET 1 OF 1</p>

