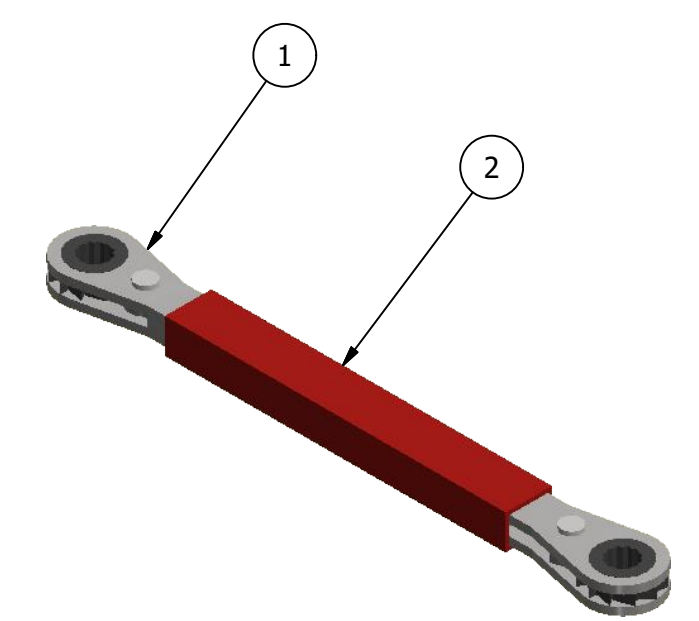
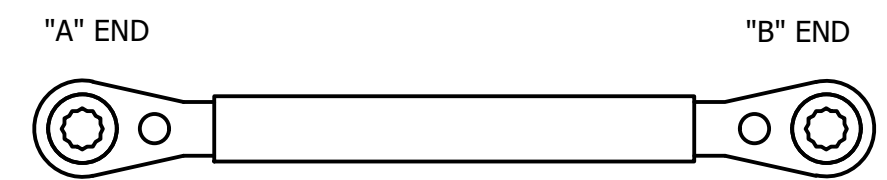


CATALOG NO.	"A" END DESCRIPTION	FIG. NO.	"C"	"B" END DESCRIPTION	FIG. NO.	"C"	"L" APPROX.	WEIGHT	STANDARD PACK
GP201*	3/8" Ratchet	1	ONE PIECE	9/16" Ratchet	1	ONE PIECE	6.750 [171.79]	0.750 [0.34]	6
GP203*	9/16" Ratchet	1	ONE PIECE	3/4" Ratchet	1	ONE PIECE	6.750 [171.79]	0.750 [0.34]	6
GP2031*	1/2" Ratchet	1	ONE PIECE	9/16" Ratchet	1	ONE PIECE	6.750 [171.79]	0.750 [0.34]	5
GP204*	11/16" Ratchet	1	ONE PIECE	15/16" Ratchet	1	ONE PIECE	9.250 [235.41]	0.750 [0.34]	5
GP216*	11/16" Ratchet	1	ONE PIECE	15/16" Ratchet	1	ONE PIECE	9.250 [235.41]	0.750 [0.34]	1
GP209	3/8" Allen Ratchet	4	1.210 [30.79]	Eye Loop	9	1.000 [25.45]	7.500 [190.88]	0.750 [0.34]	10
GP2090P	3/8" Allen Ratchet	4	1.210 [30.79]	Penta Socket	6	2.000 [50.90]	8.750 [222.69]	1.000 [0.45]	5
GP2090P4	3/8" Allen Ratchet	4	1.710 [43.52]	Penta Socket	6	2.000 [50.90]	8.750 [222.69]	1.000 [0.45]	10
GP2090P90	3/8" Allen Ratchet	4	1.210 [30.79]	90° Penta Socket	7	2.500 [63.63]	9.250 [235.41]	1.000 [0.45]	5
GP2091P	Penta Socket	6	1.910 [48.61]	Eye Loop	9	1.000 [25.45]	7.500 [190.88]	0.750 [0.34]	5
GP2091P90	90 Penta Socket	7	2.370 [60.32]	Eye Loop	9	1.000 [25.45]	8.000 [203.60]	0.750 [0.34]	5
GP2092M	3/8" Allen Ratchet	4	1.210 [30.79]	3/8" Allen Bar	3	1.250 [31.81]	8.000 [203.60]	0.750 [0.34]	1
GP2093	5/16" Allen Ratchet	4	1.460 [37.16]	Eye Loop	9	1.000 [25.45]	7.750 [197.24]	0.750 [0.34]	5
GP2093P	5/16" Allen Ratchet	4	1.460 [37.16]	Penta Socket	6	2.000 [50.90]	9.000 [229.05]	1.000 [0.45]	5
GP2093P90	5/16" Allen Ratchet	4	1.460 [37.16]	90° Penta Socket	7	2.500 [63.63]	9.250 [235.41]	1.000 [0.45]	10
GP210	3/16" Allen Bar	3	1.250 [31.81]	Eye Loop	9	1.000 [25.45]	6.750 [171.79]	0.500 [0.23]	5
GP2101	1/4" Allen Bar	3	1.880 [47.85]	Eye Loop	9	1.000 [25.45]	7.380 [187.82]	0.500 [0.23]	25
GP221	3/8" Ratchet	1	2.250 [57.26]	9/16" Ratchet	1	2.250 [57.26]	9.000 [229.05]	0.750 [0.34]	10
GP2210	3/8" Ratchet	1	2.250 [57.26]	7/16" Ratchet	1	2.250 [57.26]	9.000 [229.05]	0.750 [0.34]	5
GP2212	1/2" Ratchet	1	2.250 [57.26]	9/16" Ratchet	1	2.250 [57.26]	9.000 [229.05]	0.750 [0.34]	5
GP2213	5/16" Ratchet	1	2.000 [50.90]	3/8" Ratchet	1	2.000 [50.90]	8.500 [216.33]	0.750 [0.34]	1
GP2213AR	3/8" Allen Ratchet	4	1.210 [30.79]	5/16" Allen Ratchet	4	1.210 [30.79]	9.000 [229.05]	0.750 [0.34]	5
GP2214	3/8" Ratchet	1	2.000 [50.90]	1/2" Ratchet	1	2.000 [50.90]	8.500 [216.33]	0.750 [0.34]	5
GP2215P	3/8" Reversible Ratchet	2	2.250 [57.26]	Penta Socket	6	2.000 [50.90]	8.750 [222.69]	1.000 [0.45]	5
GP223	9/16" Ratchet	1	2.250 [57.26]	3/4" Ratchet	1	2.250 [57.26]	9.000 [229.05]	0.750 [0.34]	20
GP2231	9/16" Ratchet	1	2.250 [57.26]	11/16" Ratchet	1	2.250 [57.26]	9.000 [229.05]	0.750 [0.34]	5
GP2232	3/4" Ratchet	1	2.250 [57.26]	11/16" Ratchet	1	2.250 [57.26]	9.000 [229.05]	0.750 [0.34]	5
GP2233	9/16" Ratchet	1	2.250 [57.26]	5/8" Ratchet	1	2.250 [57.26]	9.000 [229.05]	0.750 [0.34]	5
GP2234	1/2" Ratchet	1	2.250 [57.26]	5/8" Ratchet	1	2.250 [57.26]	9.000 [229.05]	0.750 [0.34]	25
GP2235	5/8" Ratchet	1	2.250 [57.26]	11/16" Ratchet	1	2.250 [57.26]	9.000 [229.05]	0.750 [0.34]	5
GP2236	5/8" Ratchet	1	2.250 [57.26]	13/16" Ratchet	1	2.750 [69.99]	9.500 [241.78]	0.750 [0.34]	5
GP2237	5/8" Ratchet	1	2.250 [57.26]	3/4" Ratchet	1	2.250 [57.26]	9.000 [229.05]	0.750 [0.34]	10
GP2238	3/4" Ratchet	1	2.250 [57.26]	13/16" Ratchet	1	2.750 [69.99]	9.500 [241.78]	0.750 [0.34]	10
GP224	3/4" Ratchet	1	2.250 [57.26]	7/8" Ratchet	1	2.750 [69.99]	9.500 [241.78]	1.000 [0.45]	5
GP2240	13/16" Ratchet	1	2.750 [69.99]	7/8" Ratchet	1	2.750 [69.99]	10.000 [254.50]	1.000 [0.45]	10
GP2241P90	13/16" Ratchet	1	2.750 [69.99]	90° Penta Socket	7	2.500 [63.63]	9.750 [248.14]	1.000 [0.45]	1
GP2242	11/16" Ratchet	1	2.250 [57.26]	15/16" Ratchet	1	2.750 [69.99]	9.500 [241.78]	1.000 [0.45]	25
GP2243	13/16" Ratchet	1	2.750 [69.99]	15/16" Ratchet	1	2.750 [69.99]	10.000 [254.50]	1.000 [0.45]	10
GP2245	7/8" Ratchet	1	2.750 [69.99]	15/16" Ratchet	1	2.750 [69.99]	10.000 [254.50]	1.000 [0.45]	5
GP239	5/16" Rev. Allen Ratchet	5	1.000 [25.45]	5/16" Rev. Allen Ratchet	5	1.000 [25.45]	9.000 [229.05]	1.000 [0.45]	10
GP240	5/16" Rev. Allen Ratchet	5	1.500 [38.18]	3/8" Rev. Allen Ratchet	5	1.380 [35.12]	9.000 [229.05]	1.000 [0.45]	5
GP240P1	3/8" Rev. Allen Ratchet	5	1.000 [25.45]	Penta Socket	6	2.000 [50.90]	8.750 [222.69]	1.000 [0.45]	1
GP241P	5/16" Rev. Allen Ratchet	5	1.500 [38.18]	Penta Socket	6	2.000 [50.90]	8.750 [222.69]	1.000 [0.45]	5
GP241P1	5/16" Rev. Allen Ratchet	5	2.000 [50.90]	Penta Socket	6	2.000 [50.90]	8.750 [222.69]	1.000 [0.45]	10
GP241P2	5/16" Rev. Allen Ratchet	5	1.000 [25.45]	Penta Socket	6	2.000 [50.90]	8.750 [222.69]	1.000 [0.45]	10
GP241P3	5/16" Rev. Allen Ratchet	5	2.500 [63.63]	Penta Socket	6	2.000 [50.90]	8.750 [222.69]	1.000 [0.45]	10
GP241P90	5/16" Rev. Allen Ratchet	5	1.500 [38.18]	90° Penta Socket	7	2.500 [63.63]	9.250 [235.41]	1.000 [0.45]	10
GP241PS58	5/16" Rev. Allen Ratchet	5	0.630 [15.91]	Penta Socket	6	2.000 [50.90]	8.750 [222.69]	1.000 [0.45]	1
GP241S	5/16" Rev. Allen Ratchet	5	1.500 [38.18]	Eye Loop	9	1.000 [25.45]	7.750 [197.24]	0.750 [0.34]	5
GP241S3GP	3/8" Rev. Allen Ratchet	5	1.000 [25.45]	Eye Loop	9	1.000 [25.45]	9.000 [229.00]	0.750 [0.34]	10
GP241S58	5/16" Rev. Allen Ratchet	5	0.630 [15.91]	Eye Loop	9	1.000 [25.45]	7.750 [197.24]	0.750 [0.34]	10
GP242P	5/16" Rev. Allen Ratchet	5	1.750 [44.54]	90° Penta Rev. Ratchet	8	2.750 [69.99]	9.000 [229.00]	1.000 [0.45]	5
GP242P1	3/8" Rev. Allen Ratchet	5	1.380 [35.12]	90° Penta Rev. Ratchet	8	2.750 [69.99]	9.000 [229.00]	1.000 [0.45]	5
GP242P2	5/16" Rev. Allen Ratchet	5	2.000 [50.90]	90° Penta Rev. Ratchet	8	2.750 [69.99]	9.000 [229.00]	1.000 [0.45]	5
GP243P	5/16" Rev. Allen Ratchet	5	1.000 [25.45]	90° Penta Socket	7	2.500 [63.63]	9.250 [235.41]	1.000 [0.45]	5
GP516A	5/16" Rev. Allen Ratchet	5	2.50 [63.50]	5/16" Allen Bar	3	2.360 [59.90]	9.110 [231.39]	0.500 [0.23]	1

ITEM	DESCRIPTION	MATERIAL
1	WRENCH HEAD	VARIES
2	HANDLE	POLYPROPYLENE



NOTES:

- ALL DIMENSIONS FOR REFERENCE ONLY. DISTANCE IN. [MM], FORCE LBS. [KN], TORQUE IN. LBS. [N.m], & WEIGHT LBS. [KG].
- RATINGS:  
A. NA
- CERTIFICATIONS, SPECIFICATIONS, & STANDARDS  
A. NA
- SUFFIXS & VARIANT CONFIGURATION:  
A. NA
- \*THESE WRENCHES DO NOT HAVE POLYPROPYLENE HANDLE

79091	07/03/19	HD	RG
EC #	DATE	CHG BY	RESP ENG
DESC OF DWG: INITIAL RELEASE			
REASON (S) FOR CHANGE: DISPOSITION OF MAT'L:			

HPS.  
CONFIDENTIAL: THIS DRAWING AND ITS CONTENTS ARE CONFIDENTIAL AND THE EXCLUSIVE PROPERTY OF HUBBELL POWER SYSTEMS. NO PUBLICATION, DISTRIBUTION OR COPIES MAY BE MADE WITHOUT THE WRITTEN CONSENT OF HUBBELL POWER SYSTEMS. HUBBELL POWER SYSTEMS UNPUBLISHED ALL RIGHTS RESERVED UNDER THE COPYRIGHT LAWS

**HUBBELL® HUBBELL® POWER SYSTEMS**

TITLE: **GP FARGO CONNECTOR WRENCHES**

SIZE: <b>C</b>	DWG NO.: <b>CC-26157</b>	CAT / PART / ASSY NO.: <b>SEE CHART</b>	REV: <b>00</b>
DO NOT SCALE THIS DRAWING	DRN BY: <b>SP</b>	DATE: <b>04/25/19</b>	SHEET: <b>1 OF 2</b>

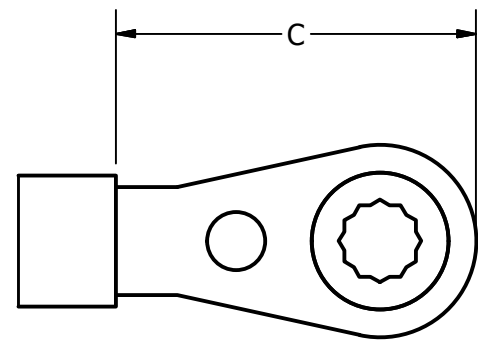
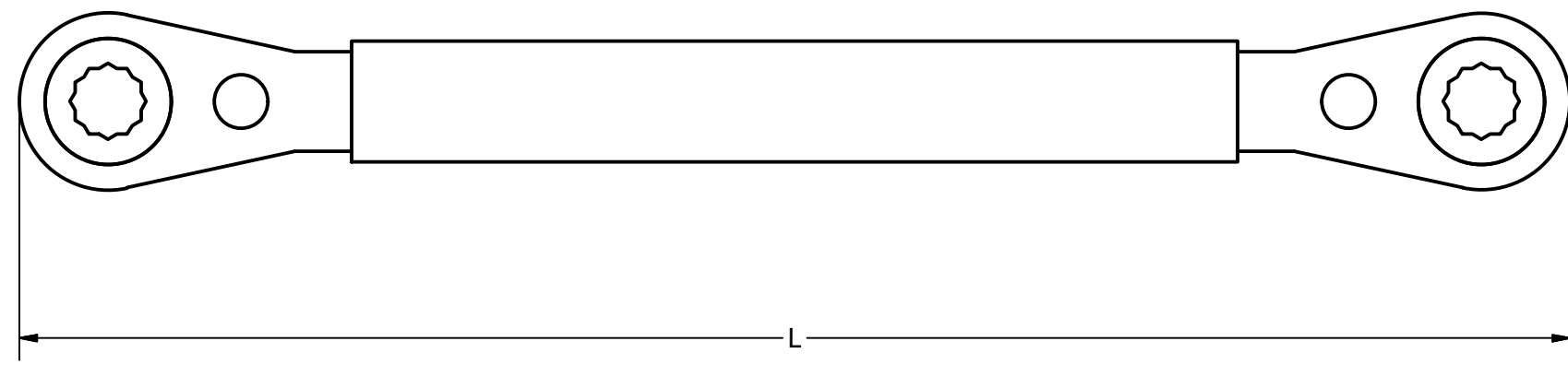


FIGURE 1  
RATCHET

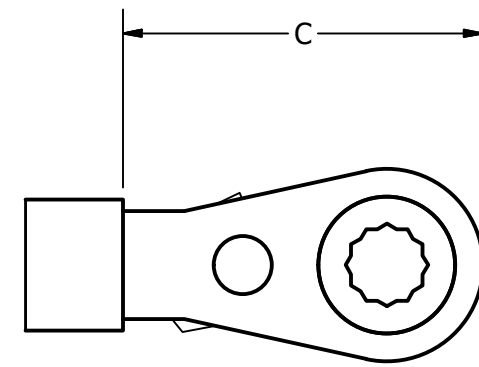


FIGURE 2  
REV. RATCHET

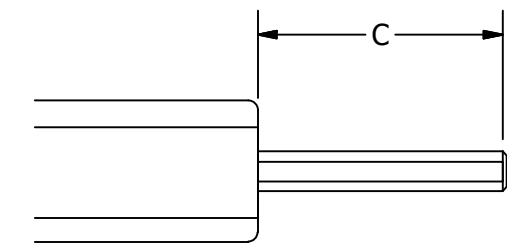
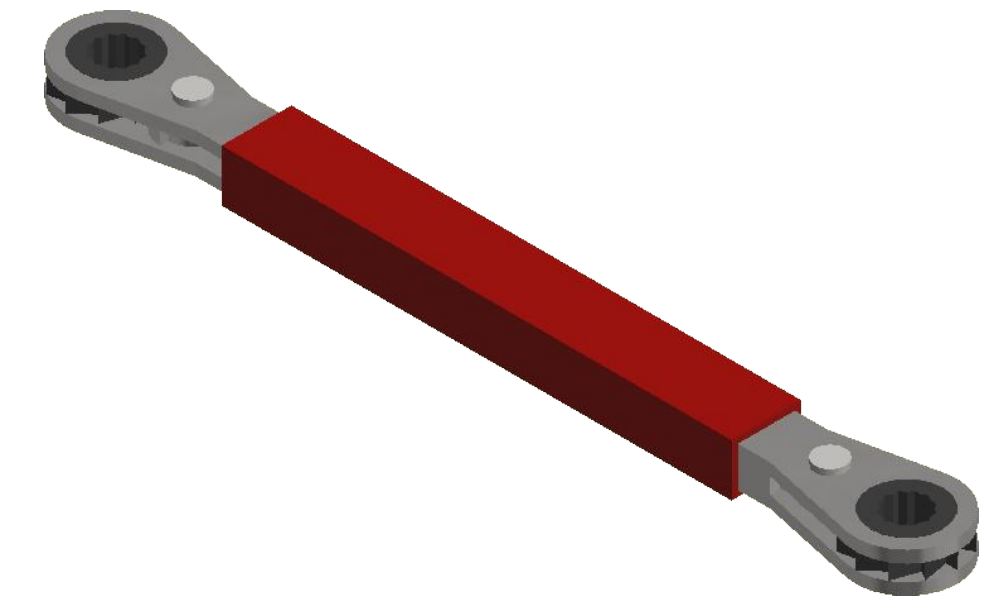


FIGURE 3  
ALLEN BAR

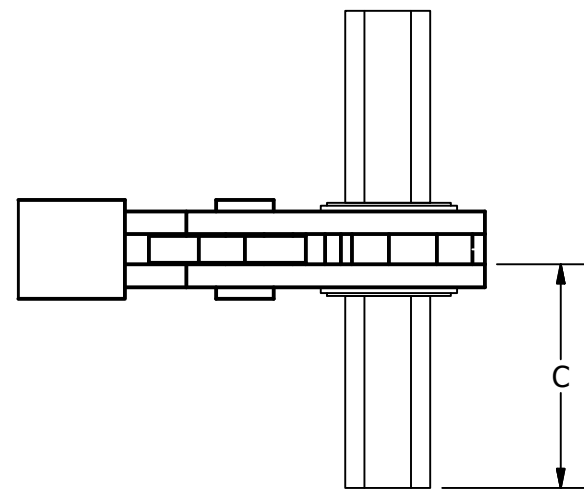


FIGURE 4  
ALLEN RATCHET

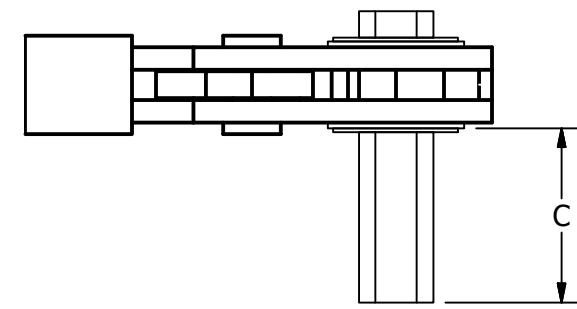


FIGURE 5  
REV. ALLEN RATCHET

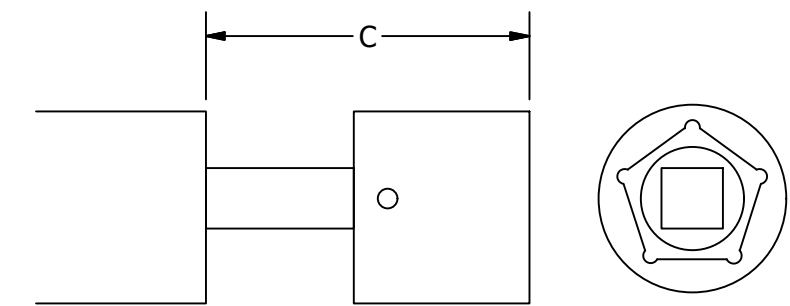


FIGURE 6  
PENTA SOCKET

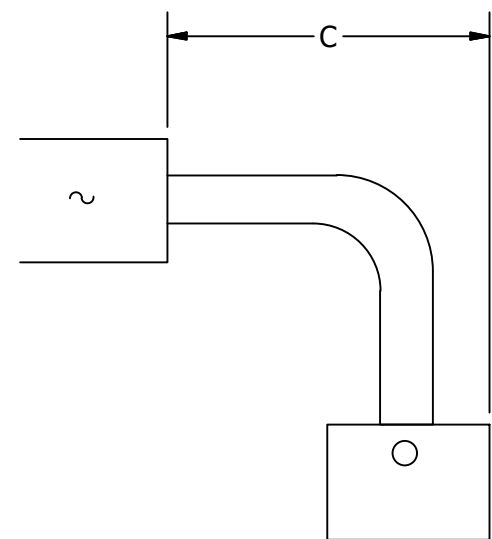


FIGURE 7  
90° PENTA SOCKET

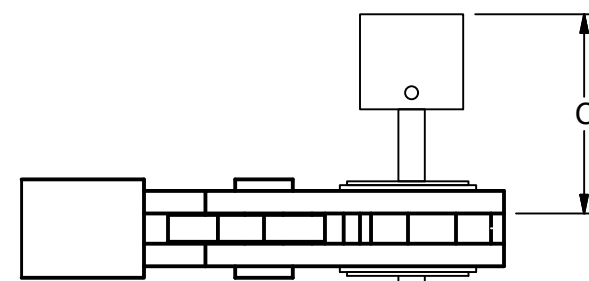


FIGURE 8  
90° PENTA RATCHET

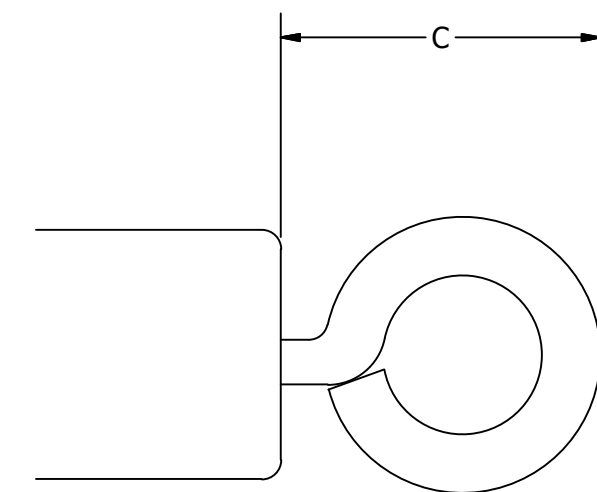



FIGURE 9  
EYE LOOP

79091	07/03/19	HD	RG	HPS.	 <b>HUBBELL® POWER SYSTEMS</b>				
EC #	DATE	CHG BY	RESP ENG		<b>GP</b> <b>FARGO CONNECTOR WRENCHES</b>				
DESC OF DWG: INITIAL RELEASE				<small>CONFIDENTIAL: THIS DRAWING AND ITS CONTACTS ARE CONFIDENTIAL AND THE EXCLUSIVE PROPERTY OF HUBBELL POWER SYSTEMS. NO PUBLICATION, DISTRIBUTION OR COPIES MAY BE MADE WITHOUT THE WRITTEN CONSENT OF HUBBELL POWER SYSTEMS. HUBBELL POWER SYSTEMS UNPUBLISHED ALL RIGHTS RESERVED UNDER THE COPYRIGHT LAWS</small>		SIZE <b>C</b>	DWG NO. CC-26157	CAT / PART / ASSY NO. SEE CHART	REV 00
REASON (S) FOR CHANGE: DISPOSITION OF MAT'L:						DO NOT SCALE THIS DRAWING	DRN BY SP	DATE 04/25/19	SHEET 2 OF 2