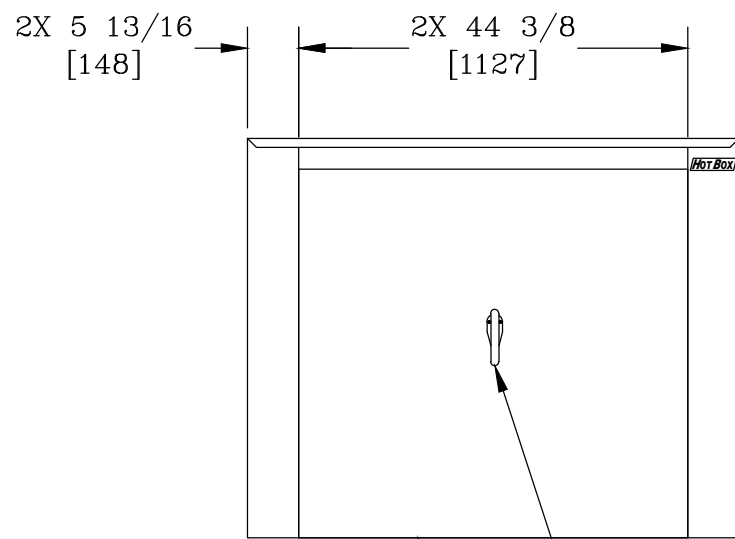
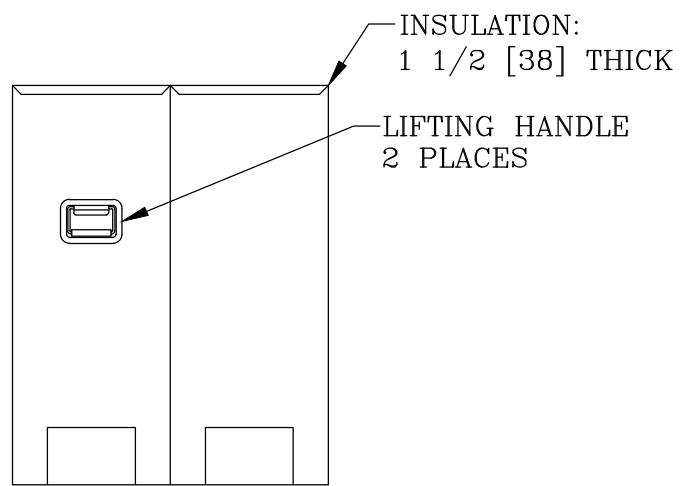


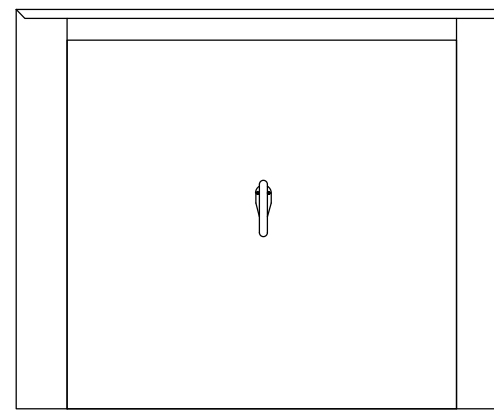
10 [254]W X 6 1/2 [165]H
DRAINPORT (4 PLACES)



LOCKABLE HANDLE
44 [1118] X 42 [1067]
REMOVABLE ACCESS PANEL
2 PLACES




INSULATION:
1 1/2 [38] THICK
LIFTING HANDLE
2 PLACES



NOTES:

- HEAT IS PROVIDED BY A 1000WATT, 120V SINGLE PHASE HEATER. FOR UNHEATED VERSION REPLACE THE PREFIX "H" WITH AN "L".
- INTERNAL DIMENSIONS: 33 [838]W X 53[1346]L X 44 [1118]H
- FOR RECOMMENDED SLAB SIZE ADD 9" [229] TO THE ENCLOSURE EXTERIOR.

HOTBOX ENCLOSURES ARE NON-RETURNABLE. A SIGNED DRAWING MUST BE RETURNED AT THE TIME OF ORDER. DIMENSIONS ARE IN INCHES OR MILLIMETERS IN BRACKETS UNLESS OTHERWISE NOTED.				
DRN	BY	DATE	WEIGHT	 3621 INDUSTRIAL PARK DR LENOIR CITY, TN 37771 800-346-3062 www.hot-box.com
CHK	<i>KPC</i>	9/14/09	133#	
ENG	<i>LBJ</i>	1/28/11	60kg	
APR			SCALE	
APR			1/2"=1'	
PROJECT NUMBER			SIZE	LOC
09863			B	LC
SHEET 1 OF 1			DRAWING DESCRIPTION	
DRAWING NUMBER			HOT BOX®	
HA033053044			(2 SECTION) ALUMINUM ENCLOSURE	
			HB4000AN	
			REV	
			B	
			11/13	