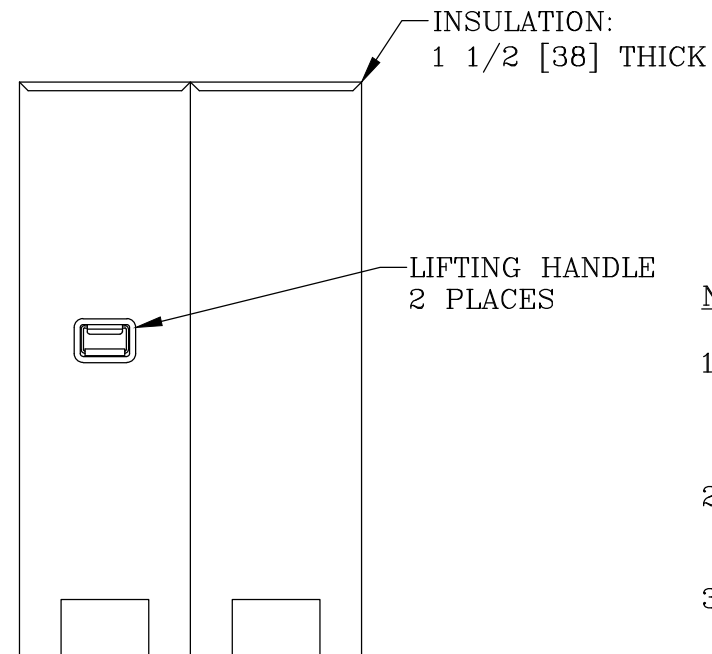
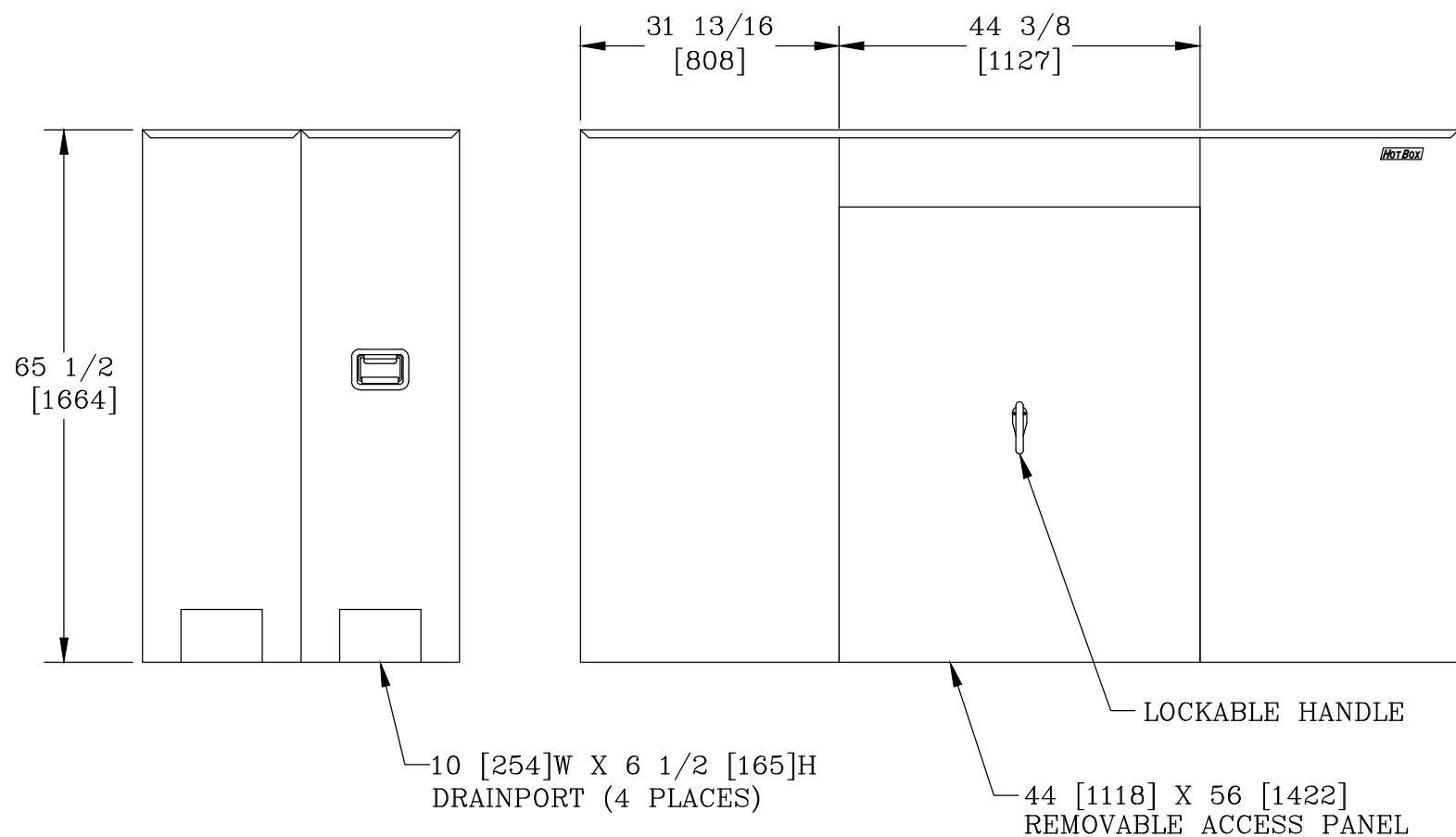



VIEW A-A



NOTES:

- HEAT IS PROVIDED BY (2) 1500WATT, 120V SINGLE PHASE HEATERS. FOR UNHEATED VERSION REPLACE THE PREFIX "H" WITH AN "L".
- INTERNAL DIMENSIONS: 36 [914]W X 105 [2667]L X 64 [1626]H
- FOR RECOMMENDED SLAB SIZE ADD 9" [229] TO THE ENCLOSURE EXTERIOR.

HOTBOX ENCLOSURES ARE NON-RETURNABLE. A SIGNED DRAWING MUST BE RETURNED AT THE TIME OF ORDER. DIMENSIONS ARE IN INCHES OR MILLIMETERS IN BRACKETS UNLESS OTHERWISE NOTED.				 3621 INDUSTRIAL PARK DR LENOIR CITY, TN 37771 800-346-3062 www.hot-box.com		LOC
DRN	BY	DATE	WEIGHT	DRAWING DESCRIPTION	HOT BOX® (2 SECTION) ALUMINUM ENCLOSURE HB6E	LC
CHK	<i>KPC</i>	9/8/09	262#			REV
ENG			119kg			A
APR			SCALE			9/09
APR			1/2"=1'			
PROJECT NUMBER				SIZE		
				B		
				DRAWING NUMBER		
SHEET 1 OF 1				HA036105064		