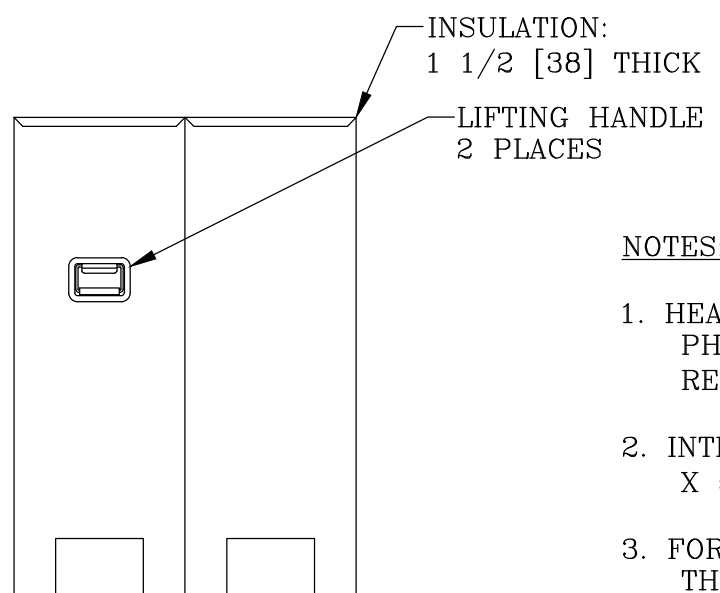
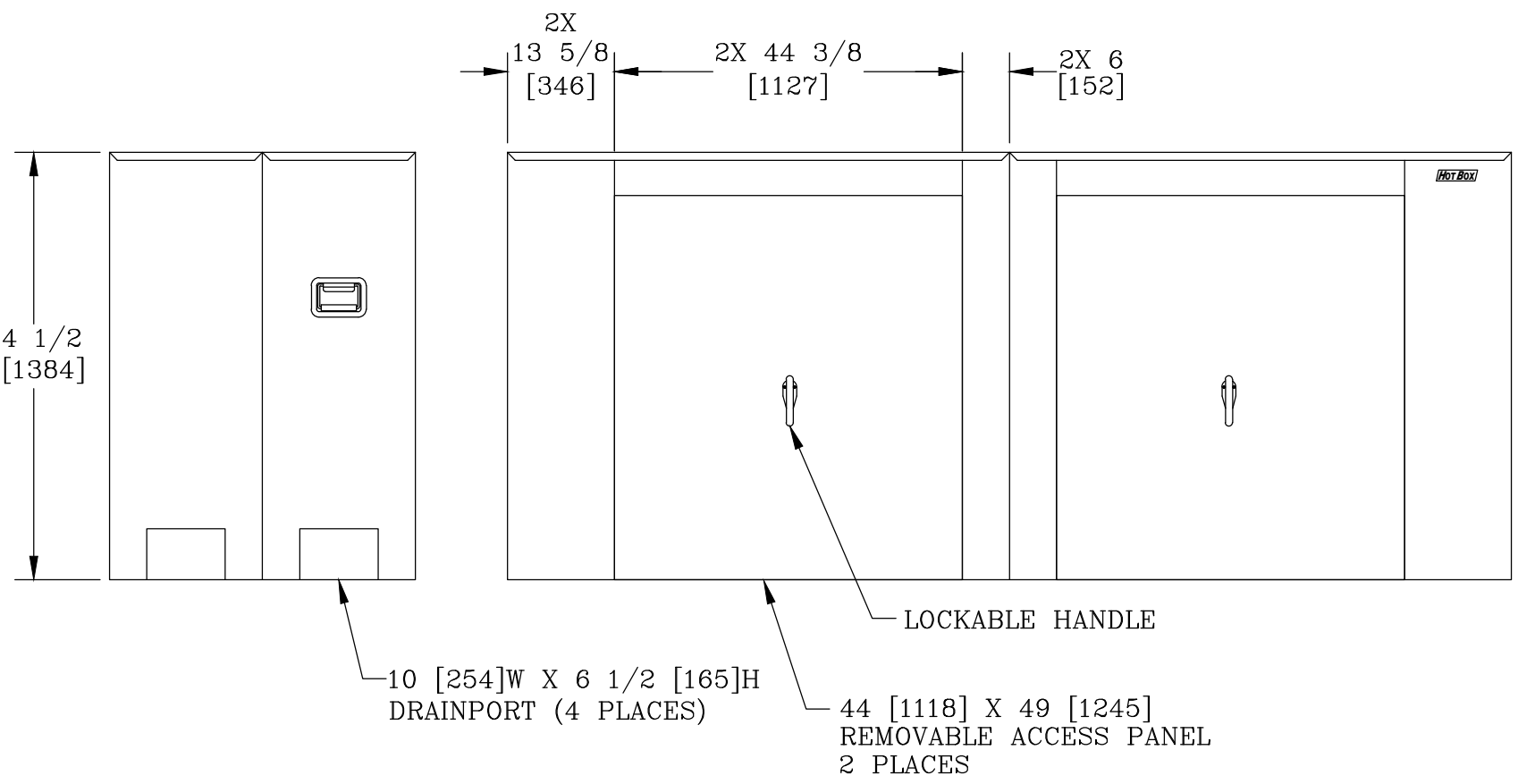



VIEW A-A



NOTES:

- HEAT IS PROVIDED BY (2) 1500WATT, 120V SINGLE PHASE HEATERS. FOR UNHEATED VERSION REPLACE THE PREFIX "H" WITH AN "L".
- INTERNAL DIMENSIONS: 36 [914]W X 125 [3175]L X 53 [1346]H
- FOR RECOMMENDED SLAB SIZE ADD 9" [229] TO THE ENCLOSURE EXTERIOR.

HOTBOX ENCLOSURES ARE NON-RETURNABLE. A SIGNED DRAWING MUST BE RETURNED AT THE TIME OF ORDER. DIMENSIONS ARE IN INCHES OR MILLIMETERS IN BRACKETS UNLESS OTHERWISE NOTED.				 3621 INDUSTRIAL PARK DR LENOIR CITY, TN 37771 800-346-3062 www.hot-box.com		LOC
DRN	BY	DATE	WEIGHT	DRAWING DESCRIPTION	HOT BOX [®] (4 SECTION) ALUMINUM ENCLOSURE HB6NS	LC
CHK	KPC	9/14/09	290# 132kg			S
ENG			SCALE			REV
APR			1/2"=1'			A
APR			SIZE			9/09
PROJECT NUMBER			DRAWING NUMBER			
09868			HA036125053			
SHEET 1 OF 1						