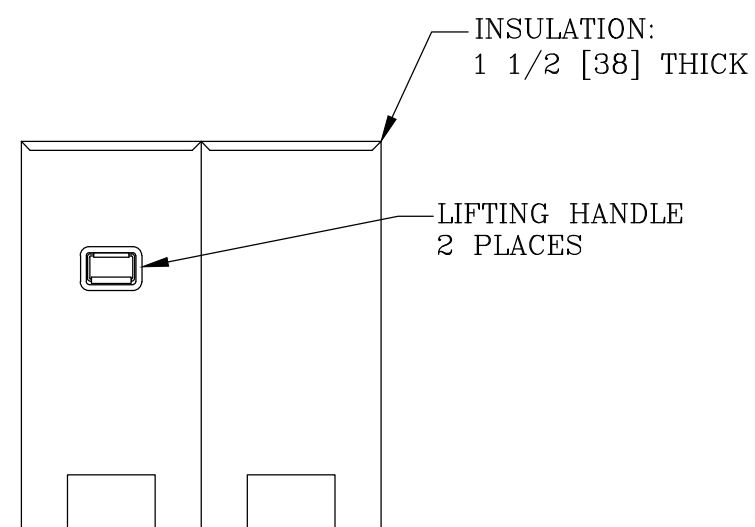
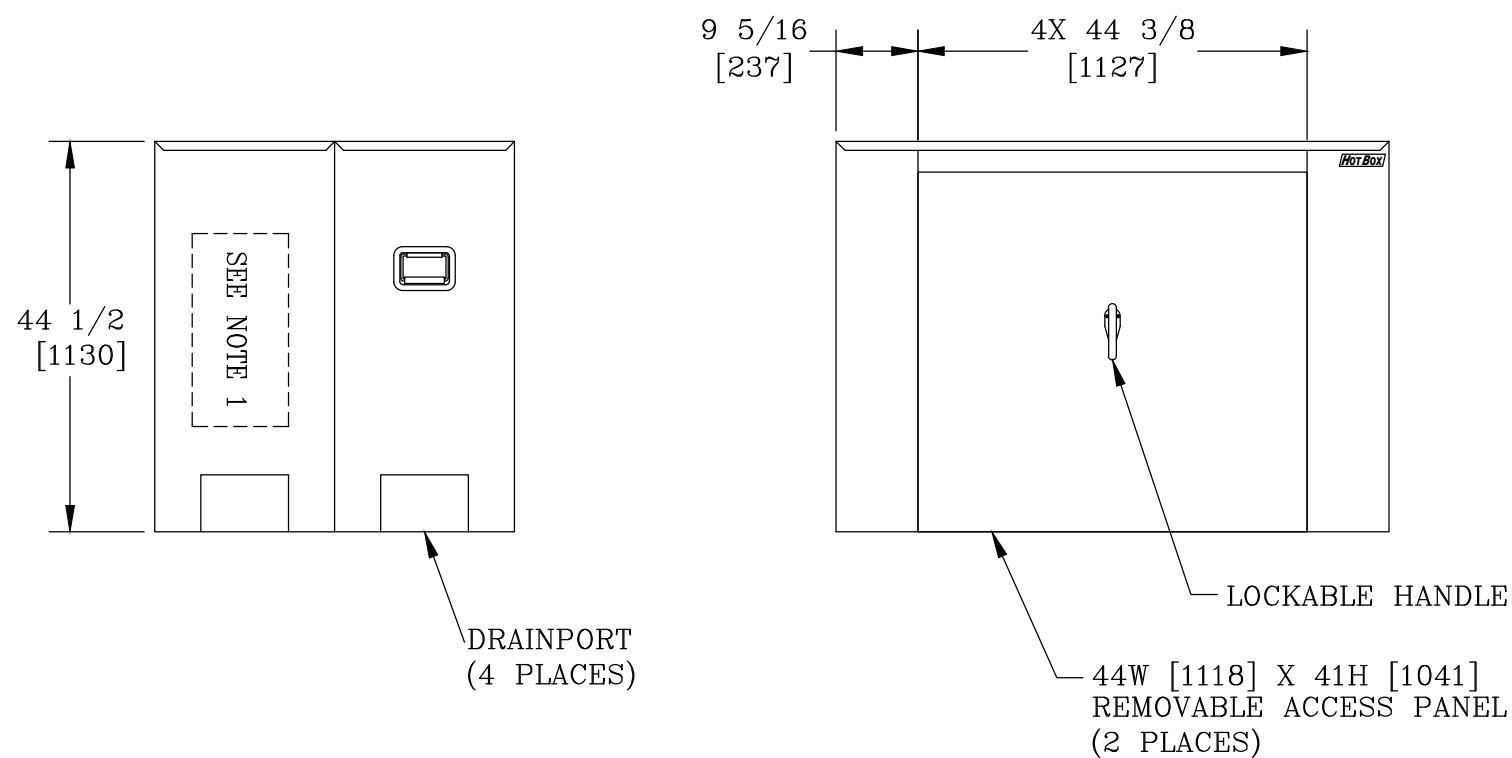



VIEW A-A



NOTES:

- HEAT IS PROVIDED BY A 1500WATT, 120V SINGLE PHASE HEATER. FOR UNHEATED VERSION REPLACE THE PREFIX "H" WITH AN "L".
- INTERNAL DIMENSIONS: 38 [965]W X 60 [1524]L X 43 [1092]H
- FOR RECOMMENDED SLAB SIZE ADD 9" [229] TO THE ENCLOSURE EXTERIOR.

HOTBOX ENCLOSURES ARE NON-RETURNABLE. A SIGNED DRAWING MUST BE RETURNED AT THE TIME OF ORDER. DIMENSIONS ARE IN INCHES OR MILLIMETERS IN BRACKETS UNLESS OTHERWISE NOTED.					
DRN	BY	DATE	WEIGHT	 3621 INDUSTRIAL PARK DR LENOIR CITY, TN 37771 800-346-3062 www.hot-box.com	LOC
CHK	KPL	10/1/09	157#		LC
ENG			71kg		S
APR			SCALE		REV
APR			NTS		A
PROJECT NUMBER			DRAWING DESCRIPTION		10/09
091085			HOT BOX® ALUMINUM ENCLOSURE HB3FN-D		
SHEET 1 OF 1			DRAWING NUMBER		
			HA038060043		