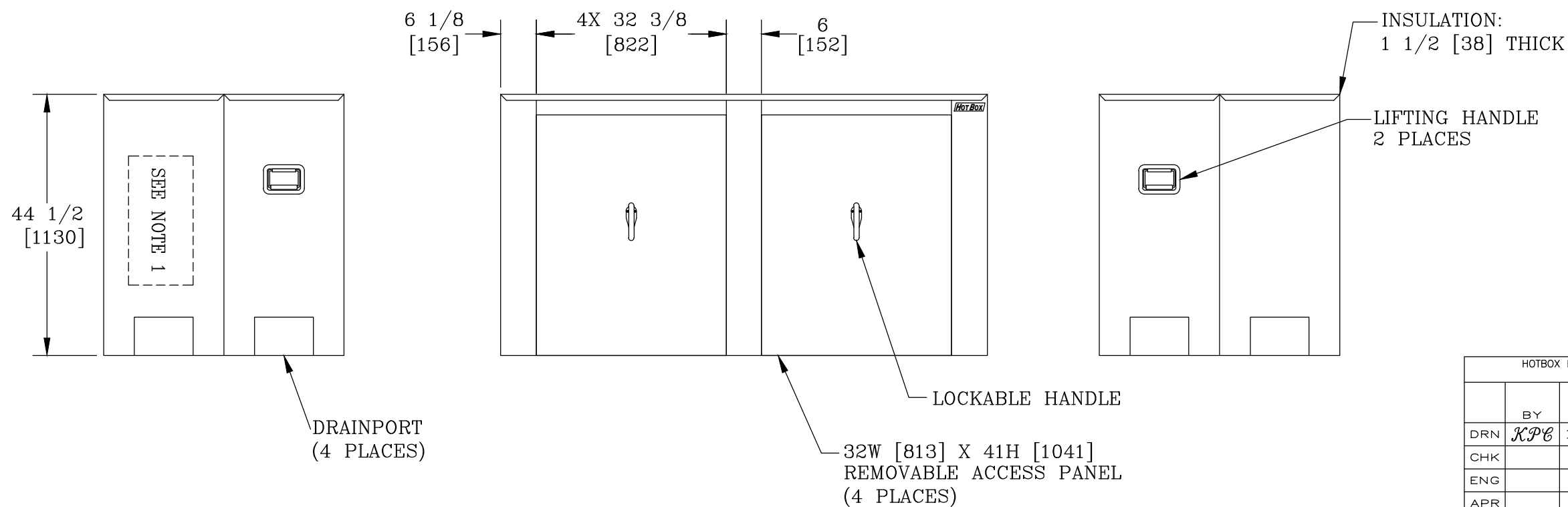



VIEW A-A



NOTES:

- HEAT IS PROVIDED BY A 1500WATT, 120V SINGLE PHASE HEATER. FOR UNHEATED VERSION REPLACE THE PREFIX "H" WITH AN "L".
- INTERNAL DIMENSIONS: 38 [965]W X 80 [2032]L X 43 [1092]H
- FOR RECOMMENDED SLAB SIZE ADD 9" [229] TO THE ENCLOSURE EXTERIOR.

HOTBOX ENCLOSURES ARE NON-RETURNABLE. A SIGNED DRAWING MUST BE RETURNED AT THE TIME OF ORDER. DIMENSIONS ARE IN INCHES OR MILLIMETERS IN BRACKETS UNLESS OTHERWISE NOTED.				 3621 INDUSTRIAL PARK DR LENOIR CITY, TN 37771 800-346-3062 www.hot-box.com		LOC
DRN	BY	DATE	WEIGHT	DRAWING DESCRIPTION	HOT BOX® (2 SECTION) ALUMINUM ENCLOSURE HB3FE-D	LC
CHK	KPE	10/1/09	206#			REV
ENG			93kg			A
APR			SCALE			10/09
APR			NTS			
PROJECT NUMBER			SIZE	DRAWING NUMBER		
091083			B	HA038080043		
SHEET 1 OF 1						