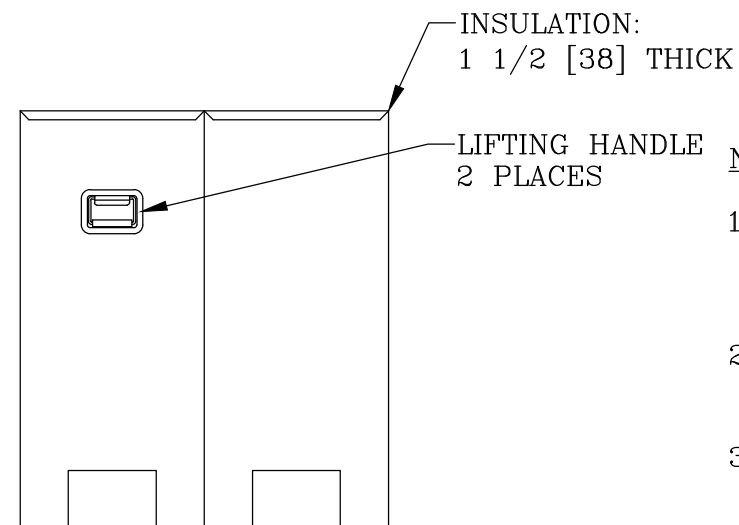
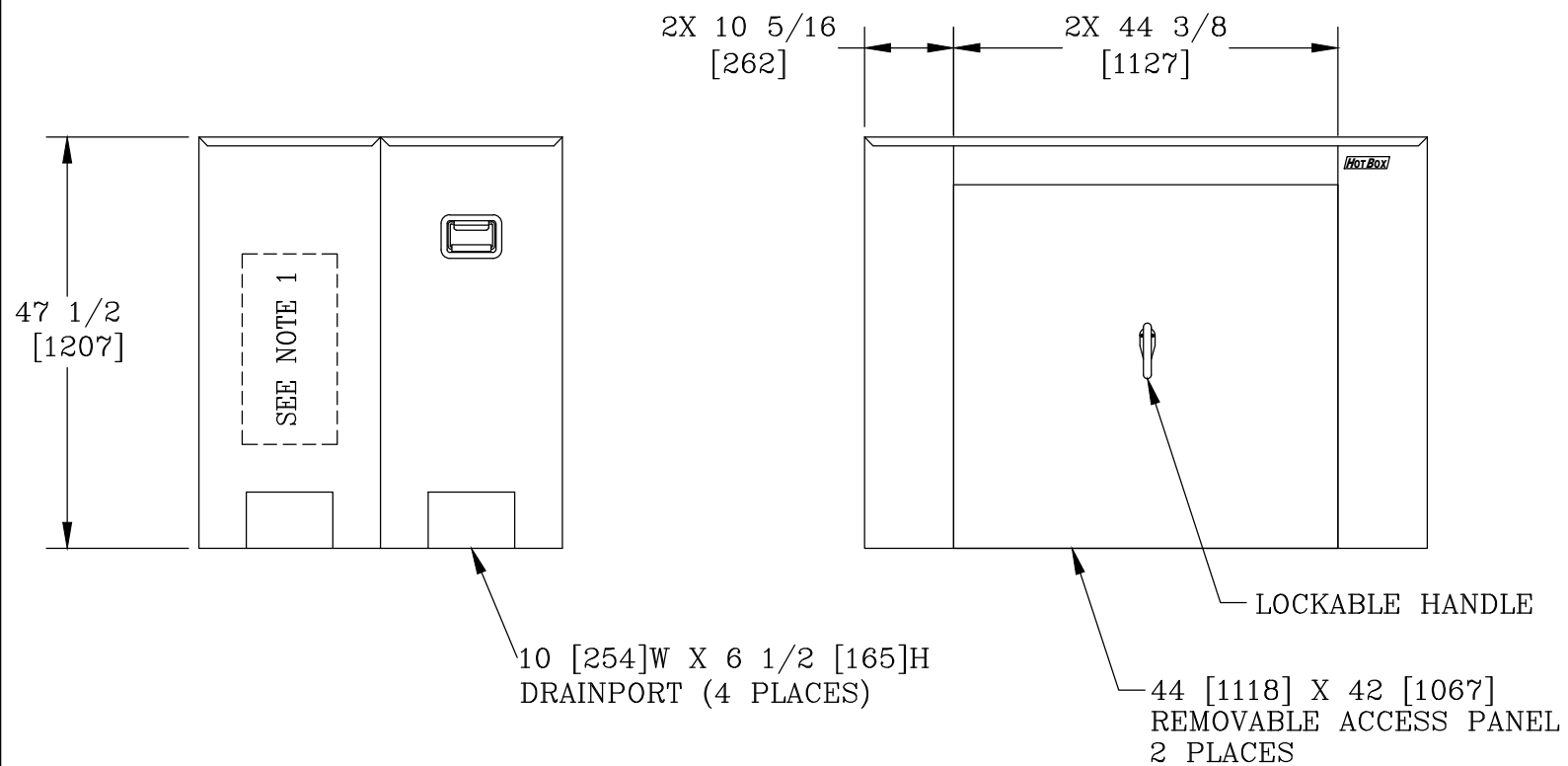



VIEW A-A



NOTES:

- HEAT IS PROVIDED BY A 1500WATT, 120V SINGLE PHASE HEATER. FOR UNHEATED VERSION REPLACE THE PREFIX "H" WITH AN "L".
- INTERNAL DIMENSIONS: 39 [991]W X 62 [1575]L X 46 [1168]H
- FOR RECOMMENDED SLAB SIZE ADD 9" [229] TO THE ENCLOSURE EXTERIOR.

HOTBOX ENCLOSURES ARE NON-RETURNABLE. A SIGNED DRAWING MUST BE RETURNED AT THE TIME OF ORDER. DIMENSIONS ARE IN INCHES OR MILLIMETERS IN BRACKETS UNLESS OTHERWISE NOTED.				 3621 INDUSTRIAL PARK DR LENOIR CITY, TN 37771 800-346-3062 www.hot-box.com		LOC
DRN	BY	DATE	WEIGHT	DRAWING DESCRIPTION	HOT BOX® (2 SECTION) ALUMINUM ENCLOSURE HB6000AN	LC
CHK	<i>KPE</i>	9/14/19	167#			REV
ENG			76kg			B
APR			SCALE			11/13
APR			NTS			
PROJECT NUMBER			SIZE	DRAWING NUMBER		
09866			B	HA039062046		
				SHEET 1 OF 1		