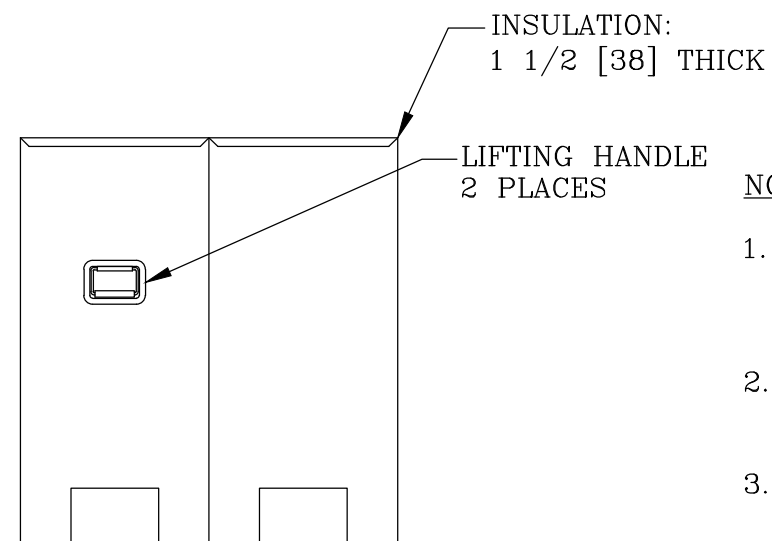
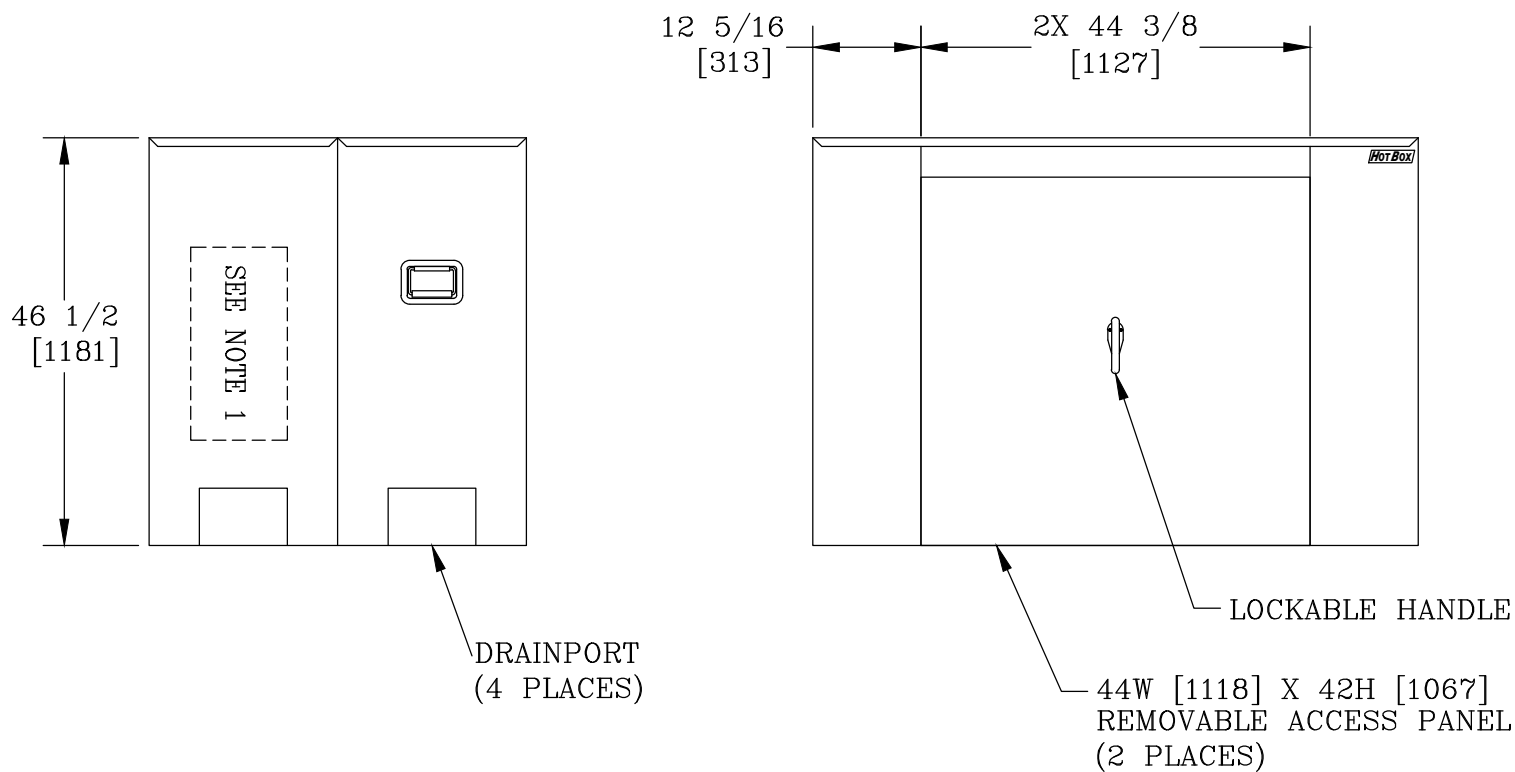



VIEW A-A



NOTES:

- HEAT IS PROVIDED BY A 1500WATT, 120V SINGLE PHASE HEATER. FOR UNHEATED VERSION REPLACE THE PREFIX "H" WITH AN "L".
- INTERNAL DIMENSIONS: 40 [1016]W X 66 [1676]L X 45 [1143]H
- FOR RECOMMENDED SLAB SIZE ADD 9" [229] TO THE ENCLOSURE EXTERIOR.

HOTBOX ENCLOSURES ARE NON-RETURNABLE. A SIGNED DRAWING MUST BE RETURNED AT THE TIME OF ORDER. DIMENSIONS ARE IN INCHES OR MILLIMETERS IN BRACKETS UNLESS OTHERWISE NOTED.				 3621 INDUSTRIAL PARK DR LENOIR CITY, TN 37771 800-346-3062 www.hot-box.com		LOC
DRN	BY	DATE	WEIGHT	DRAWING DESCRIPTION	HOT BOX® (2 SECTION) ALUMINUM ENCLOSURE HB4FN-D	LC
CHK	KPC	10/2/09	171# 78kg			S
ENG			SCALE			REV
APR			1/2"=1'			B
APR			SIZE			11/13
PROJECT NUMBER			DRAWING NUMBER			
091089			HA040066045			
SHEET 1 OF 1						