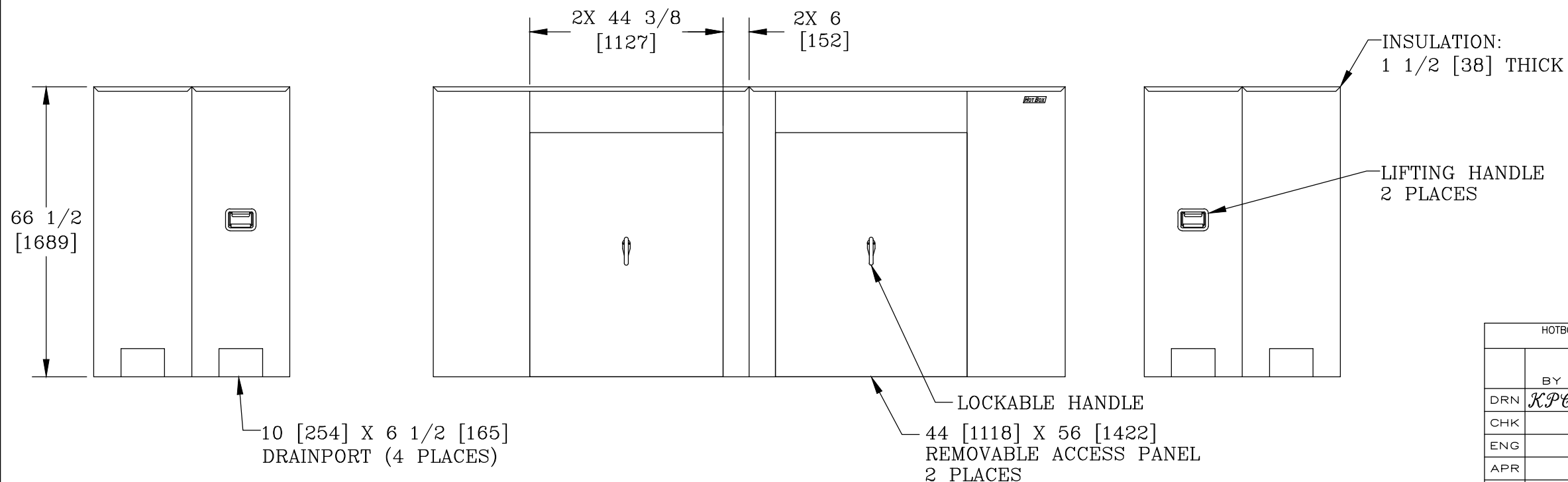



VIEW A-A



NOTES:

- HEAT IS PROVIDED BY (2) 1500WATT, 120V SINGLE PHASE HEATERS. FOR UNHEATED VERSION REPLACE THE PREFIX "H" WITH AN "L".
- INTERNAL DIMENSIONS: 42 [1067]W X 142 [3607]L X 65 [1651]H
- FOR RECOMMENDED SLAB SIZE ADD 9" [229] TO THE ENCLOSURE EXTERIOR.

HOTBOX ENCLOSURES ARE NON-RETURNABLE. A SIGNED DRAWING MUST BE RETURNED AT THE TIME OF ORDER. DIMENSIONS ARE IN INCHES OR MILLIMETERS IN BRACKETS UNLESS OTHERWISE NOTED.				 3621 INDUSTRIAL PARK DR LENOIR CITY, TN 37771 800-346-3062 www.hot-box.com		LOC
DRN	BY	DATE	WEIGHT	DRAWING DESCRIPTION	LC	
CHK	KPC	9/9/09	366#		S	
ENG			166kg		REV	
APR			SCALE		A	
APR			3/8"=1'		9/09	
PROJECT NUMBER			SIZE	HOT BOX® (4 SECTION) ALUMINUM ENCLOSURE HB10N		
09836			B			
SHEET 1 OF 1				DRAWING NUMBER		
				HA042142065		