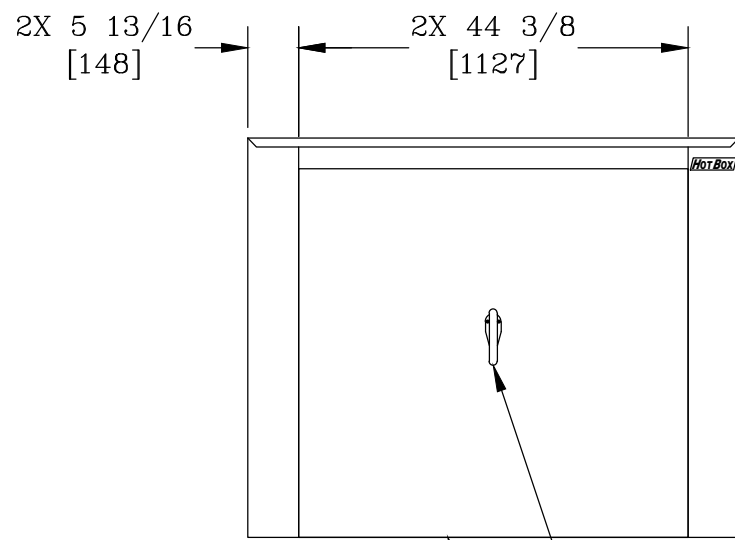
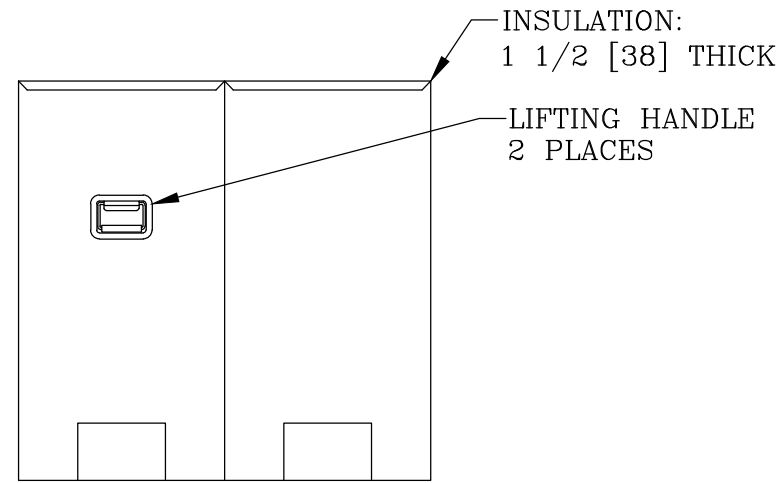


10 [203]W X 6 1/2 [165]H
DRAINPORT (4 PLACES)



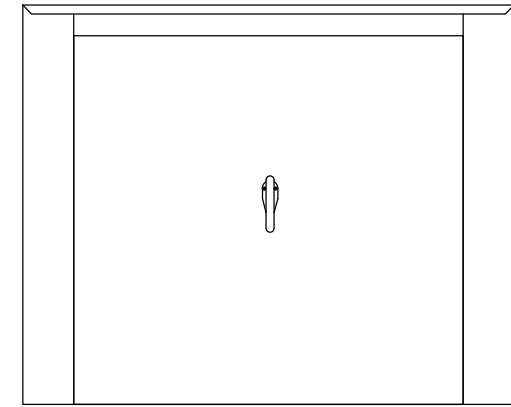
LOCKABLE HANDLE

44 [1118] X 42 [1067]
REMOVABLE ACCESS PANEL
2 PLACES




INSULATION:
1 1/2 [38] THICK

LIFTING HANDLE
2 PLACES



NOTES:

- HEAT IS PROVIDED BY A 1000WATT, 120V SINGLE PHASE HEATER. FOR UNHEATED VERSION REPLACE THE PREFIX "H" WITH AN "L".
- INTERNAL DIMENSIONS: 44 [1118]W X 53[1346]L X 44 [1118]H
- FOR RECOMMENDED SLAB SIZE ADD 9" [229] TO THE ENCLOSURE EXTERIOR.

HOTBOX ENCLOSURES ARE NON-RETURNABLE. A SIGNED DRAWING MUST BE RETURNED AT THE TIME OF ORDER. DIMENSIONS ARE IN INCHES OR MILLIMETERS IN BRACKETS UNLESS OTHERWISE NOTED.					
BY	DATE	WEIGHT	 3621 INDUSTRIAL PARK DR LENOIR CITY, TN 37771 800-346-3062 www.hot-box.com	LOC	
DRN	9/14/09	159# 72kg		LC	
CHK	1/28/11	SCALE	DRAWING DESCRIPTION	REV	
ENG		1/2"=1'		B	
APR		SIZE			
APR		B			11/13
PROJECT NUMBER			DRAWING NUMBER		
09864			HA044053044		
SHEET 1 OF 1					