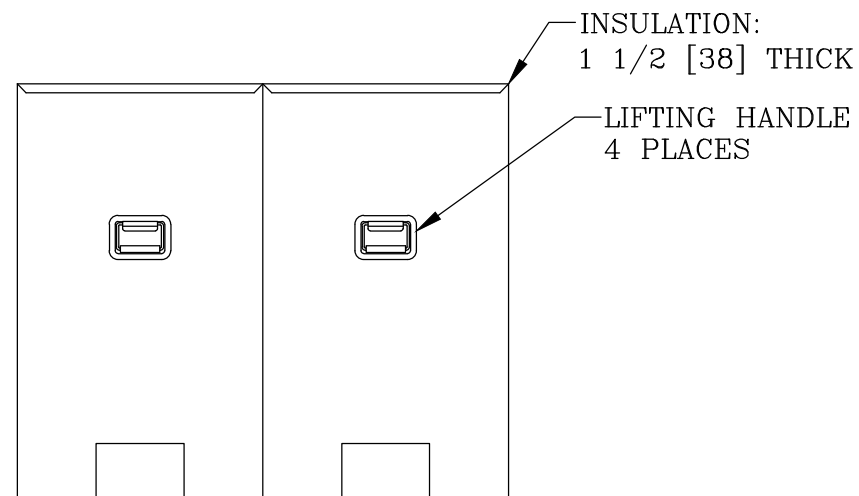
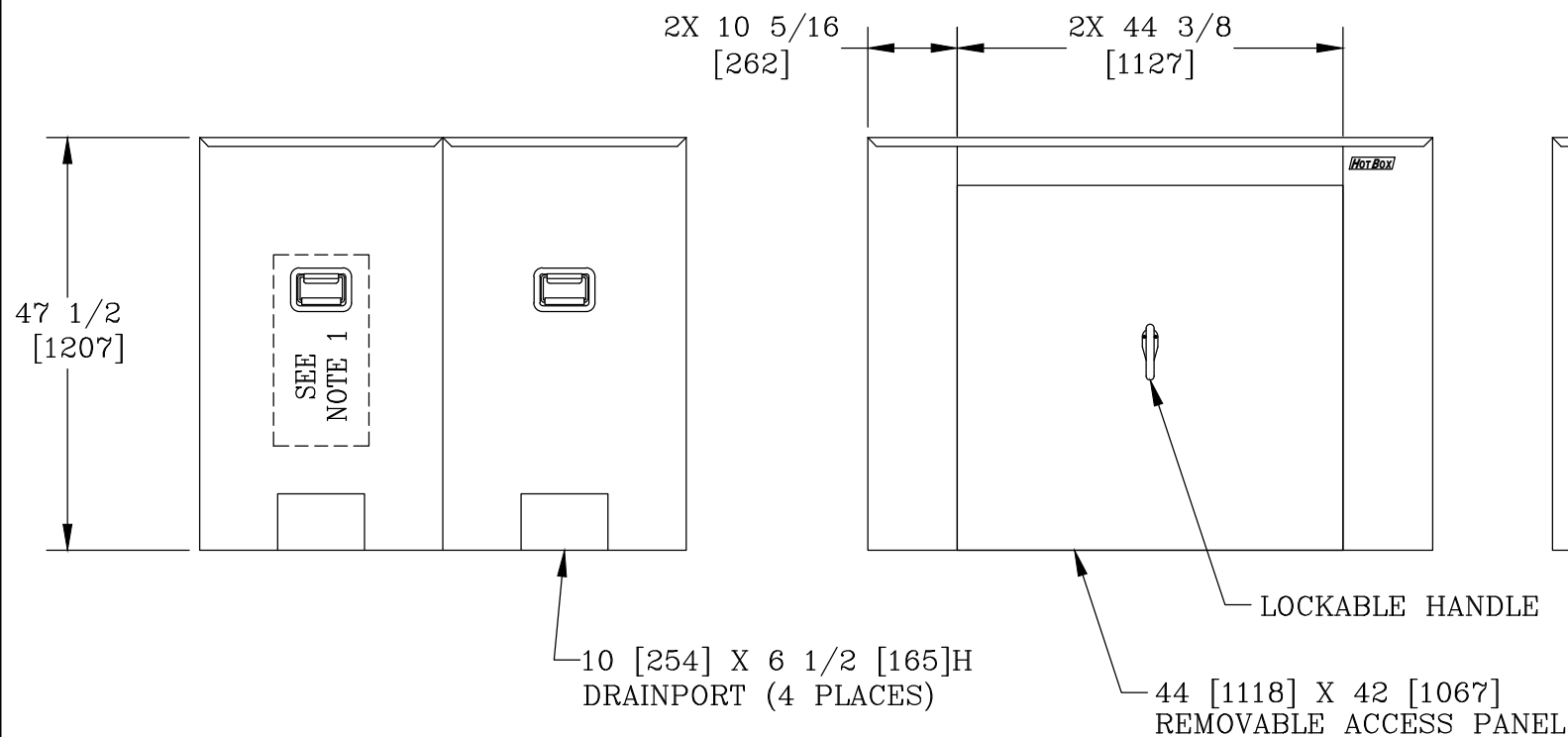



VIEW A-A



NOTES:

- HEAT IS PROVIDED BY A 1500WATT, 120V SINGLE PHASE HEATER. FOR UNHEATED VERSION REPLACE THE PREFIX "H" WITH AN "L".
- INTERNAL DIMENSIONS: 53 [1346]W X 62 [1575]L X 46 [1168]H
- FOR RECOMMENDED SLAB SIZE ADD 9" [229] TO THE ENCLOSURE EXTERIOR.

HOTBOX ENCLOSURES ARE NON-RETURNABLE. A SIGNED DRAWING MUST BE RETURNED AT THE TIME OF ORDER. DIMENSIONS ARE IN INCHES OR MILLIMETERS IN BRACKETS UNLESS OTHERWISE NOTED.					
BY	DATE	WEIGHT	 3621 INDUSTRIAL PARK DR LENOIR CITY, TN 37771 800-346-3062 www.hqbz@ex.com	LOC	
DRN	KPC	9/14/09		187#	LC
CHK				85kg	S
ENG				SCALE	REV
APR				1/2"=1'	B
APR			SIZE	11/13	
			B		
PROJECT NUMBER			DRAWING NUMBER		
09867			HA053062046		
SHEET 1 OF 1					