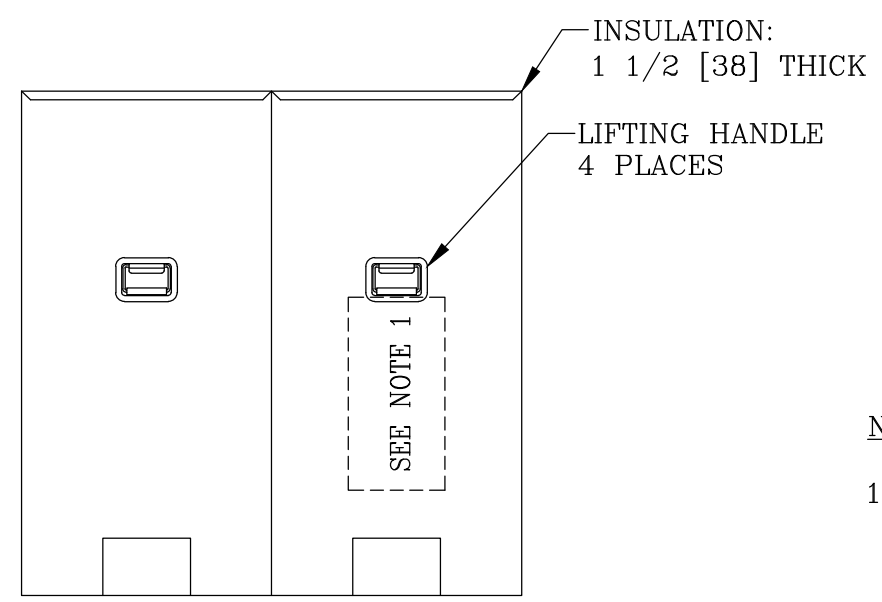
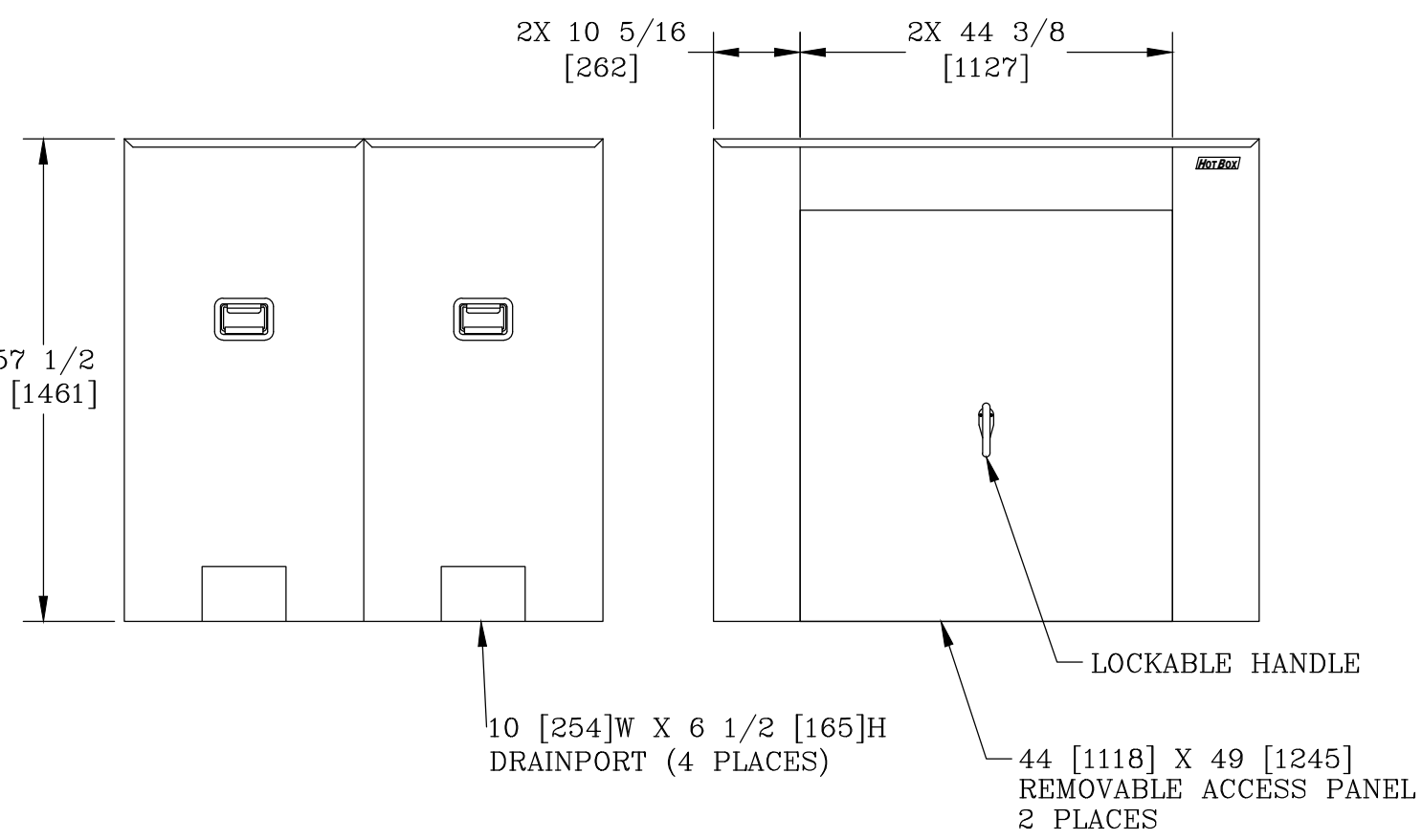


VIEW A-A



NOTES:

- HEAT IS PROVIDED BY (1) 1900WATT, 120V SINGLE PHASE HEATERS. FOR UNHEATED VERSION REPLACE THE PREFIX "H" WITH AN "L".
- INTERNAL DIMENSIONS: 54 [1372]W X 62 [1575]L X 56 [1422]H
- FOR RECOMMENDED SLAB SIZE ADD 9" [229] TO THE ENCLOSURE EXTERIOR.

HOTBOX ENCLOSURES ARE NON-RETURNABLE. A SIGNED DRAWING MUST BE RETURNED AT THE TIME OF ORDER. DIMENSIONS ARE IN INCHES OR MILLIMETERS IN BRACKETS UNLESS OTHERWISE NOTED.				
DRN	BY	DATE	WEIGHT	LOC
	KPC	9/24/09	209# 95kg	LC
CHK			SCALE	S
ENG			1/2"=1'	REV
APR			SIZE	A
APR			B	9/09
PROJECT NUMBER			DRAWING NUMBER	
09991			HA054062056	
SHEET 1 OF 1				

3621 INDUSTRIAL PARK DR
LENOIR CITY, TN 37771
800-346-3062
www.hot-box.com

HUBBELL
DRAWING DESCRIPTION
HOT BOX®
(2 SECTION) ALUMINUM ENCLOSURE
HB10FE-AL