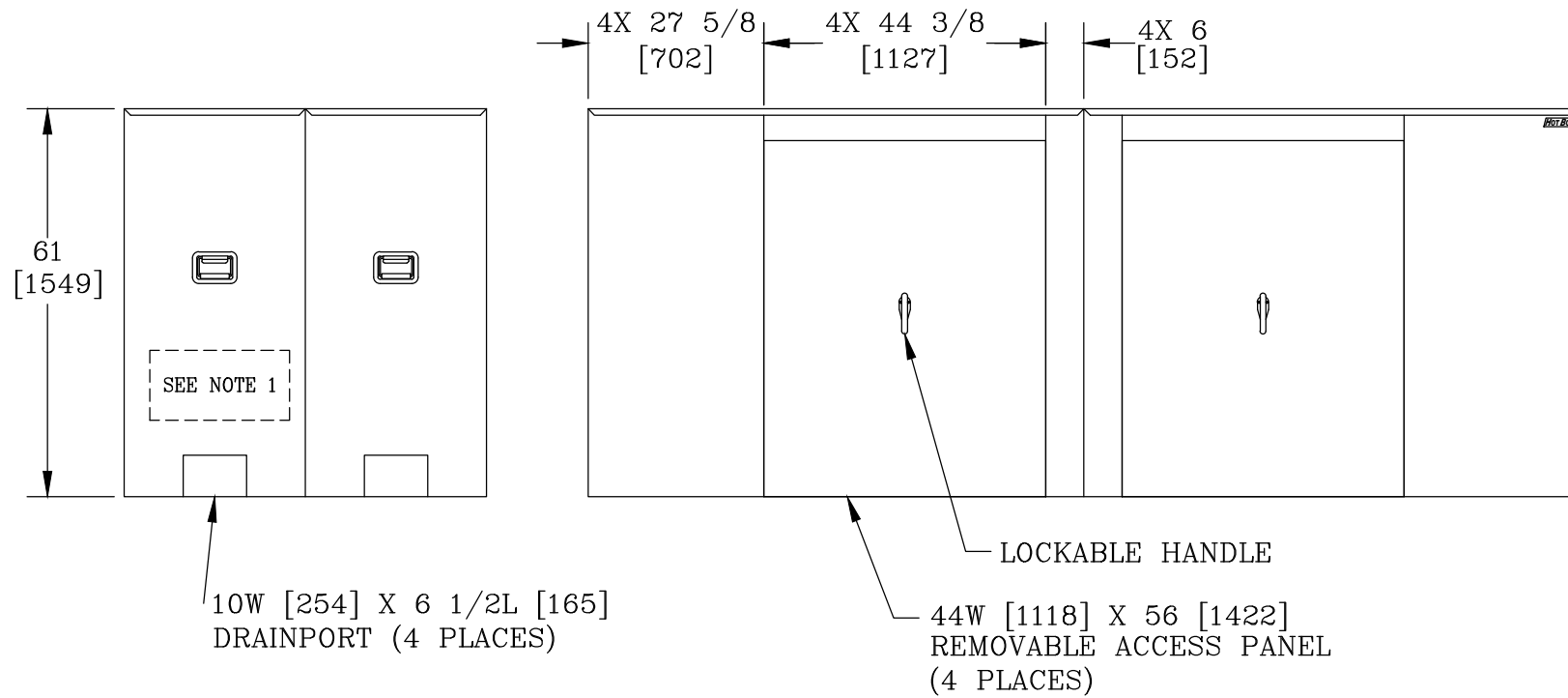
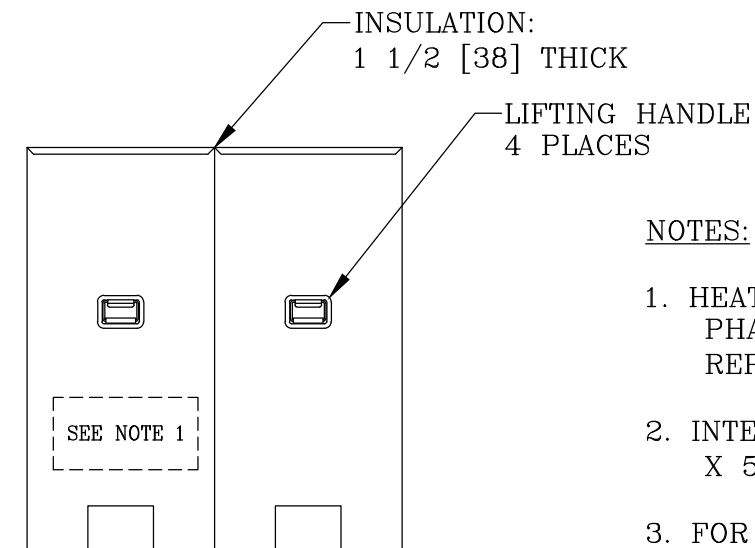


VIEW A-A




10W [254] X 6 1/2L [165]
DRAINPORT (4 PLACES)

LOCKABLE HANDLE
44W [1118] X 56 [1422]
REMOVABLE ACCESS PANEL
(4 PLACES)



NOTES:

- HEAT IS PROVIDED BY (2) 1900WATT, 120V SINGLE PHASE HEATERS. FOR UNHEATED VERSION REPLACE THE PREFIX "H" WITH AN "L".
- INTERNAL DIMENSIONS: 54 [1372]W X 153 [3886]L X 59 1/2 [1511]H
- FOR RECOMMENDED SLAB SIZE ADD 9" [229] TO THE ENCLOSURE EXTERIOR.

HOTBOX ENCLOSURES ARE NON-RETURNABLE. A SIGNED DRAWING MUST BE RETURNED AT THE TIME OF ORDER. DIMENSIONS ARE IN INCHES OR MILLIMETERS IN BRACKETS UNLESS OTHERWISE NOTED.				 3621 INDUSTRIAL PARK DR LENOIR CITY, TN 37771 800-346-3062 www.hot-box.com		LOC
DRN	BY	DATE	WEIGHT	DRAWING DESCRIPTION	HOT BOX® (4 SECTION) ALUMINUM ENCLOSURE HB10FE-D	LC
CHK	KPE	10/5/09	418#			S
ENG			190kg			REV
APR			SCALE			A
APR			NTS			10/09
PROJECT NUMBER			SIZE	DRAWING NUMBER		
091099			B	HA054153059		
				SHEET 1 OF 1		