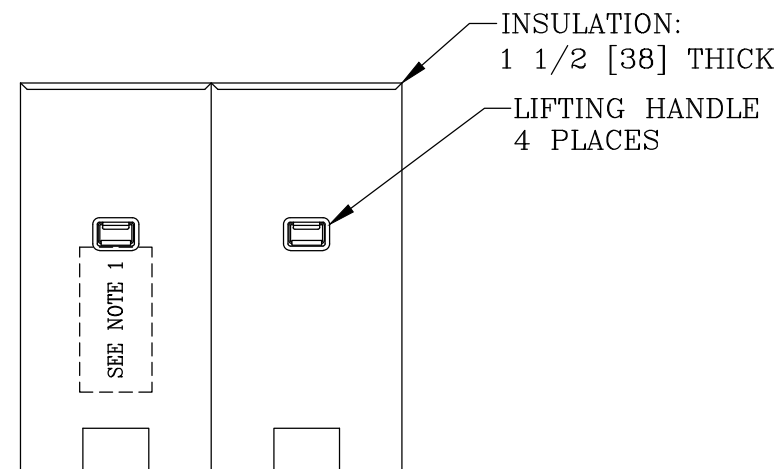
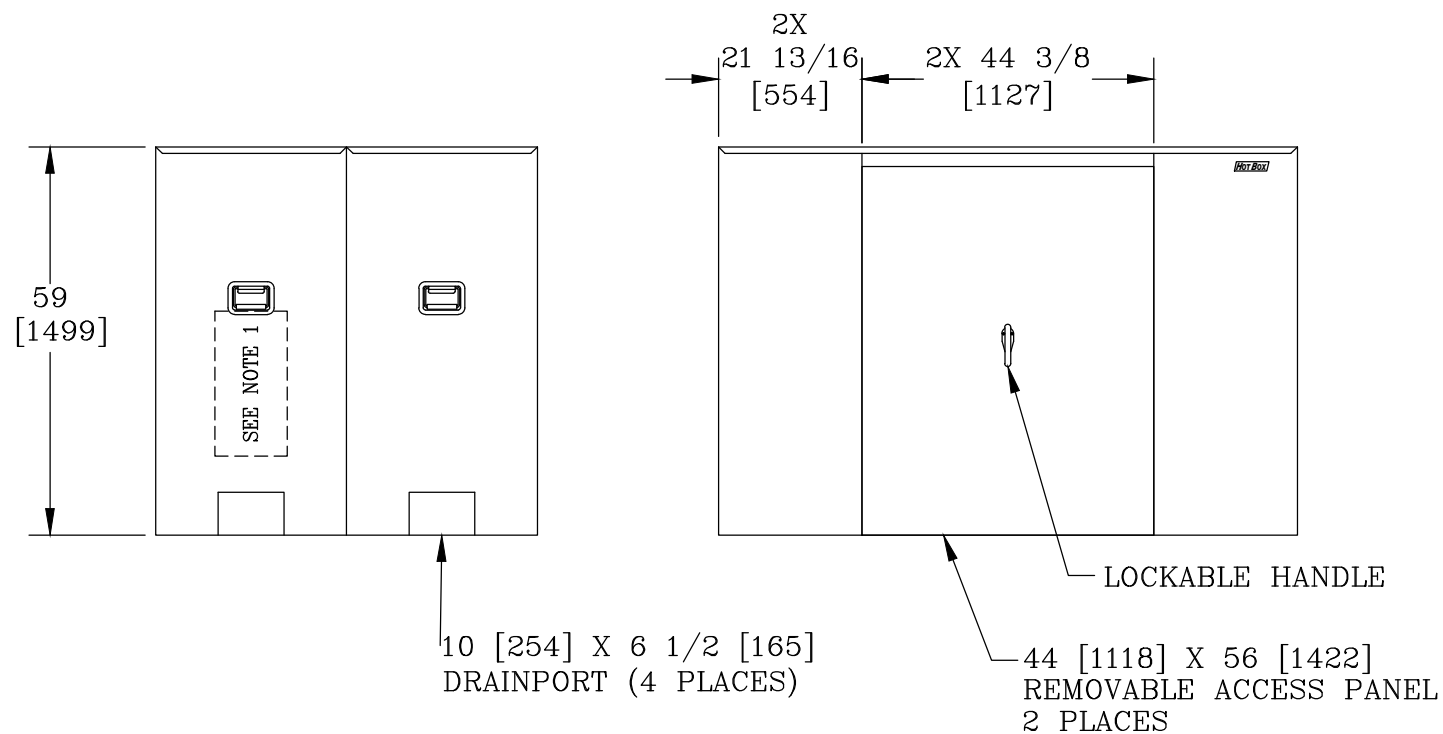



VIEW A-A



NOTES:

- HEAT IS PROVIDED BY (2) 1000WATT, 120V SINGLE PHASE HEATERS. FOR UNHEATED VERSION REPLACE THE PREFIX "H" WITH AN "L".
- INTERNAL DIMENSIONS: 55 [1397]W X 85 [2159]L X 57 1/2 [1461]H
- FOR RECOMMENDED SLAB SIZE ADD 9" [229] TO THE ENCLOSURE EXTERIOR.

HOTBOX ENCLOSURES ARE NON-RETURNABLE. A SIGNED DRAWING MUST BE RETURNED AT THE TIME OF ORDER. DIMENSIONS ARE IN INCHES OR MILLIMETERS IN BRACKETS UNLESS OTHERWISE NOTED.					
BY	DATE	WEIGHT	 3621 INDUSTRIAL PARK DR LENOIR CITY, TN 37771 800-346-3062 www.hot-box.com	LOC	
DRN	KPC	7/21/10		263# 119kg	LC
CHK			SCALE	DRAWING DESCRIPTION	REV
ENG			3/8"=1'		A
APR			SIZE		
APR			B		
PROJECT NUMBER			DRAWING NUMBER		
101484			HA055085057		
			SHEET 1 OF 1		