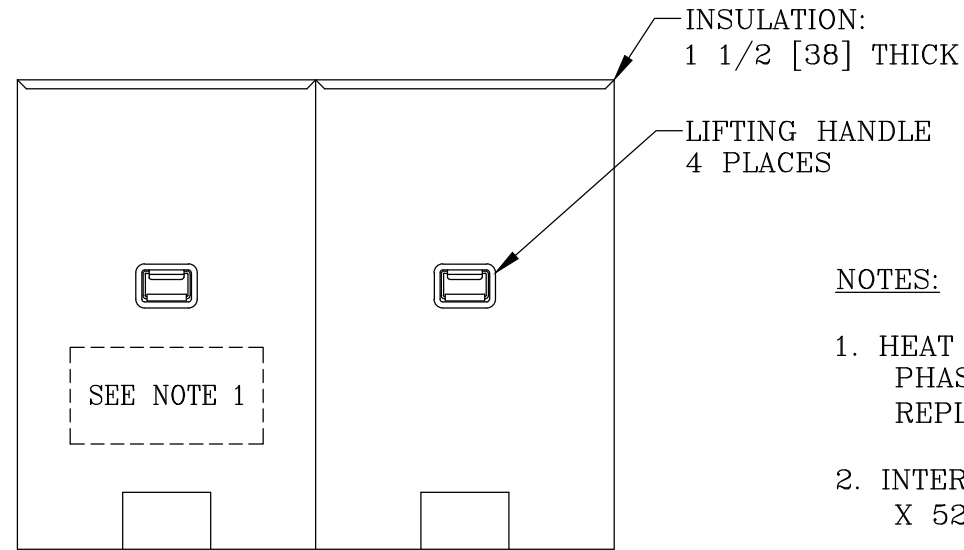
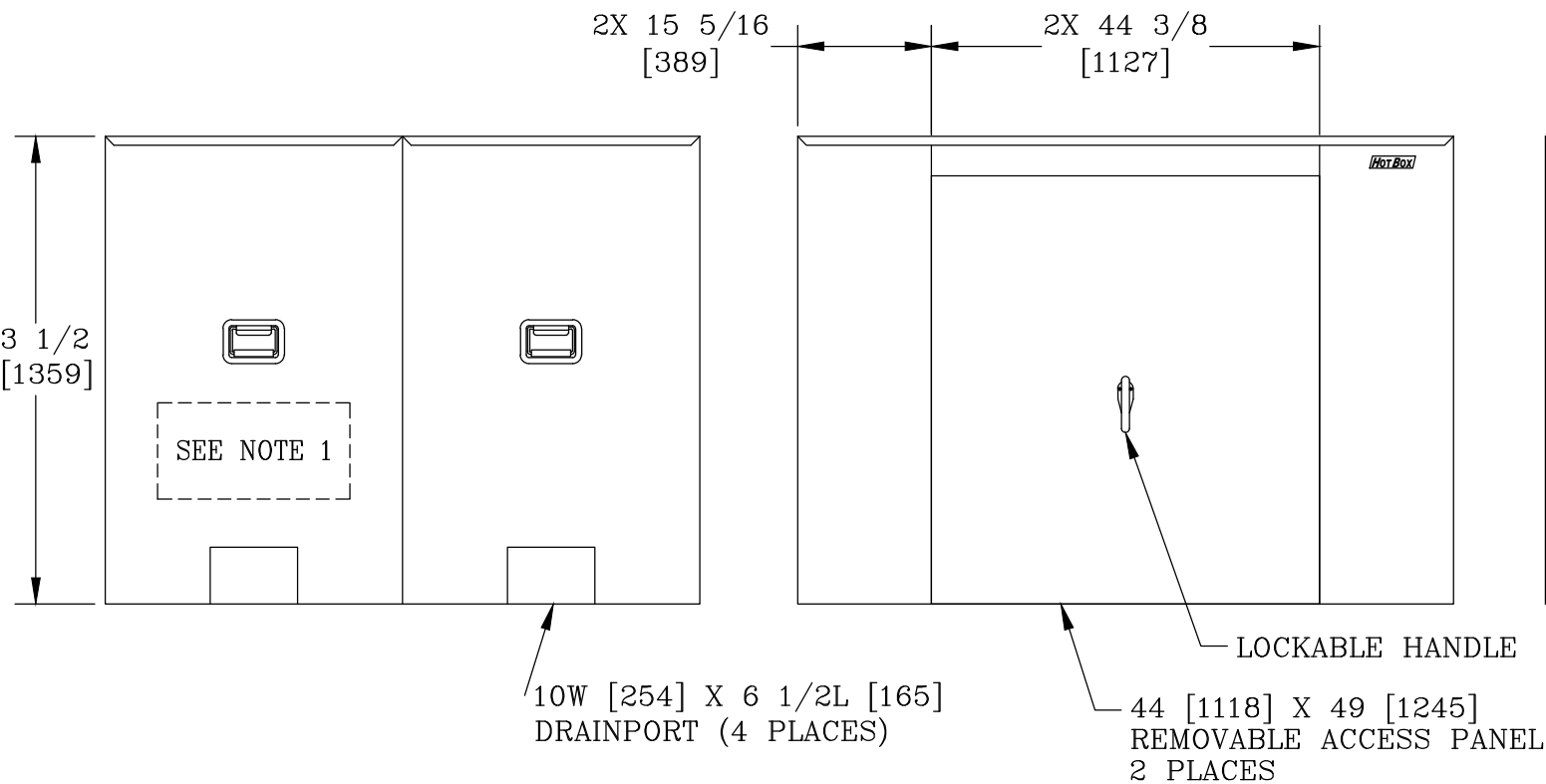


VIEW A-A



NOTES:

- HEAT IS PROVIDED BY (2) 1000WATT, 120V SINGLE PHASE HEATERS. FOR UNHEATED VERSION REPLACE THE PREFIX "H" WITH AN "L".
- INTERNAL DIMENSIONS: 65 [1651]W X 72 [1829]L X 52 [1321]H
- FOR RECOMMENDED SLAB SIZE ADD 9" [229] TO THE ENCLOSURE EXTERIOR.

HOTBOX ENCLOSURES ARE NON-RETURNABLE. A SIGNED DRAWING MUST BE RETURNED AT THE TIME OF ORDER. DIMENSIONS ARE IN INCHES OR MILLIMETERS IN BRACKETS UNLESS OTHERWISE NOTED.				
DRN	BY	DATE	WEIGHT	LOC
	KPC	9/15/09	248# 112kg	LC
CHK			SCALE	S
ENG			1/2"=1'	REV
APR			SIZE	A
APR			B	9/09
PROJECT NUMBER			DRAWING NUMBER	
09873			HA065072052	
SHEET 1 OF 1				

3621 INDUSTRIAL PARK DR
LENOIR CITY, TN 37771
800-346-3062
www.hot-box.com

HUBBELL
DRAWING DESCRIPTION
HOT BOX®
(2 SECTION) ALUMINUM ENCLOSURE
HB8000AE