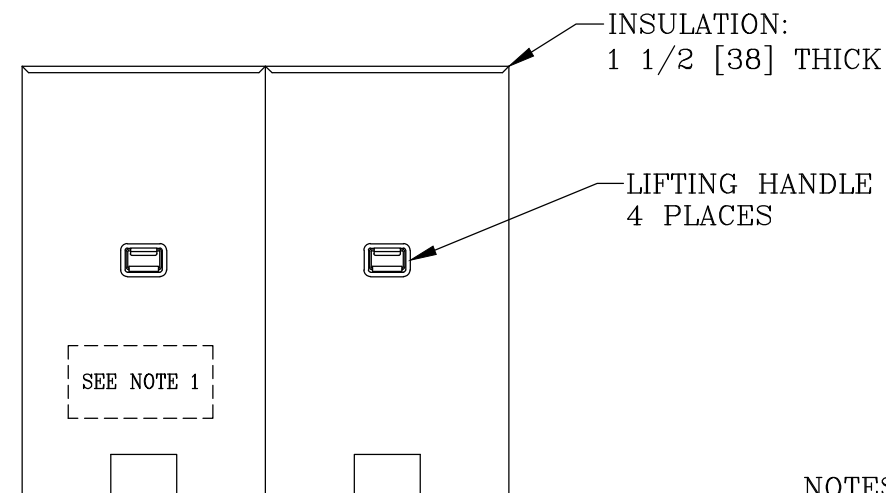
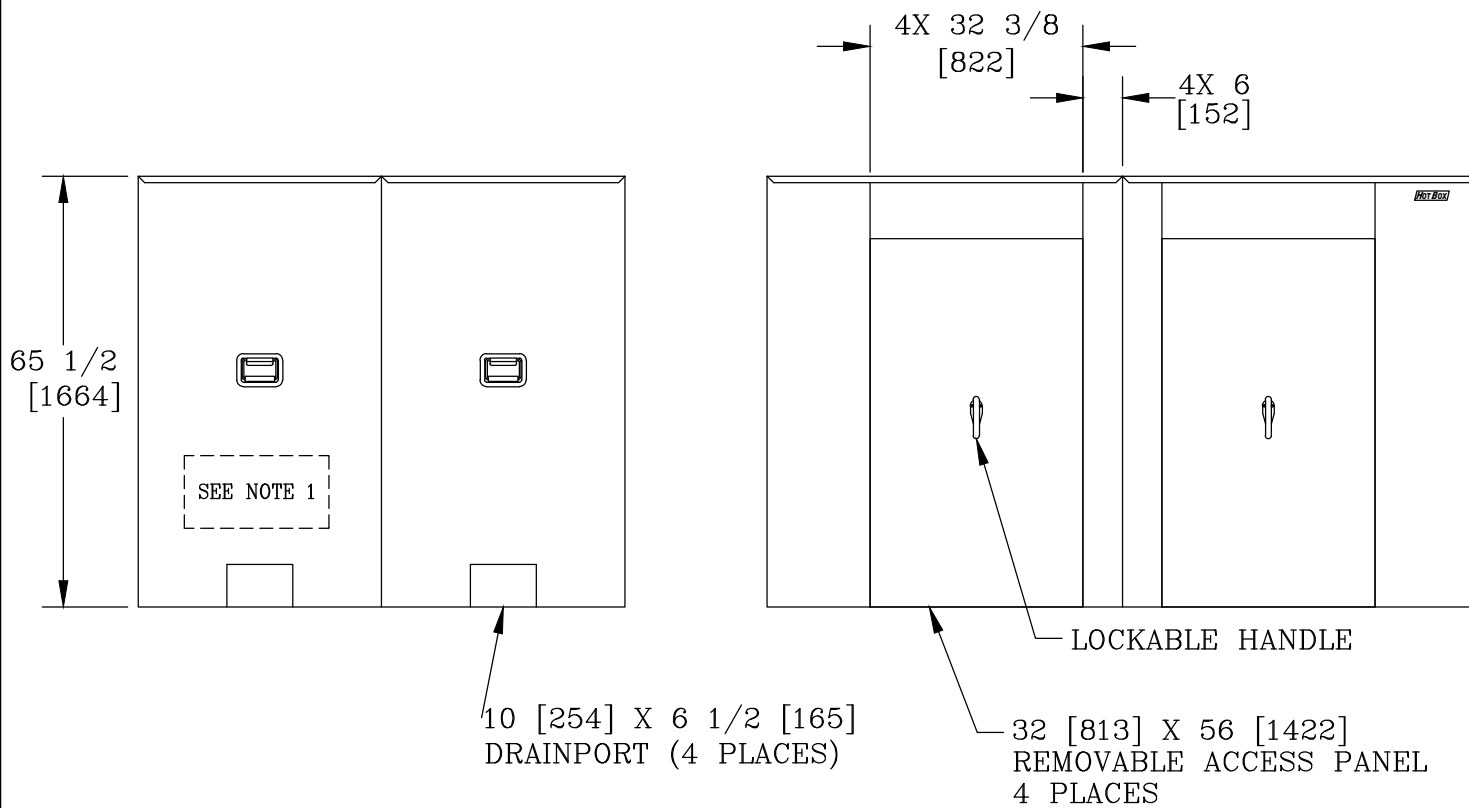



VIEW A-A



NOTES:

- HEAT IS PROVIDED BY (2) 1500WATT, 120V SINGLE PHASE HEATERS. FOR UNHEATED VERSION REPLACE THE PREFIX "H" WITH AN "L".
- INTERNAL DIMENSIONS: 71 [1803]W X 105 [2667]L X 64 [1626]H
- FOR RECOMMENDED SLAB SIZE ADD 9" [229] TO THE ENCLOSURE EXTERIOR.

HOTBOX ENCLOSURES ARE NON-RETURNABLE. A SIGNED DRAWING MUST BE RETURNED AT THE TIME OF ORDER. DIMENSIONS ARE IN INCHES OR MILLIMETERS IN BRACKETS UNLESS OTHERWISE NOTED.					
DRN	BY	DATE	WEIGHT 400# 181kg	LOC LC S	
CHK	KPL	9/9/09	 3621 INDUSTRIAL PARK DR LENOIR CITY, TN 37771 800-346-3062 www.hot-box.com	REV	
ENG				SCALE NTS	A
APR				SIZE B	9/09
APR				DRAWING DESCRIPTION HOT BOX® (4 SECTION) ALUMINUM ENCLOSURE HB6E-D	
PROJECT NUMBER 09851			DRAWING NUMBER HA071105064		
SHEET 1 OF 1					