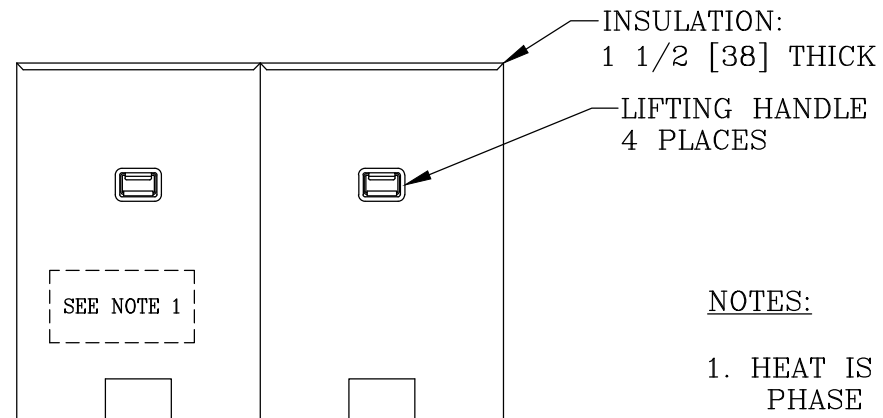
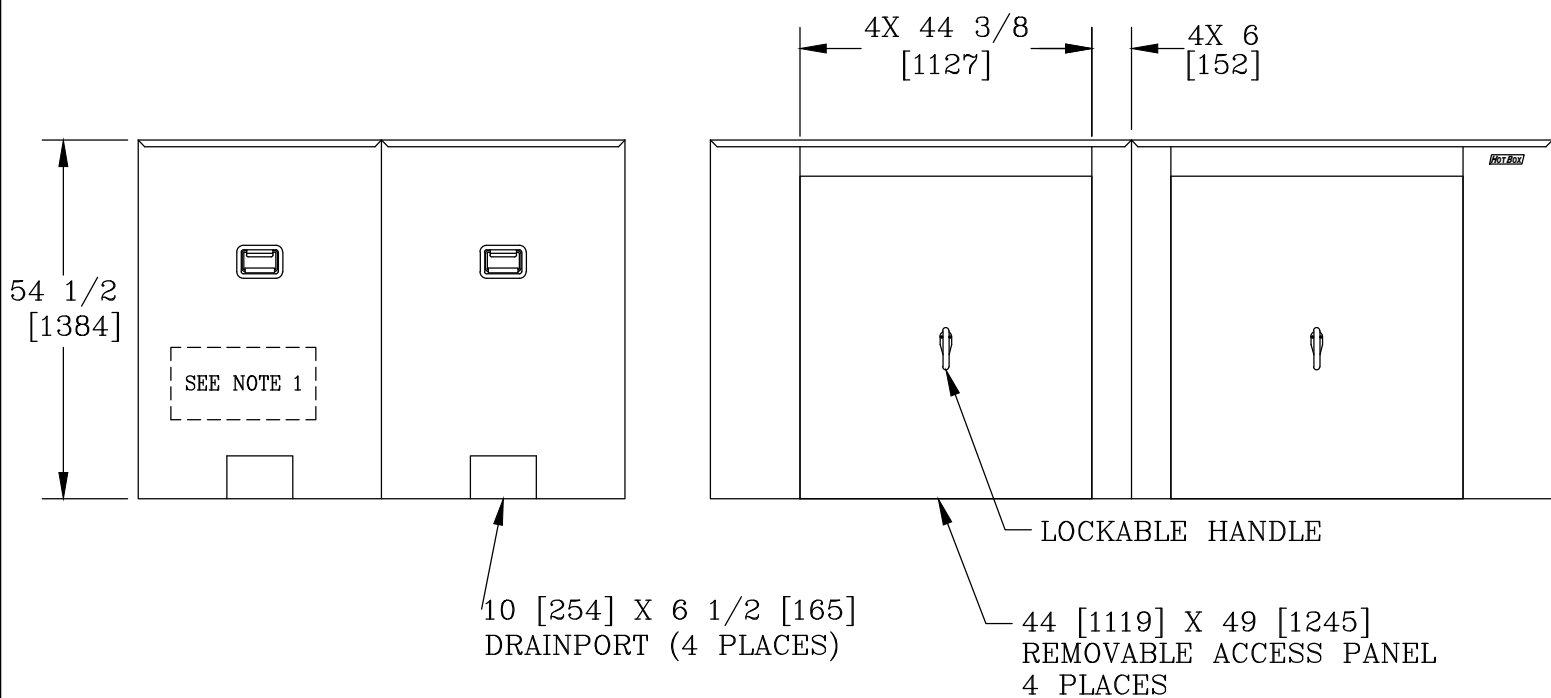


VIEW A-A



NOTES:

- HEAT IS PROVIDED BY (2) 1500WATT, 120V SINGLE PHASE HEATERS. FOR UNHEATED VERSION REPLACE THE PREFIX "H" WITH AN "L".
- INTERNAL DIMENSIONS: 71 [1803]W X 125 [3175]L X 53 [1346]H
- FOR RECOMMENDED SLAB SIZE ADD 9" [229] TO THE ENCLOSURE EXTERIOR.

HOTBOX ENCLOSURES ARE NON-RETURNABLE. A SIGNED DRAWING MUST BE RETURNED AT THE TIME OF ORDER. DIMENSIONS ARE IN INCHES OR MILLIMETERS IN BRACKETS UNLESS OTHERWISE NOTED.				
DRN	BY	DATE	WEIGHT	LOC
	KPC	9/9/09	397# 180kg	LC
CHK			SCALE	REV
ENG			3/8"=1'	A
APR			SIZE	9/09
APR			B	
PROJECT NUMBER			DRAWING NUMBER	
09850			HA071125053	
SHEET 1 OF 1				



3621 INDUSTRIAL PARK DR  
LENOIR CITY, TN 37771  
800-346-3062  
www.hot-box.com

DRAWING DESCRIPTION  
**HOT BOX®**  
(4 SECTION) ALUMINUM ENCLOSURE  
HB6N-DS