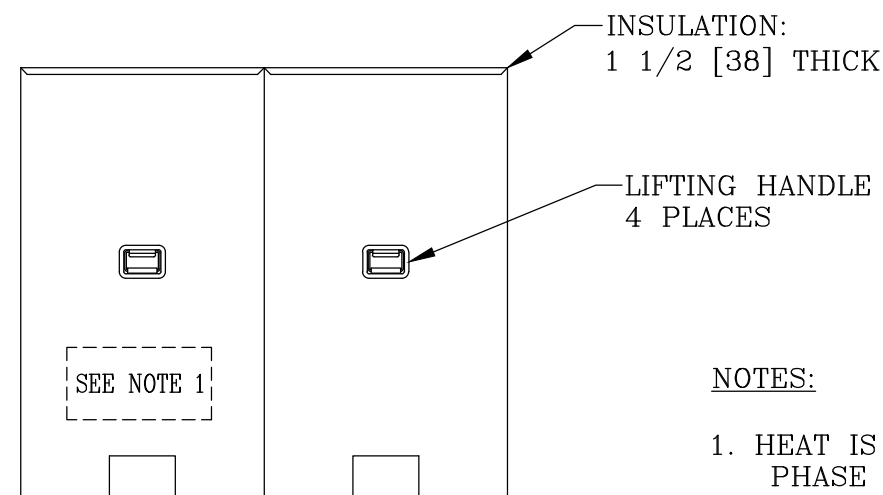
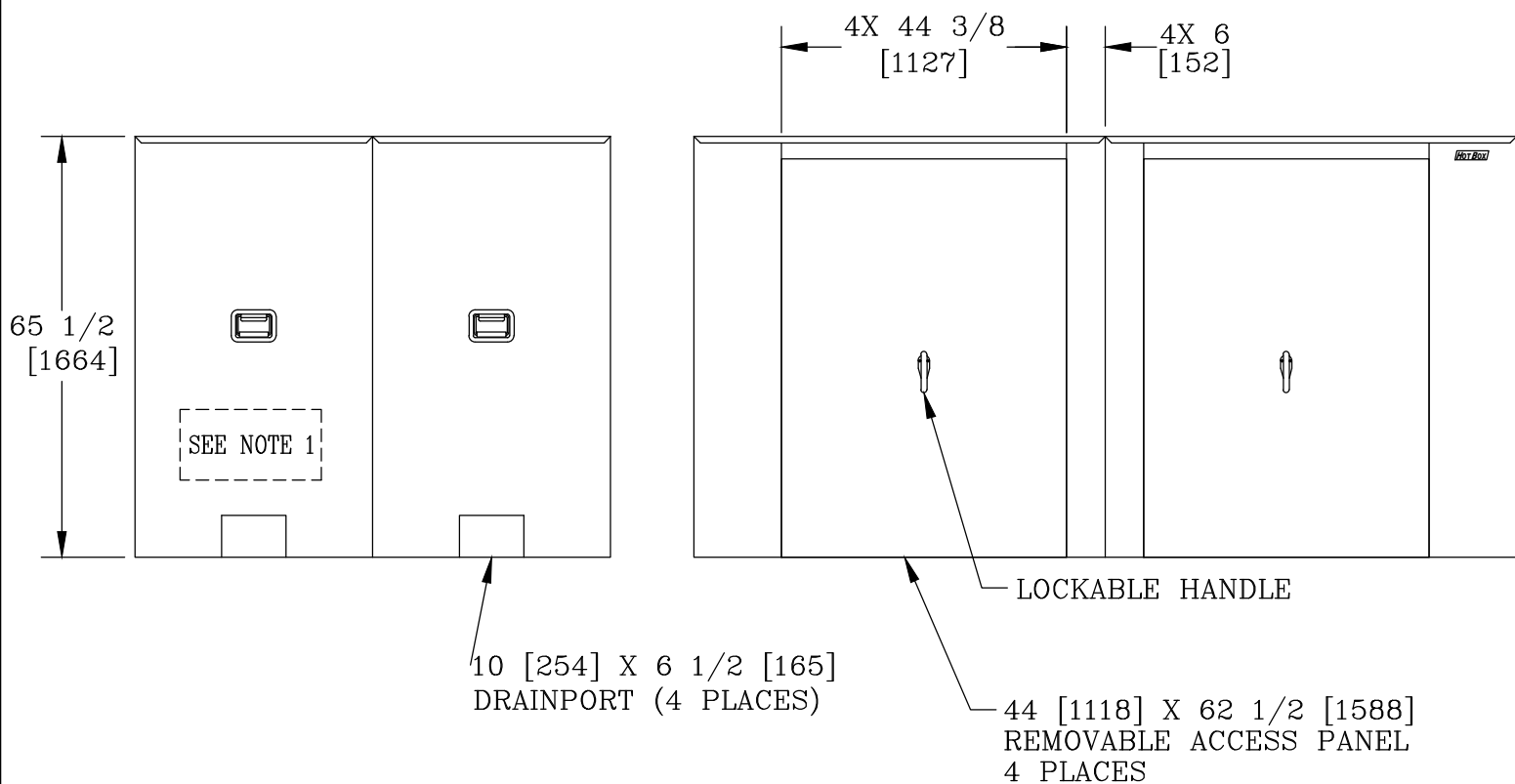


VIEW A-A



NOTES:

- HEAT IS PROVIDED BY (2) 1500WATT, 120V SINGLE PHASE HEATERS. FOR UNHEATED VERSION REPLACE THE PREFIX "H" WITH AN "L".
- INTERNAL DIMENSIONS: 71 [1803]W X 125 [3175]L X 64 [1626]H
- FOR RECOMMENDED SLAB SIZE ADD 9" [229] TO THE ENCLOSURE EXTERIOR.

| | | | | |
|---|-----|---------|--|----------------|
| HOTBOX ENCLOSURES ARE NON-RETURNABLE. A SIGNED DRAWING MUST BE RETURNED AT THE TIME OF ORDER. DIMENSIONS ARE IN INCHES OR MILLIMETERS IN BRACKETS UNLESS OTHERWISE NOTED. | | | | |
| DRN | BY | DATE | WEIGHT 439# 199kg | LOC LC S |
| CHK | KPC | 9/10/09 | SCALE 3/8"=1' | REV A |
| ENG | | | DRAWING DESCRIPTION HOT BOX® (4 SECTION) ALUMINUM ENCLOSURE HB6E-DS | 9/09 |
| APR | | | | SIZE B |
| PROJECT NUMBER 09852 | | | DRAWING NUMBER HA071125064 | |
| SHEET 1 OF 1 | | | | |