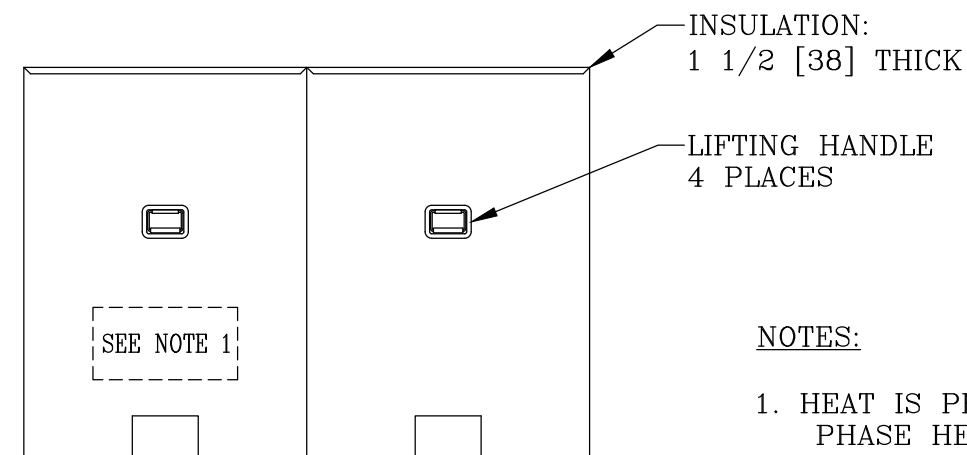
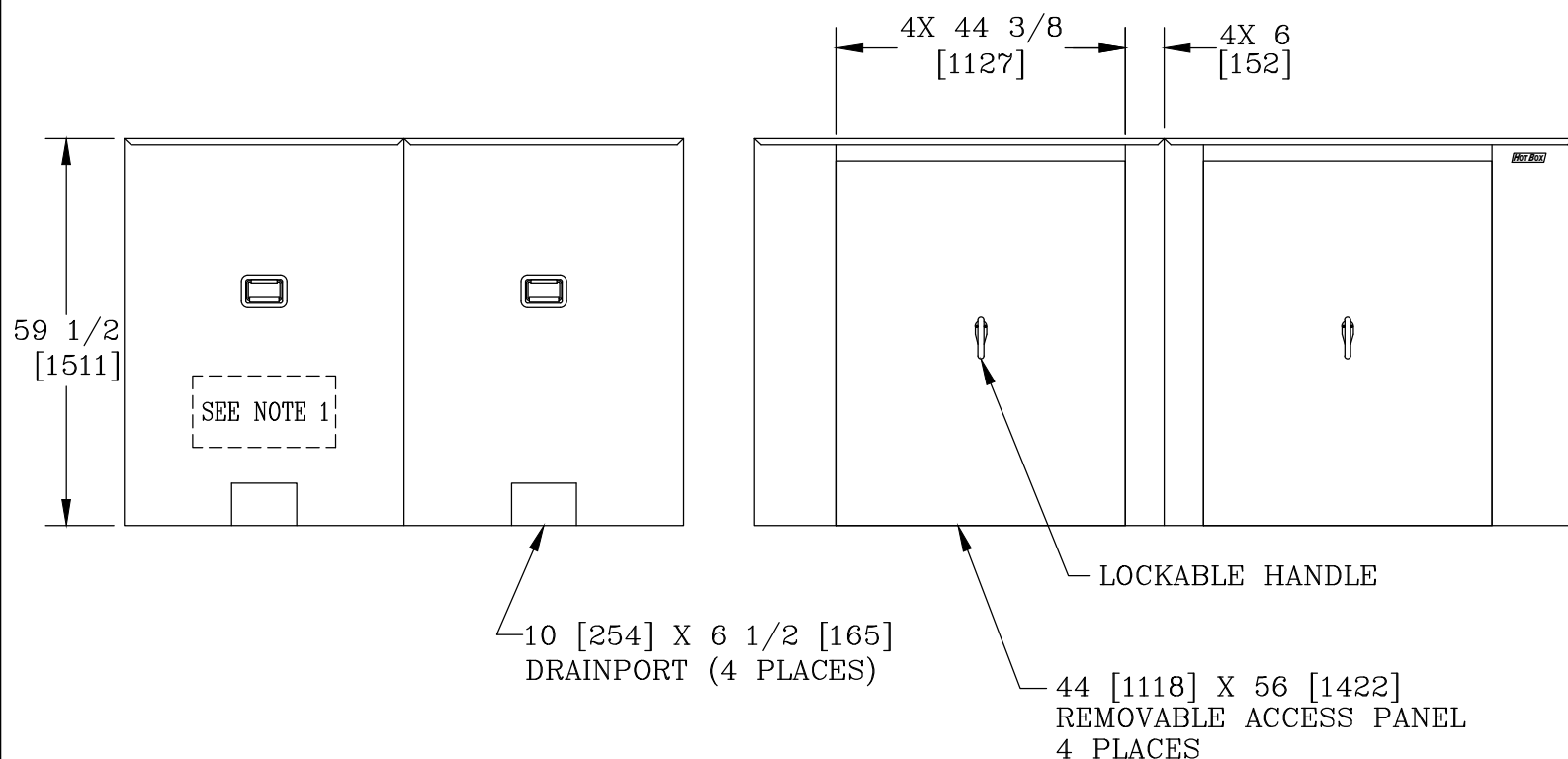



VIEW A-A



NOTES:

- HEAT IS PROVIDED BY (2) 1900WATT, 120V SINGLE PHASE HEATERS. FOR UNHEATED VERSION REPLACE THE PREFIX "H" WITH AN "L".
- INTERNAL DIMENSIONS: 83 [2108]W X 123 [3124]L X 58 [1473]H
- FOR RECOMMENDED SLAB SIZE ADD 9" [229] TO THE ENCLOSURE EXTERIOR.

HOTBOX ENCLOSURES ARE NON-RETURNABLE. A SIGNED DRAWING MUST BE RETURNED AT THE TIME OF ORDER. DIMENSIONS ARE IN INCHES OR MILLIMETERS IN BRACKETS UNLESS OTHERWISE NOTED.				 3621 INDUSTRIAL PARK DR LENOIR CITY, TN 37771 800-346-3062 www.hot-box.com		LOC
DRN	BY	DATE	WEIGHT	DRAWING DESCRIPTION	HOT BOX® (4 SECTION) ALUMINUM ENCLOSURE HB8N-D	LC
CHK	<i>KPC</i>	9/10/09	476#			REV
ENG			216kg			A
APR			SCALE			9/09
APR			3/8"=1'			
PROJECT NUMBER			SIZE	DRAWING NUMBER		
09853			B	HA083123058		
SHEET 1 OF 1						