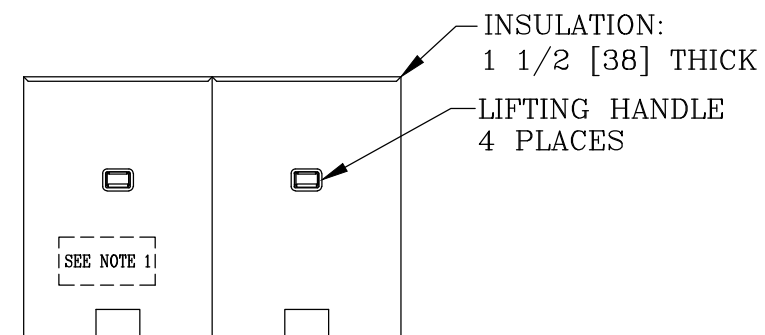
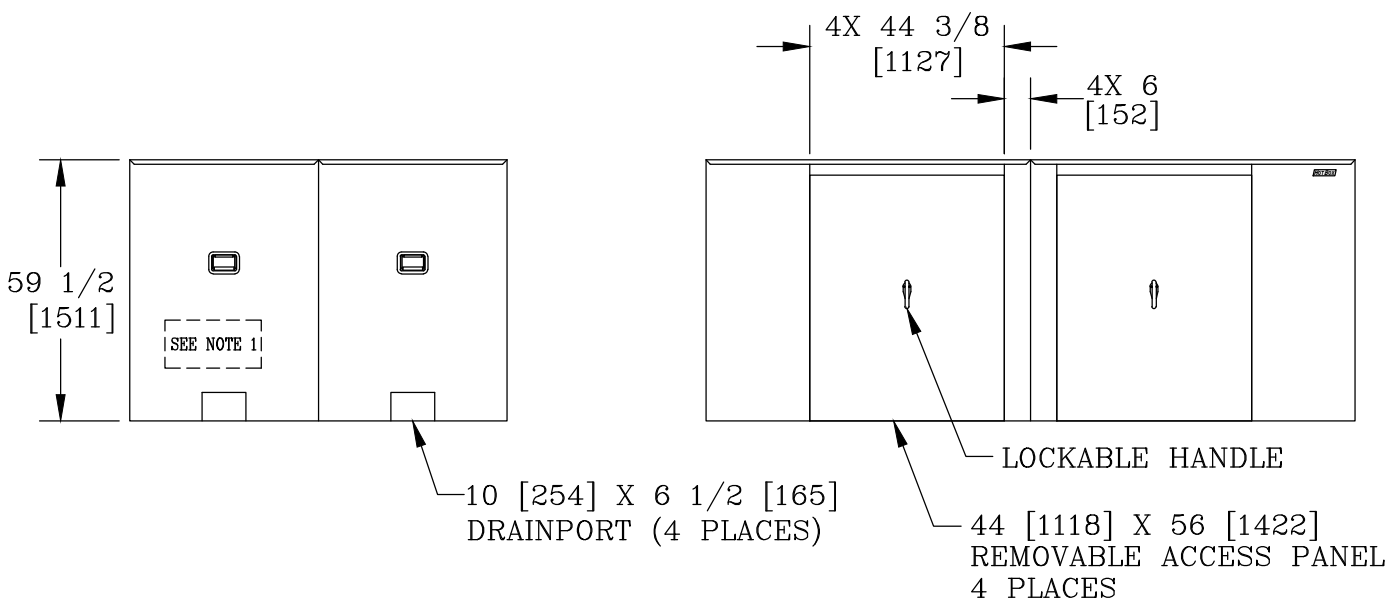



VIEW A-A



NOTES:

- HEAT IS PROVIDED BY (2) 1900WATT, 120V SINGLE PHASE HEATERS. FOR UNHEATED VERSION REPLACE THE PREFIX "H" WITH AN "L".
- INTERNAL DIMENSIONS: 83 [2108]W X 145 [3683]L X 58 [1473]H
- FOR RECOMMENDED SLAB SIZE ADD 9" [229] TO THE ENCLOSURE EXTERIOR.

HOTBOX ENCLOSURES ARE NON-RETURNABLE. A SIGNED DRAWING MUST BE RETURNED AT THE TIME OF ORDER. DIMENSIONS ARE IN INCHES OR MILLIMETERS IN BRACKETS UNLESS OTHERWISE NOTED.				
BY	DATE	WEIGHT	 3621 INDUSTRIAL PARK DR LENOIR CITY, TN 37771 800-346-3062 www.hot-box.com	LOC
DRN	KPL	9/10/09		515# 234kg
CHK			SCALE	REV
ENG			1/4"=1'	A
APR			DRAWING DESCRIPTION	HOT BOX® (4 SECTION) ALUMINUM ENCLOSURE HB8N-DS
APR				
PROJECT NUMBER		DRAWING NUMBER		
09854		HA083145058		
SHEET 1 OF 1				