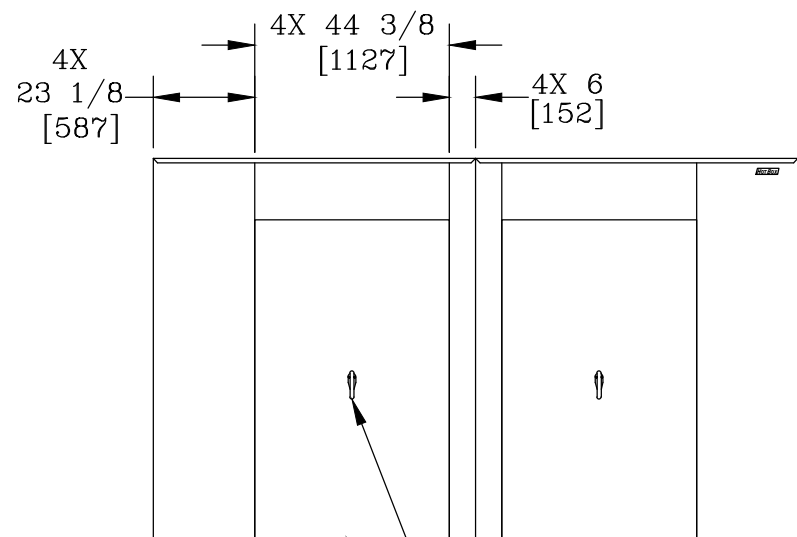
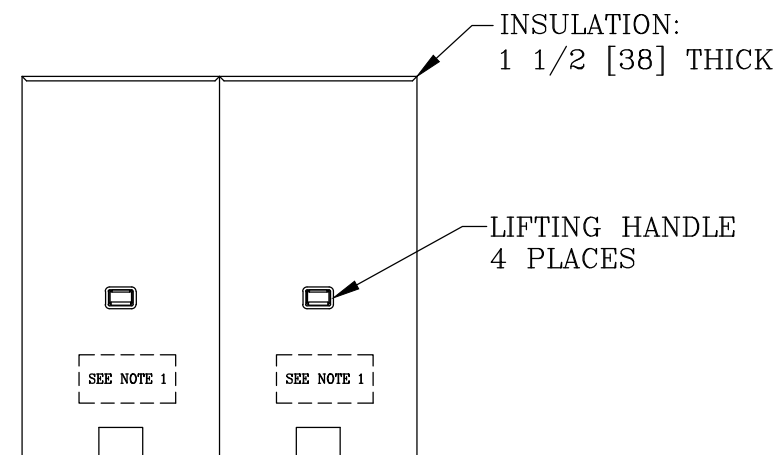


VIEW A-A



10 [254] X 6 1/2 [165]
DRAINPORT (4 PLACES)

LOCKABLE HANDLE
44 [1118] X 72 1/2 [1842]
REMOVABLE ACCESS PANEL
4 PLACES




INSULATION:
1 1/2 [38] THICK

LIFTING HANDLE
4 PLACES

NOTES:

- HEAT IS PROVIDED BY (4) 1500WATT, 120V SINGLE PHASE HEATERS. FOR UNHEATED VERSION REPLACE THE PREFIX "H" WITH AN "L".
- INTERNAL DIMENSIONS: 87 [2210]W X 144 [3658]L X 85 [2159]H
- FOR RECOMMENDED SLAB SIZE ADD 9" [229] TO THE ENCLOSURE EXTERIOR.

HOTBOX ENCLOSURES ARE NON-RETURNABLE. A SIGNED DRAWING MUST BE RETURNED AT THE TIME OF ORDER. DIMENSIONS ARE IN INCHES OR MILLIMETERS IN BRACKETS UNLESS OTHERWISE NOTED.				 3621 INDUSTRIAL PARK DR LENOIR CITY, TN 37771 800-346-3062 www.hot-box.com		LOC
DRN	BY	DATE	WEIGHT	DRAWING DESCRIPTION	HOT BOX® (4 SECTION) ALUMINUM ENCLOSURE HB10E-D	LC
CHK	KPE	9/14/09	674# 306kg			S
ENG			SCALE			REV
APR			1/4"=1'			A
APR			SIZE			9/09
PROJECT NUMBER			DRAWING NUMBER			
09859			HA087144085			
SHEET 1 OF 1						