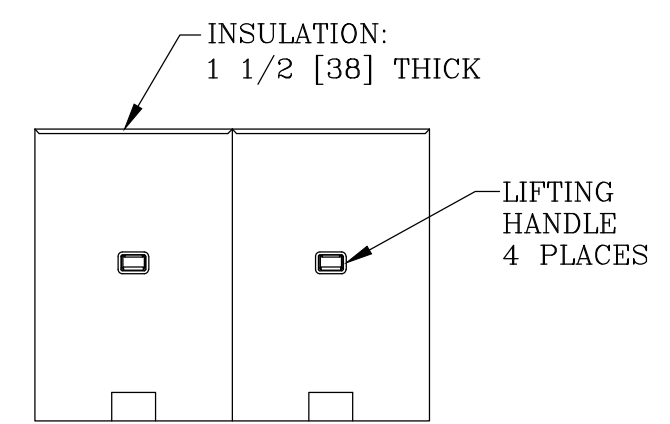
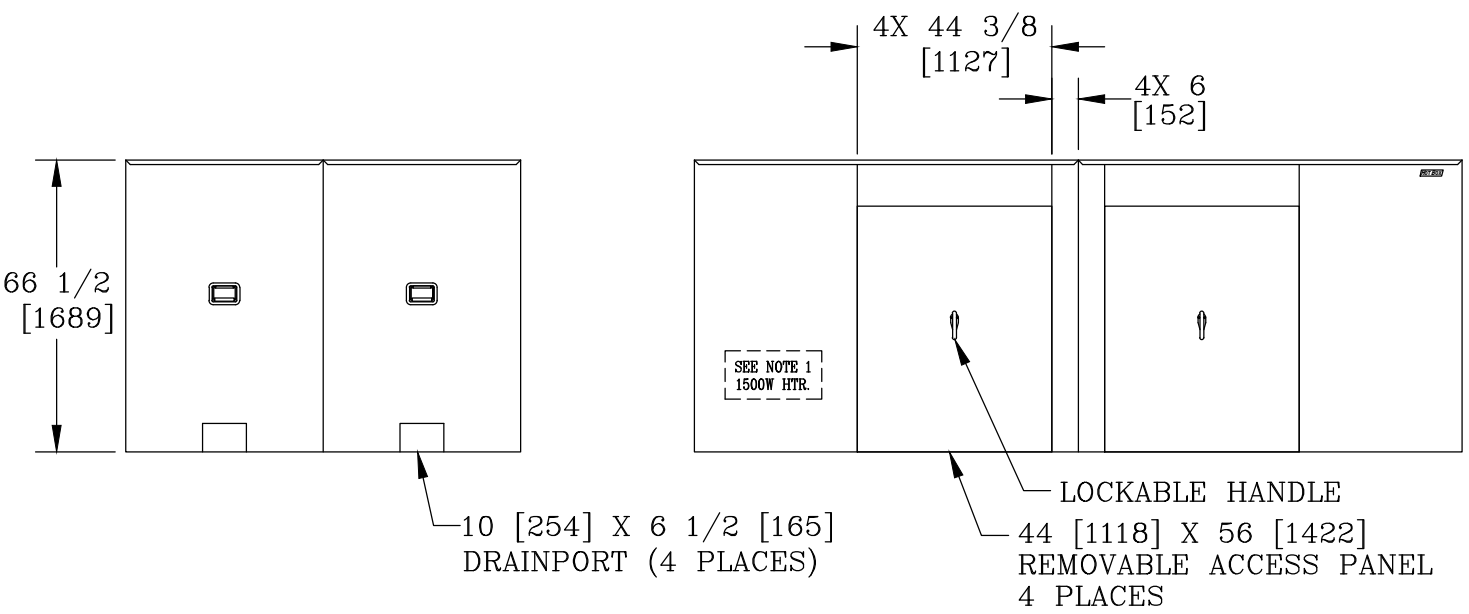



VIEW A-A



NOTES:

- HEAT IS PROVIDED BY (2) 1500WATT & (1) 1900WATT, 120V SINGLE PHASE HEATERS. FOR UNHEATED VERSION REPLACE THE PREFIX "H" WITH AN "L".
- INTERNAL DIMENSIONS: 87 [2210]W X 172 [4369]L X 65 [1651]H
- FOR RECOMMENDED SLAB SIZE ADD 9" [229] TO THE ENCLOSURE EXTERIOR.

|   |    |      |        |   |  |     |
|---|----|------|--------|---|--|-----|
| HOTBOX ENCLOSURES ARE NON-RETURNABLE. A SIGNED DRAWING MUST BE RETURNED AT THE TIME OF ORDER. DIMENSIONS ARE IN INCHES OR MILLIMETERS IN BRACKETS UNLESS OTHERWISE NOTED. |    |      |        |  3621 INDUSTRIAL PARK DR<br>LENOIR CITY, TN 37771<br>800-346-3062<br>www.hot-box.com |  | LOC |
| DRN   | BY | DATE | WEIGHT | DRAWING DESCRIPTION   | HOT BOX®<br>ALUMINUM ENCLOSURE<br>HB10N-DS | LC  |
| CHK   |    |      | 663#   |   |  |     |
| ENG   |    |      | 301kg  |   |  |     |
| APR   |    |      | SCALE  |   |  |     |
| APR   |    |      | NTS    |   |  |     |
| PROJECT NUMBER  |    |      | SIZE   | DRAWING NUMBER  |  | REV |
| 09858   |    |      | B      | HA087172065   |  | A   |
| SHEET 1 OF 1  |    |      |        | 9/09  |  |     |