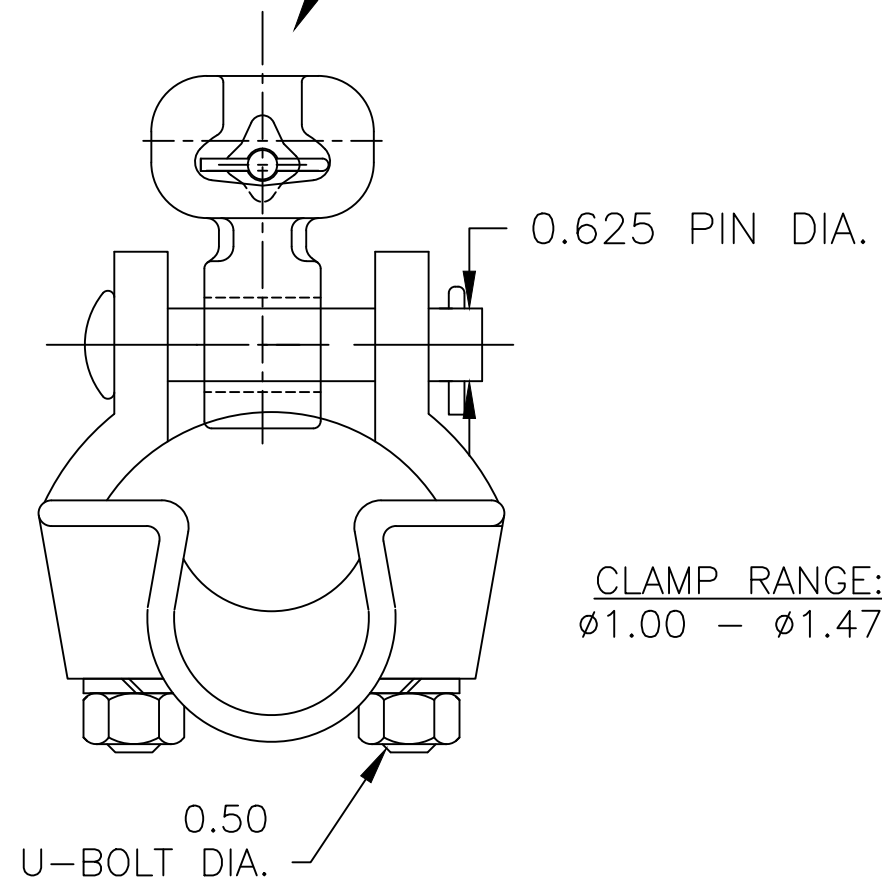
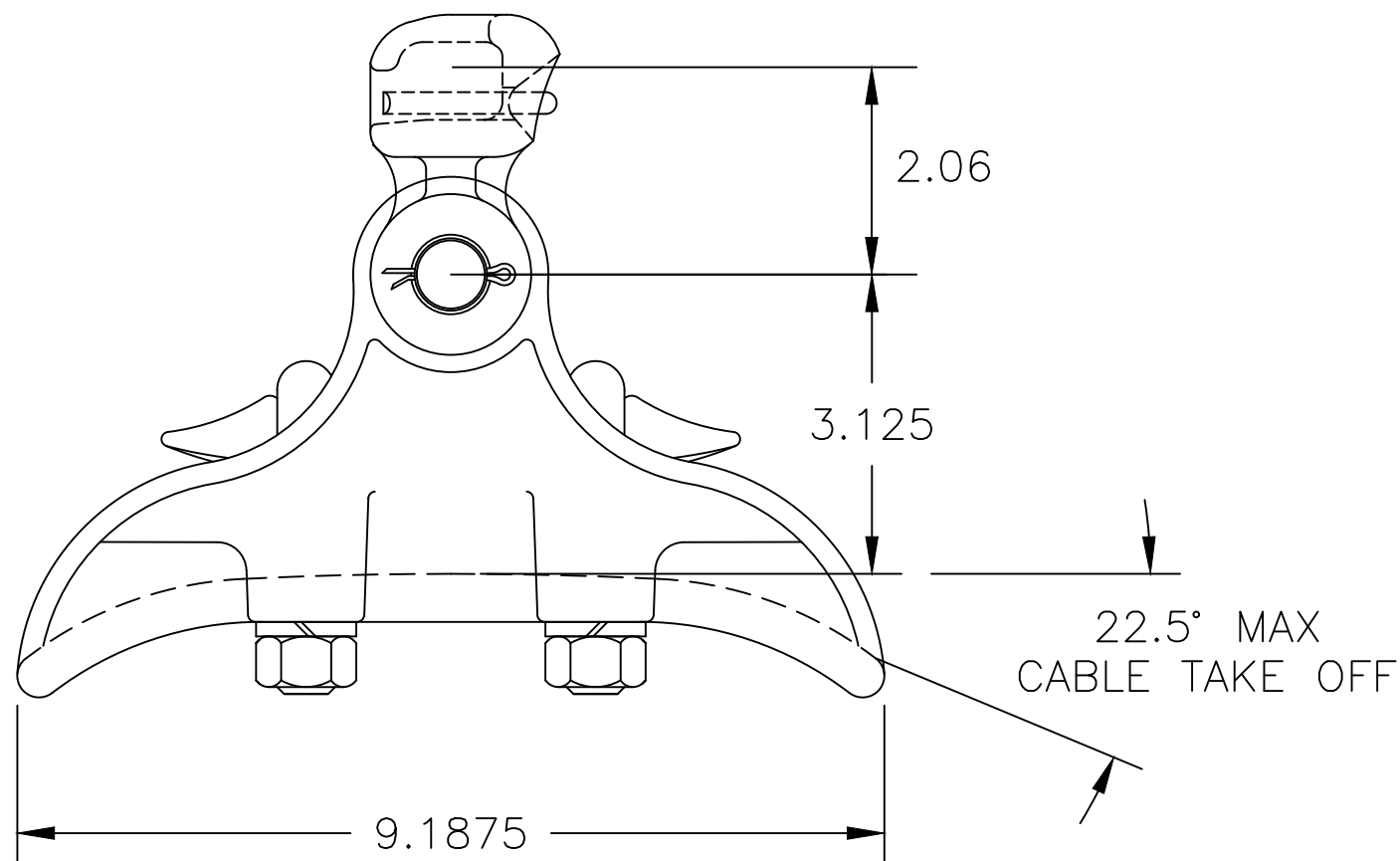


SHIP ASSEMBLED

ANSI C-29.2  
CLASS 52-3 OR 52-5 SOCKET



NOTES:

1. MATERIAL: CLAMP BODY & KEEPER: ALUMINUM ALLOY  
SOCKET: GALVANIZED DUCTILE IRON  
COTTER PIN: STAINLESS STEEL  
CLEVIS PIN, U-BOLTS, NUTS, WASHERS: GALV. STEEL
2. DIMENSIONS IN INCHES.
3. WEIGHT: 5.10 LBS.
4. 25,000 LBS. ULTIMATE STRENGTH
5. FOR HEX HEAD BOLT AND HEX JAM NUT INSTEAD OF CLEVIS PIN  
ADD BNK SUFFIX TO CAT. NO. (HAS147SBNK)

--	--	--	--	ANDERSON®	<b>HUBBELL® POWER SYSTEMS</b>
EC #	DATE	CHG BY	RESP ENG		
DESC OF DWG: -- -- -- --				CONFIDENTIAL: THIS DRAWING AND ITS CONTENTS ARE CONFIDENTIAL AND THE EXCLUSIVE PROPERTY OF HUBBELL POWER SYSTEMS. NO PUBLICATION, DISTRIBUTION OR COPIES MAY BE MADE WITHOUT THE WRITTEN CONSENT OF HUBBELL POWER SYSTEMS. HUBBELL POWER SYSTEMS UNPUBLISHED ALL RIGHTS RESERVED UNDER THE COPYRIGHT LAWS.	ALUMINUM SUSPENSION CLAMP
REASON (S) FOR CHANGE: -- DISPOSITION OF MAT'L: --					SIZE: <b>B</b> DWG NO.: <b>CUTSHEET</b> CAT / PART / ASSY NO.: <b>HAS-147-S</b> REV: <b>A</b>
DO NOT SCALE THIS DRAWING					DRN BY: <b>QJ</b> DATE: <b>5/4/2018</b> SHEET 1 OF 1