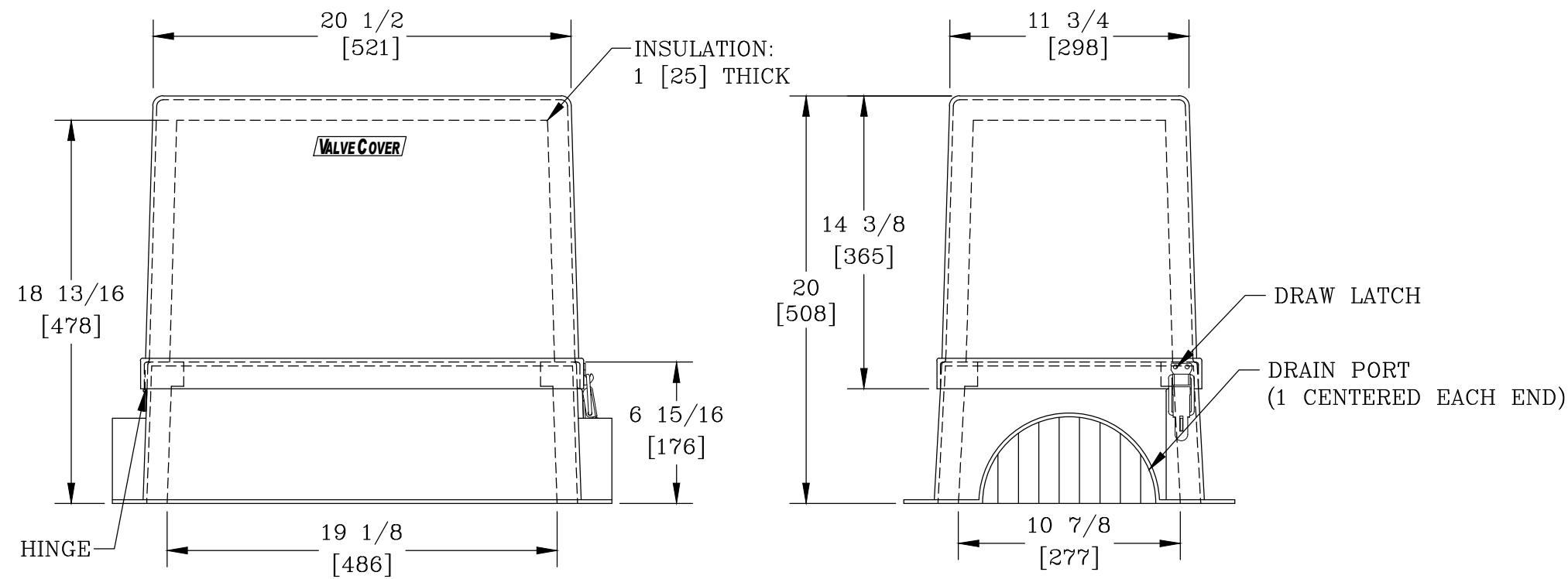
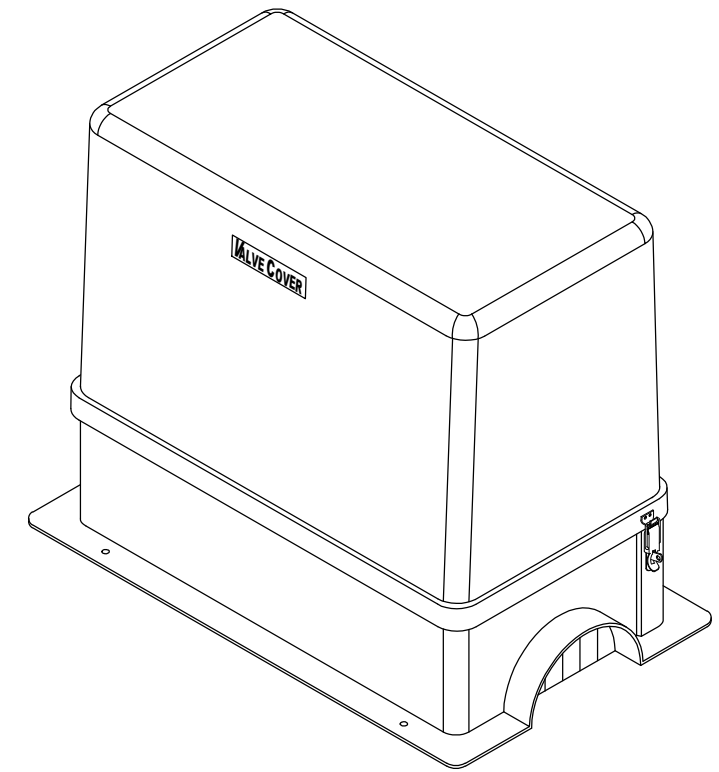


CUSTOMER APPROVAL


APPROVED BY: _____

DATE: _____



NOTES:

- HEAT IS PROVIDED BY A 30WATT, 120V SINGLE PHASE HEAT TRACE TAPE. FOR UNHEATED VERSION REPLACE THE PREFIX "H" WITH AN "L".
- 1/4" X 2" HAMMER DRIVEN ANCHORS FOR MOUNTING THROUGH THE ANCHOR LIP ARE SUPPLIED WITH THE ENCLOSURE. (NOT SHOWN)
- STANDARD COLOR IS BEIGE. (OPTIONS AVAILABLE)
- FOR RECOMMENDED SLAB SIZE ADD 9" [229] TO THE ENCLOSURE EXTERIOR.

HOTBOX ENCLOSURES ARE NON-RETURNABLE. A SIGNED DRAWING MUST BE RETURNED AT THE TIME OF ORDER. DIMENSIONS ARE IN INCHES OR MILLIMETERS IN BRACKETS UNLESS OTHERWISE NOTED.					
DRN	BY	DATE	WEIGHT	 3621 INDUSTRIAL PARK DR LENOIR CITY, TN 37771 800-346-3062 www.hot-box.com	LOC
CHK			32# 14.5kg		LC
ENG			SCALE	DRAWING DESCRIPTION	REV
APR			1 1/2"=1'		B
APR			SIZE		1/22
PROJECT NUMBER			DRAWING NUMBER		
102627			HC009018018		
SHEET 1 OF 1					