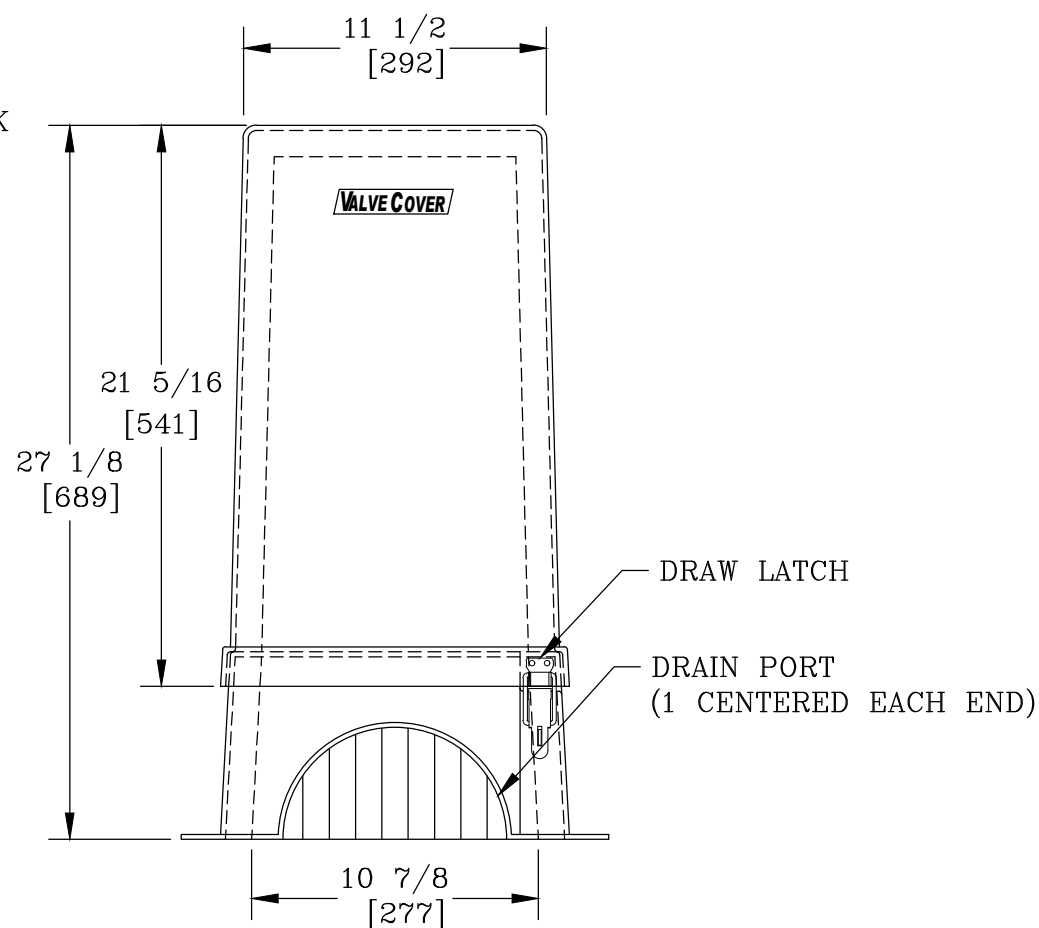
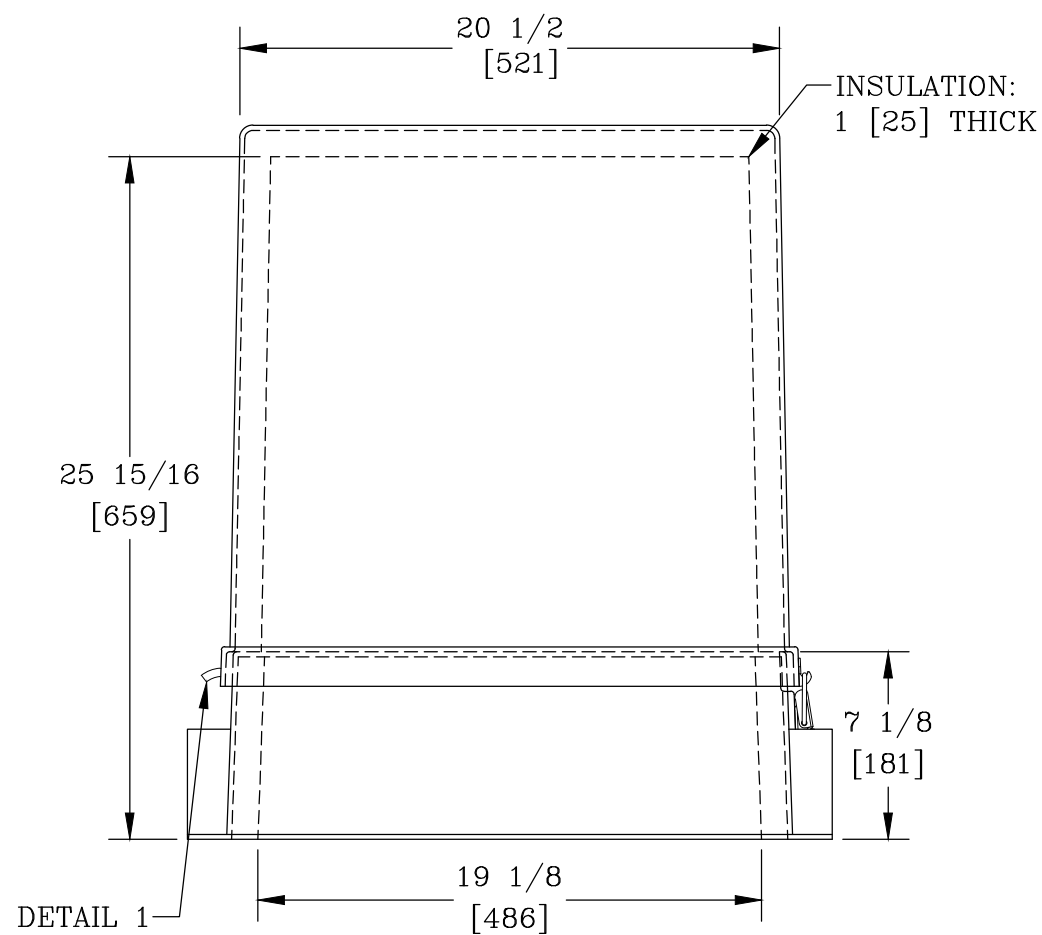
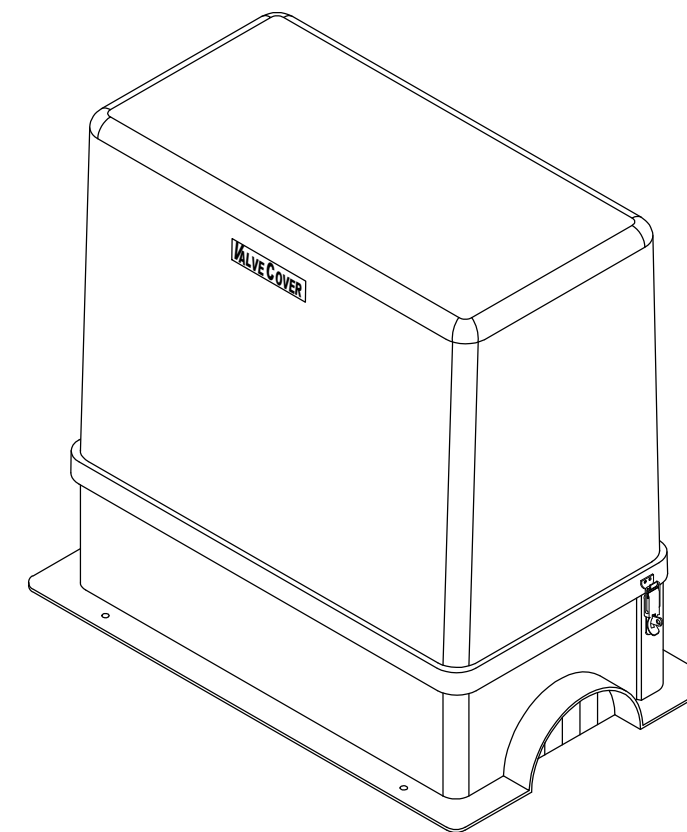
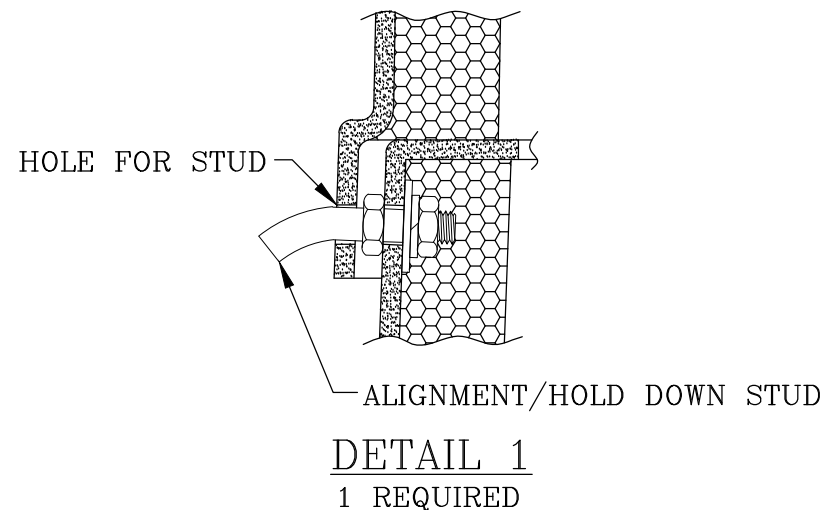
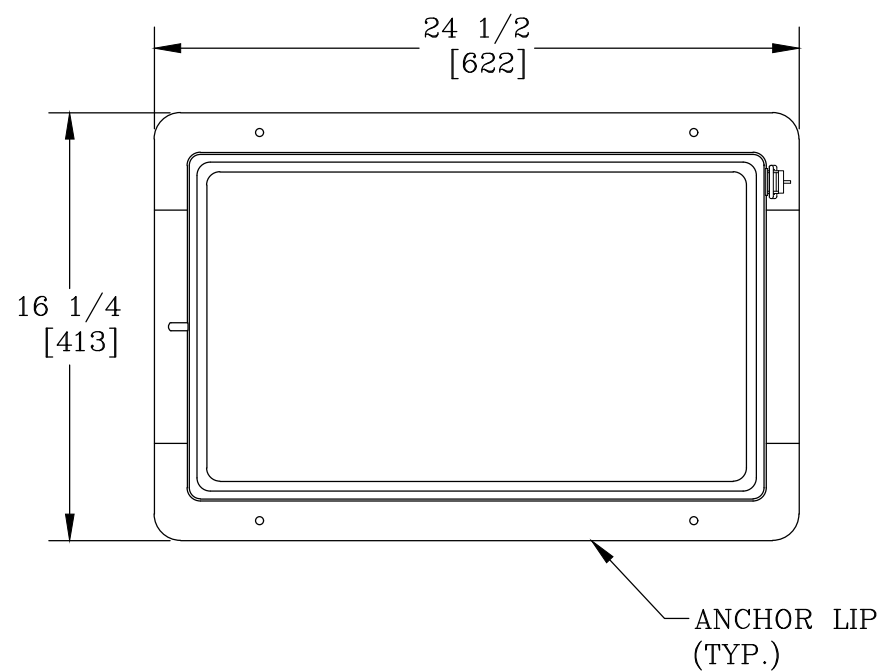



CUSTOMER APPROVAL

APPROVED BY: \_\_\_\_\_  
DATE: \_\_\_\_\_



NOTES:

- HEAT IS PROVIDED BY A 30WATT, 120V SINGLE PHASE HEAT TRACE TAPE. FOR UNHEATED VERSION REPLACE THE PREFIX "H" WITH AN "L".
- 1/4" X 2" HAMMER DRIVEN ANCHORS FOR MOUNTING THROUGH THE ANCHOR LIP ARE SUPPLIED WITH THE ENCLOSURE. (NOT SHOWN)
- STANDARD COLOR IS BEIGE. (OPTIONS AVAILABLE)
- FOR RECOMMENDED SLAB SIZE ADD 9" [229] TO THE ENCLOSURE EXTERIOR.

HOTBOX ENCLOSURES ARE NON-RETURNABLE. A SIGNED DRAWING MUST BE RETURNED AT THE TIME OF ORDER. DIMENSIONS ARE IN INCHES OR MILLIMETERS IN BRACKETS UNLESS OTHERWISE NOTED.					
DRN	BY	DATE	WEIGHT		LOC
CHK			41# 19kg		LC
ENG			SCALE	3621 INDUSTRIAL PARK DR LENOIR CITY, TN 37771 800-346-3062 www.hot-box.com	S
APR			1 1/2"=1'		REV
APR			SIZE		B
PROJECT NUMBER			DRAWING DESCRIPTION		7/14
102627			HOT BOX® FIBERGLASS ENCLOSURE VC1T		
SHEET 1 OF 1			DRAWING NUMBER		
			HC009018024		