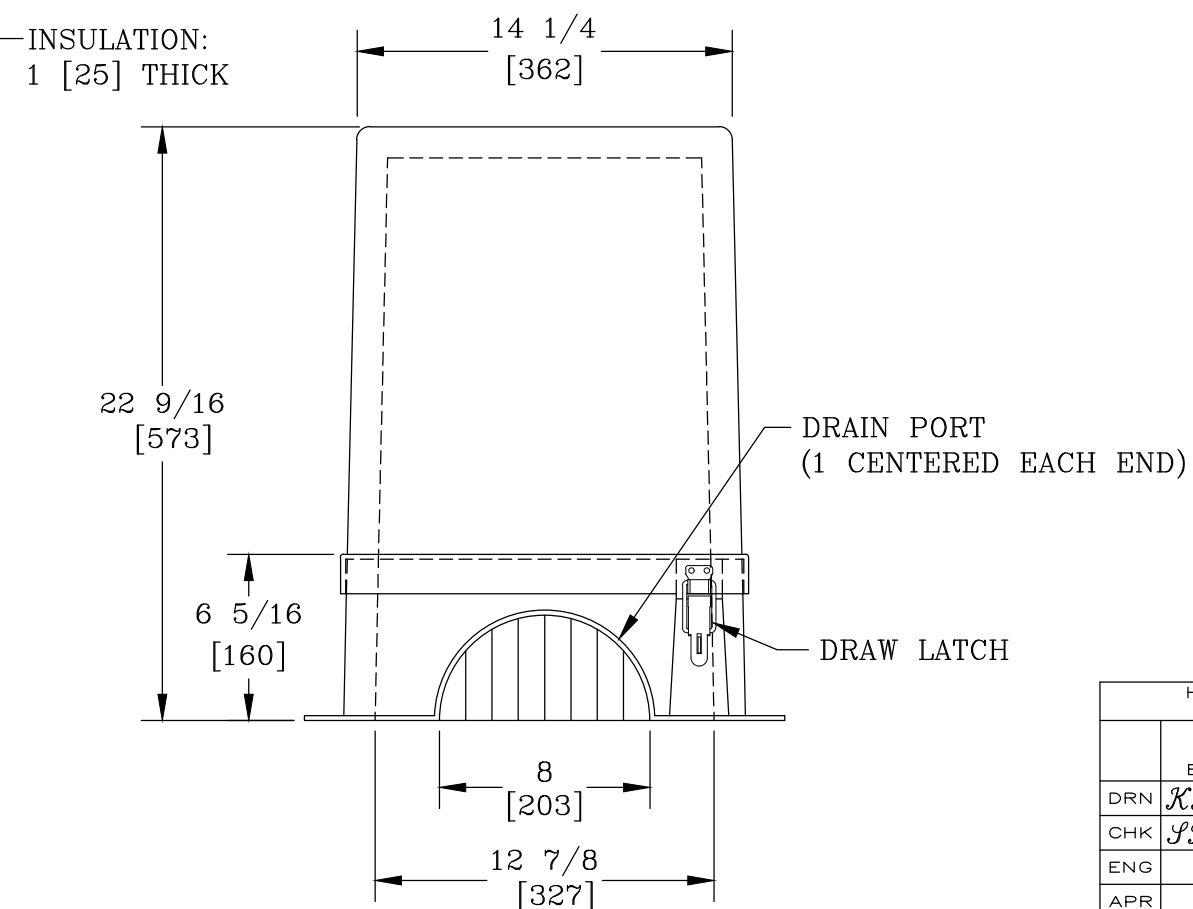
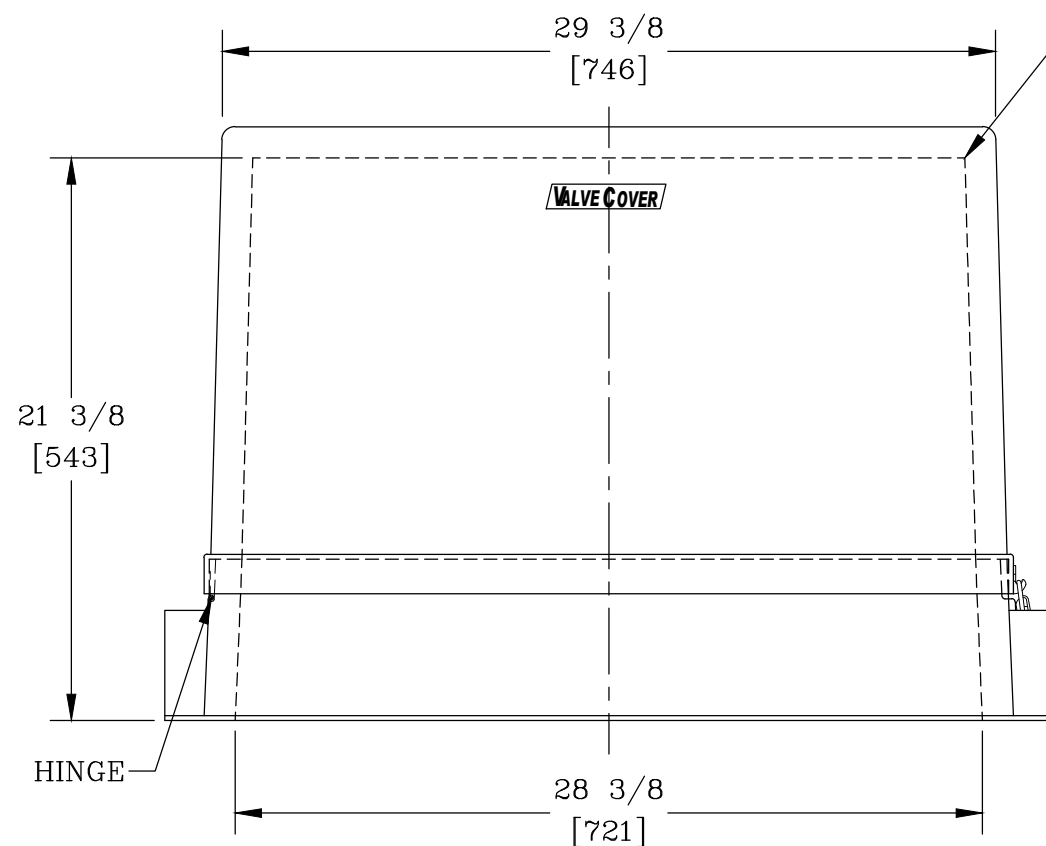
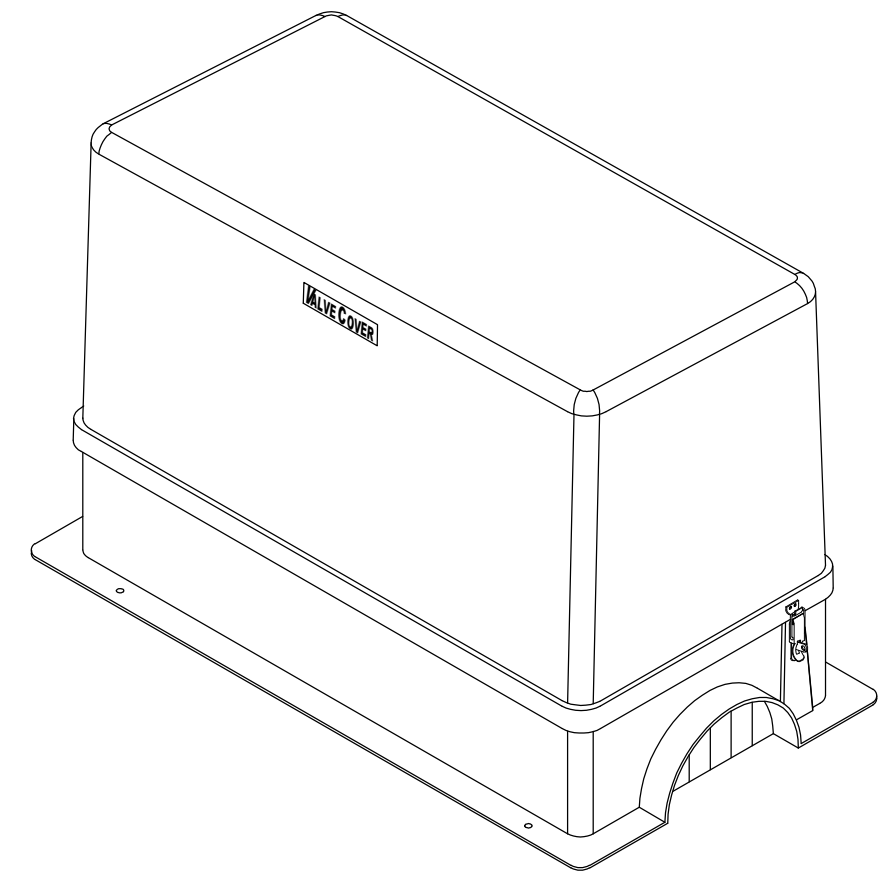


CUSTOMER APPROVAL


APPROVED BY: _____

DATE: _____



NOTES:

- HEAT IS PROVIDED BY A 60WATT, 120V SINGLE PHASE HEAT TRACE TAPE. FOR UNHEATED VERSION REPLACE THE PREFIX "H" WITH AN "L".
- 1/4" X 2" HAMMER DRIVEN ANCHORS FOR MOUNTING THROUGH THE ANCHOR LIP ARE SUPPLIED WITH THE ENCLOSURE. (NOT SHOWN)
- ENCLOSURE COLOR IS BEIGE.
- FOR RECOMMENDED SLAB SIZE ADD 9" [229] TO THE ENCLOSURE EXTERIOR.

HOTBOX ENCLOSURES ARE NON-RETURNABLE. A SIGNED DRAWING MUST BE RETURNED AT THE TIME OF ORDER. DIMENSIONS ARE IN INCHES OR MILLIMETERS IN BRACKETS UNLESS OTHERWISE NOTED.					
DRN	BY	DATE	WEIGHT	 3621 INDUSTRIAL PARK DR LENOIR CITY, TN 37771 800-346-3062 www.hot-box.com	LOC
CHK	<i>KPC</i>	1/18/11	48#		LC
ENG	<i>LBJ</i>	2/25/11	22kg		S
APR			SCALE		REV
APR			1 1/2"=1'		B
PROJECT NUMBER			SIZE	DRAWING DESCRIPTION	2/11
102627			B		
SHEET 1 OF 1				DRAWING NUMBER	HC012026020