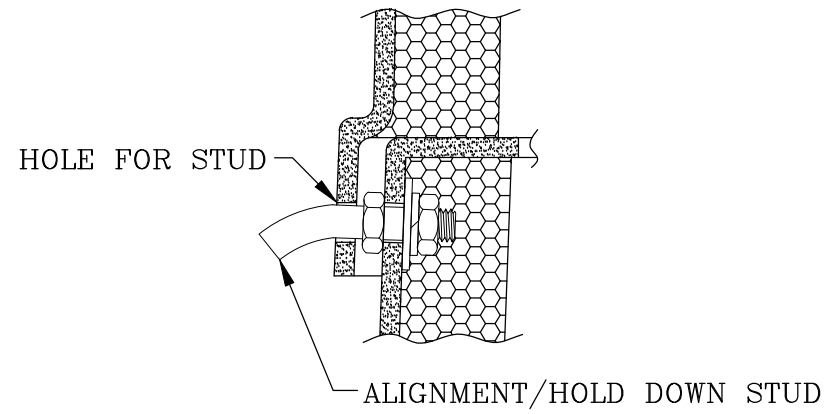
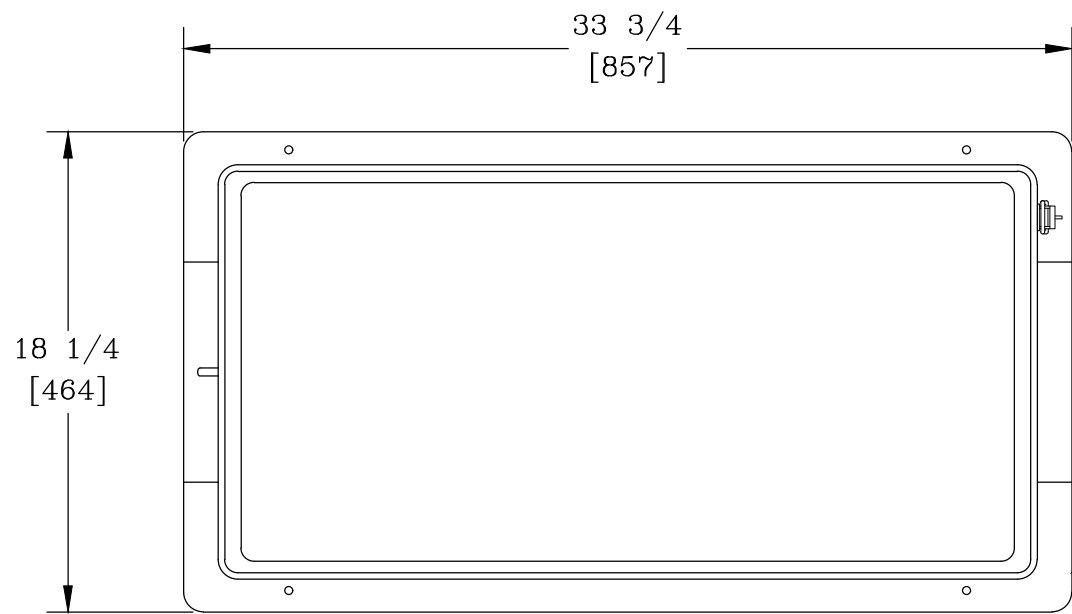
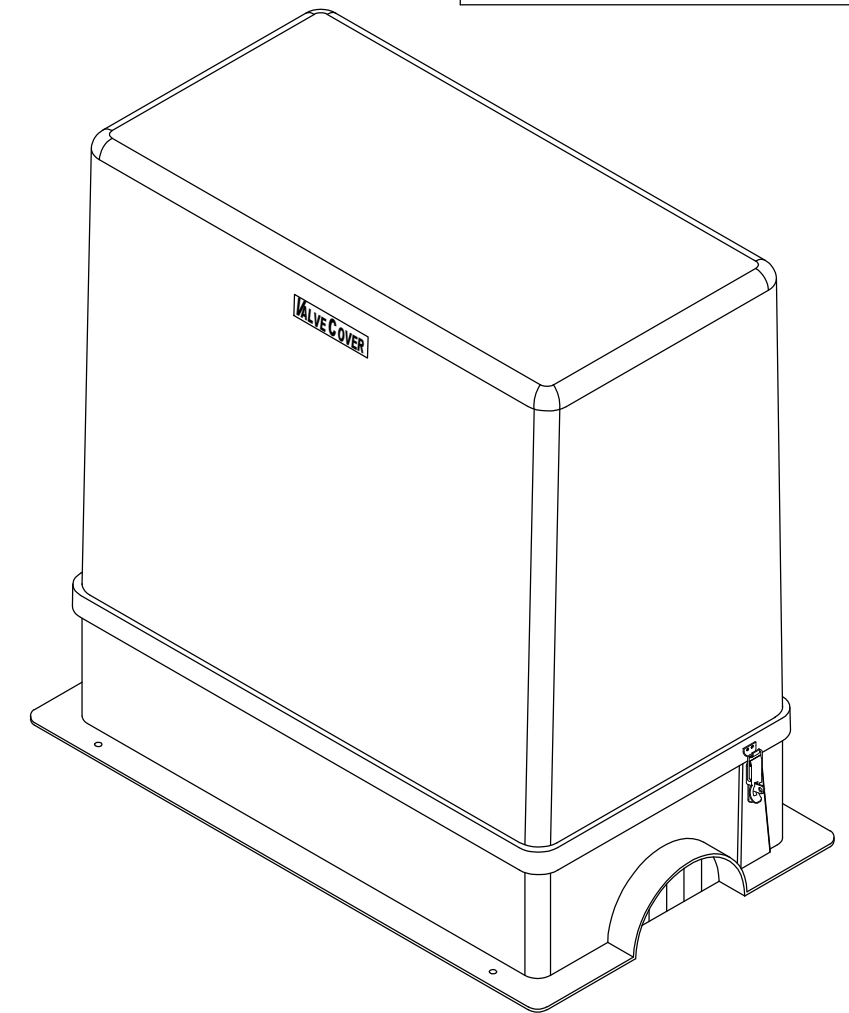


CUSTOMER APPROVAL

APPROVED BY: _____
DATE: _____

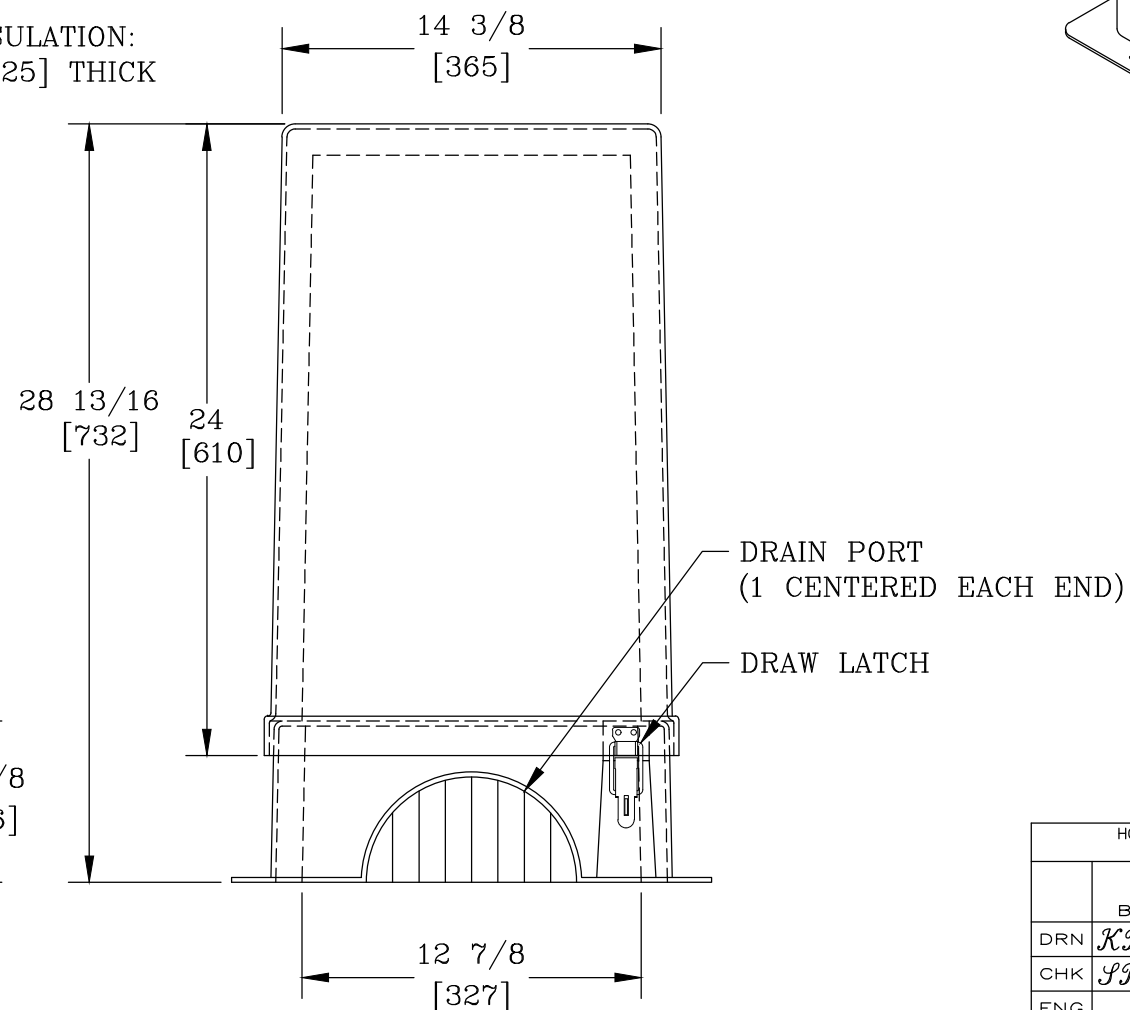
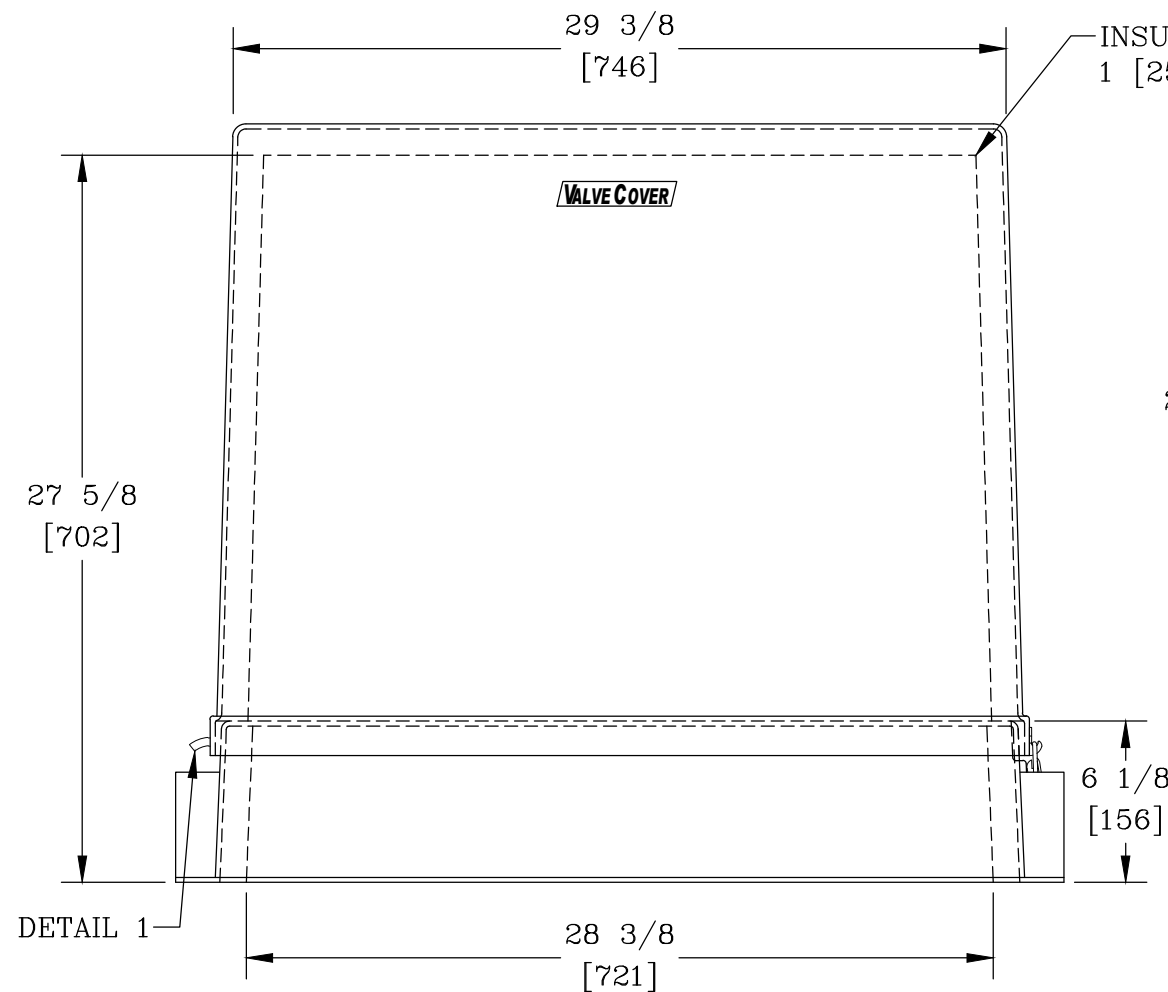



DETAIL 1
1 REQUIRED



NOTES:

- HEAT IS PROVIDED BY A 60WATT, 120V SINGLE PHASE HEAT TRACE TAPE. FOR UNHEATED VERSION REPLACE THE PREFIX "H" WITH AN "L".
- 1/4" X 2" HAMMER DRIVEN ANCHORS FOR MOUNTING THROUGH THE ANCHOR LIP ARE SUPPLIED WITH THE ENCLOSURE. (NOT SHOWN)
- STANDARD COLOR IS BEIGE. (OPTIONS AVAILABLE)
- FOR RECOMMENDED SLAB SIZE ADD 9" [229] TO THE ENCLOSURE EXTERIOR.



HOTBOX ENCLOSURES ARE NON-RETURNABLE. A SIGNED DRAWING MUST BE RETURNED AT THE TIME OF ORDER. DIMENSIONS ARE IN INCHES OR MILLIMETERS IN BRACKETS UNLESS OTHERWISE NOTED.					
DRN	BY	DATE	WEIGHT	 3621 INDUSTRIAL PARK DR LENOIR CITY, TN 37771 800-346-3062 www.hot-box.com	LOC
CHK	<i>KPC</i>	1/18/11	56# 25kg		LC
ENG	<i>LBJ</i>	1/20/11	SCALE		S
APR			1 1/2"=1'		REV
APR			SIZE		A
PROJECT NUMBER			DRAWING DESCRIPTION		
102627			HOT BOX® FIBERGLASS ENCLOSURE VC2T		1/11
SHEET 1 OF 1				DRAWING NUMBER	
				HC012026028	