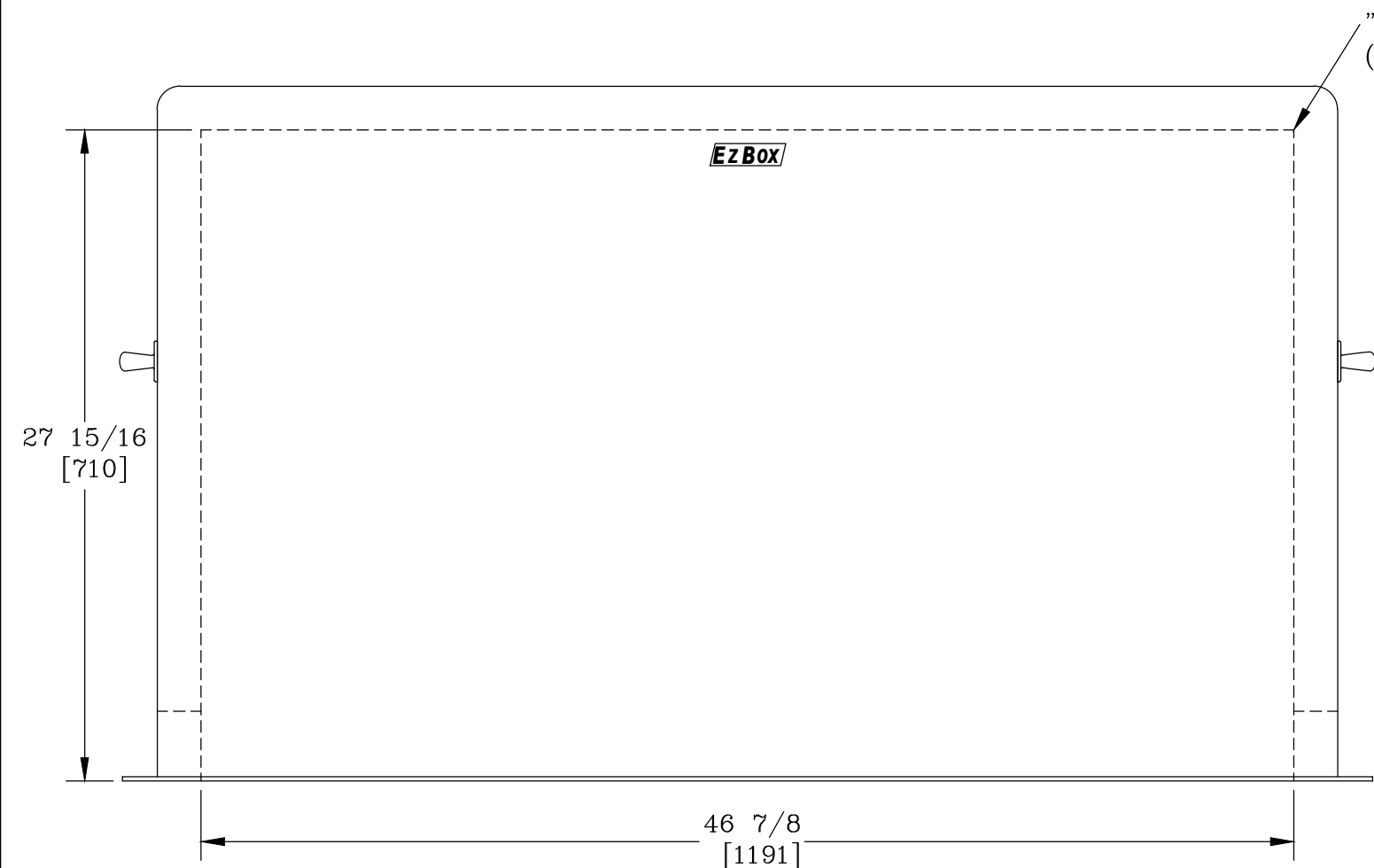
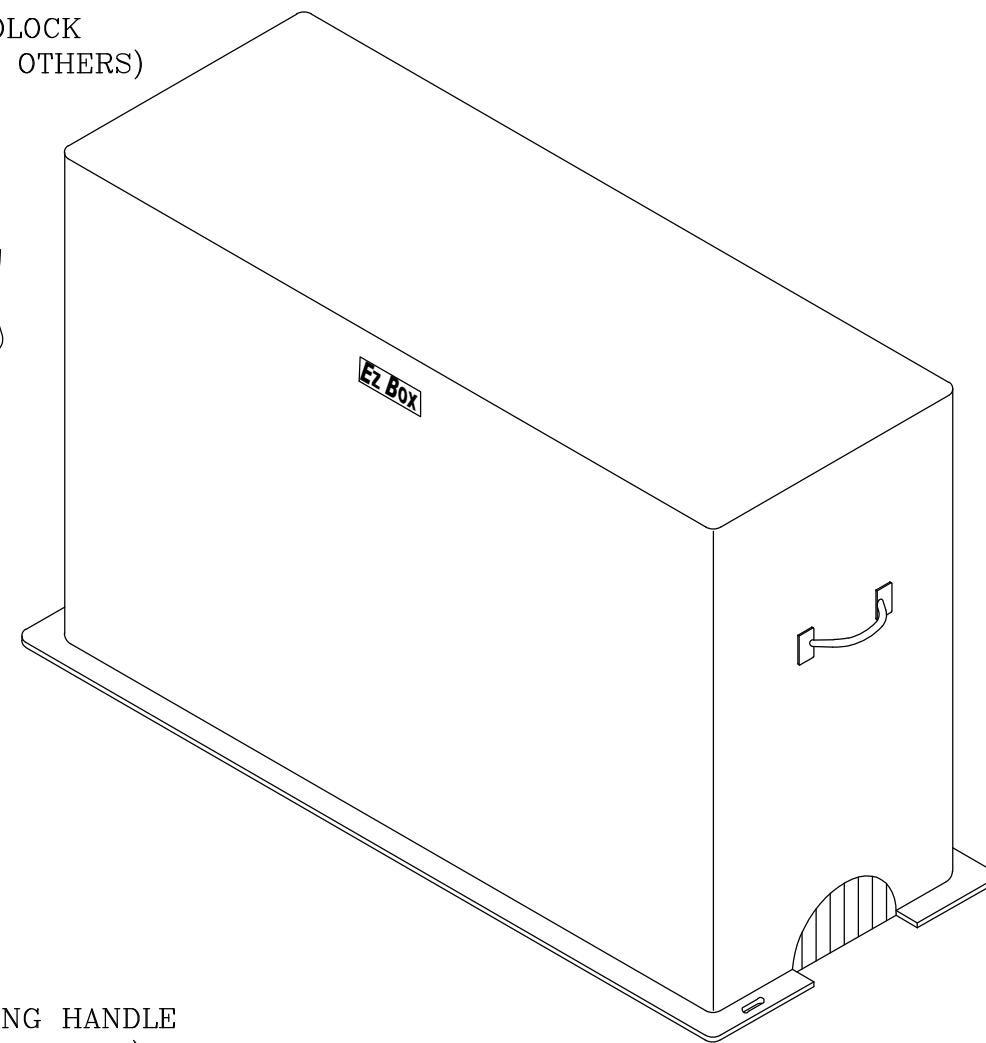
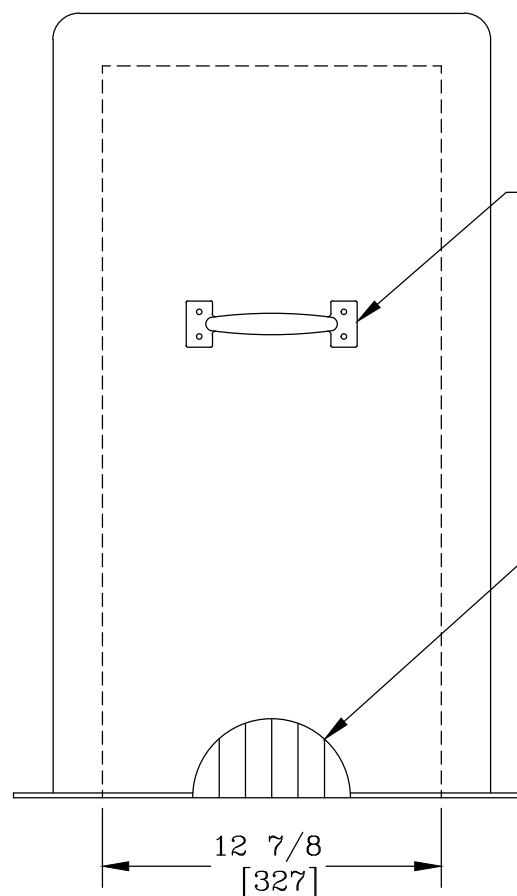


LOCKING DETAIL  
2 PLACES




"R8" INSULATION  
(MINIMUM)



NOTES:

- HEAT IS PROVIDED BY A 90WATT, 120V SINGLE PHASE HEAT TRACE TAPE. FOR UNHEATED VERSION REPLACE THE PREFIX "H" WITH AN "L".
- STANDARD COLOR IS BEIGE. (OPTIONS AVAILABLE)
- FOR RECOMMENDED SLAB SIZE ADD 9" [229] TO THE ENCLOSURE EXTERIOR.

HOTBOX ENCLOSURES ARE NON-RETURNABLE. A SIGNED DRAWING MUST BE RETURNED AT THE TIME OF ORDER. DIMENSIONS ARE IN INCHES OR MILLIMETERS IN BRACKETS UNLESS OTHERWISE NOTED.					
DRN	BY	DATE	WEIGHT	 3621 INDUSTRIAL PARK DR LENOIR CITY, TN 37771 800-346-3062 www.hot-box.com	LOC
CHK	<i>KPC</i>	9/21/09	109#		LC
ENG	<i>LBJ</i>	2/16/11	49kg		S
APR			SCALE		REV
APR			1 1/2"=1'		B
PROJECT NUMBER			SIZE	DRAWING DESCRIPTION	2/11
09913			B		
SHEET 1 OF 1				DRAWING NUMBER	
				HE013047028	



3621 INDUSTRIAL PARK DR  
LENOIR CITY, TN 37771  
800-346-3062  
www.hot-box.com

DRAWING DESCRIPTION  
**HOT BOX<sup>®</sup>**  
FIBERGLASS DROP OVER ENCLOSURE  
HEZ2S

DRAWING NUMBER  
HE013047028