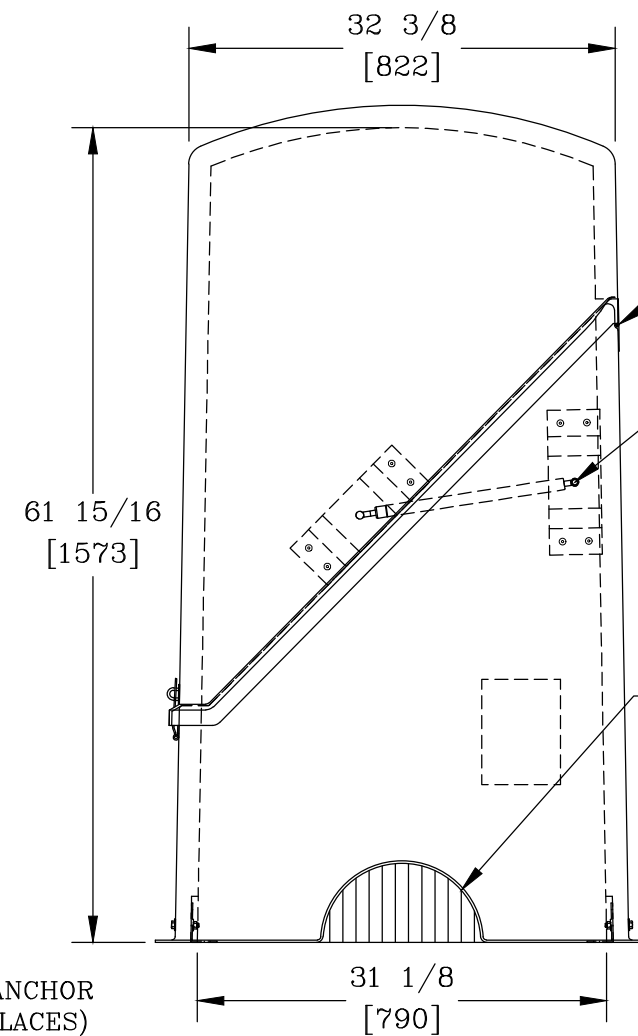



INSULATION:
1 1/2 [38] THICK



NOTES:

- HEAT IS PROVIDED BY (1) 1900W, 120V SINGLE PHASE HEATER. FOR UNHEATED VERSION REPLACE THE PREFIX "H" WITH AN "L".
- ENCLOSURE COLOR IS BEIGE.
- FOR RECOMMENDED SLAB SIZE ADD 9" [229] TO THE ENCLOSURE EXTERIOR.

HOTBOX ENCLOSURES ARE NON-RETURNABLE. A SIGNED DRAWING MUST BE RETURNED AT THE TIME OF ORDER. DIMENSIONS ARE IN INCHES OR MILLIMETERS IN BRACKETS UNLESS OTHERWISE NOTED.				 3621 INDUSTRIAL PARK DR LENOIR CITY, TN 37771 800-346-3062 www.hot-box.com		LOC
DRN	BY	DATE	WEIGHT	DRAWING DESCRIPTION	REV	
CHK	ENG	APR	SCALE		A	
APR	APR		SIZE		1/20	
PROJECT NUMBER					DRAWING NUMBER	
SHEET 1 OF 1					HF029083062	