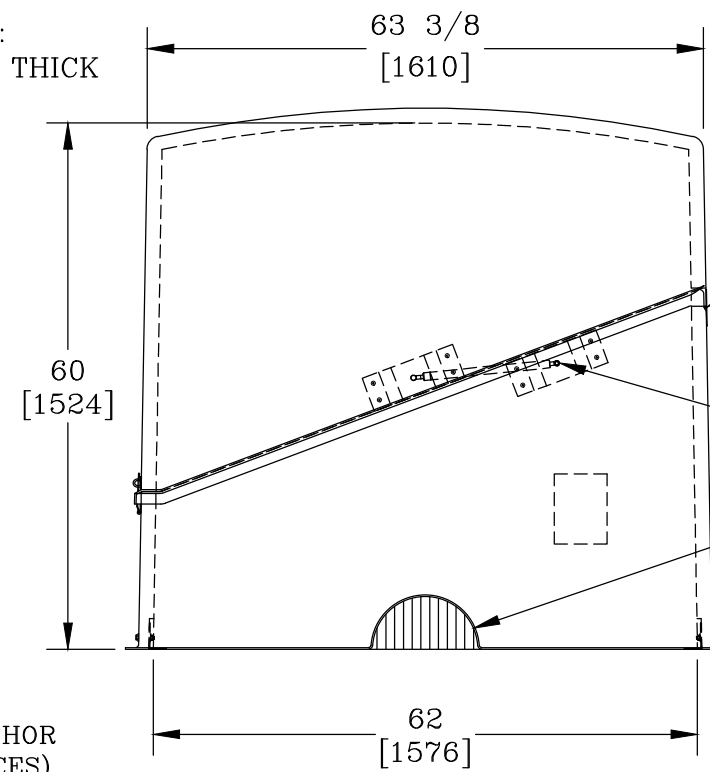


INSULATION:
1 1/2 [38] THICK



DOUBLE ANCHOR
PAD (4 PLACES)


CONTINUOUS HINGE
LOCATION

GAS SHOCK
2 PLACES
(ONE LOCKING)

DRAIN PORT
(1 CENTERED
EACH END)

NOTES:

- HEAT IS PROVIDED BY (1) 1900W, 120V SINGLE PHASE HEATER. FOR UNHEATED VERSION REPLACE THE PREFIX "H" WITH AN "L".
- ENCLOSURE COLOR IS BEIGE.
- FOR RECOMMENDED SLAB SIZE ADD 9" [229] TO THE ENCLOSURE EXTERIOR.

HOTBOX ENCLOSURES ARE NON-RETURNABLE. A SIGNED DRAWING MUST BE RETURNED AT THE TIME OF ORDER. DIMENSIONS ARE IN INCHES OR MILLIMETERS IN BRACKETS UNLESS OTHERWISE NOTED.				 3621 INDUSTRIAL PARK DR LENOIR CITY, TN 37771 800-346-3062 www.hot-box.com		LOC
DRN	BY	DATE	WEIGHT	DRAWING DESCRIPTION	HOT BOX® FIBERGLASS FLIPTOP ENCLOSURE BF6000	LC
CHK	AG	1/14/20	248# 112kg			REV
ENG			SCALE			A
APR			NTS			
APR			SIZE			1/20
PROJECT NUMBER				DRAWING NUMBER		
				SHEET 1 OF 1		HF060060060