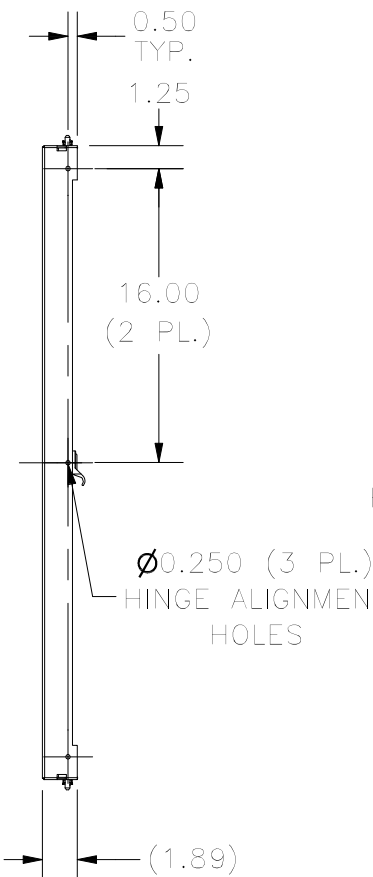
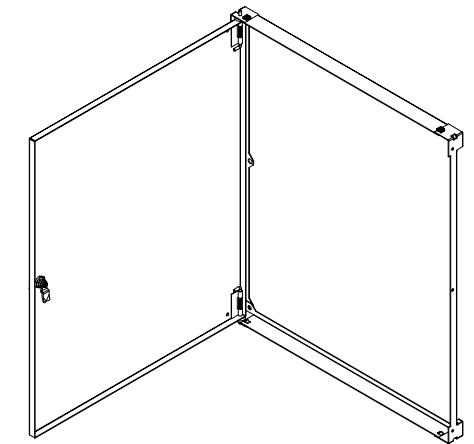
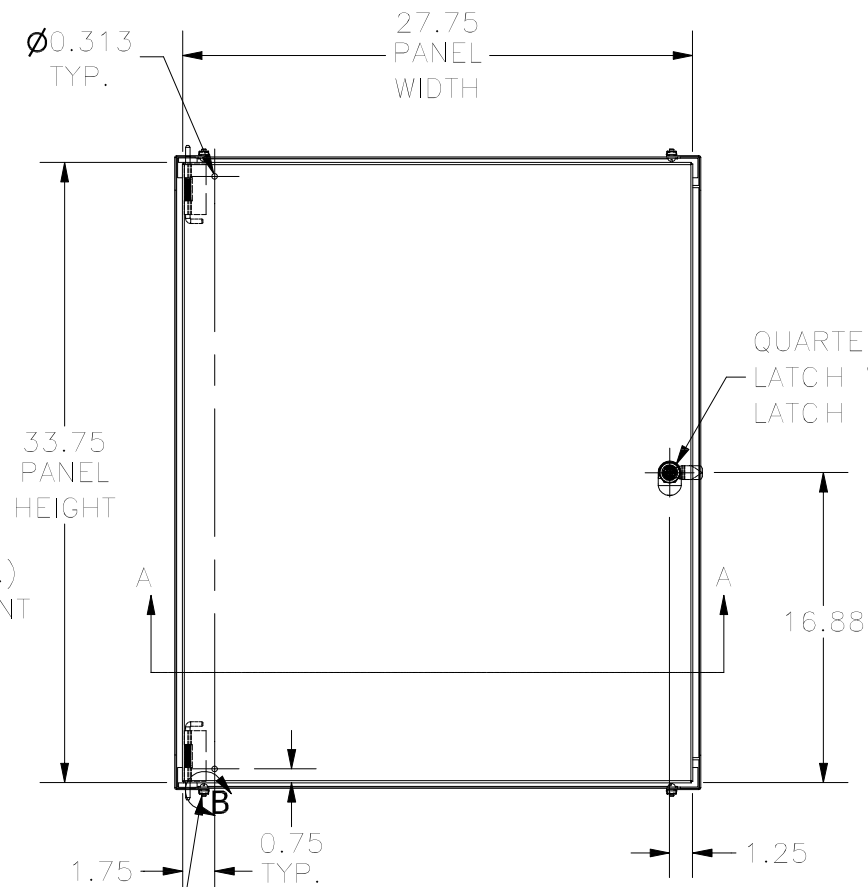


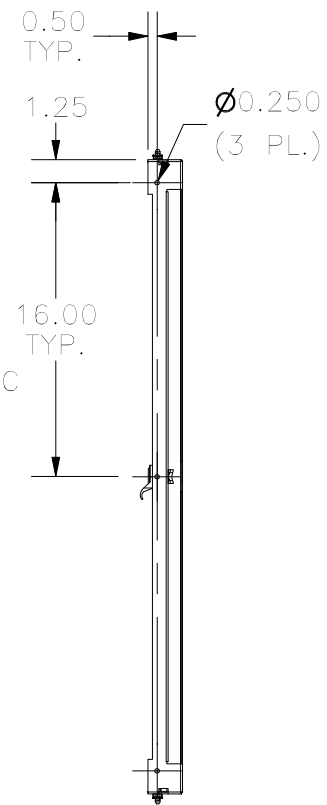
**TOP VIEW**



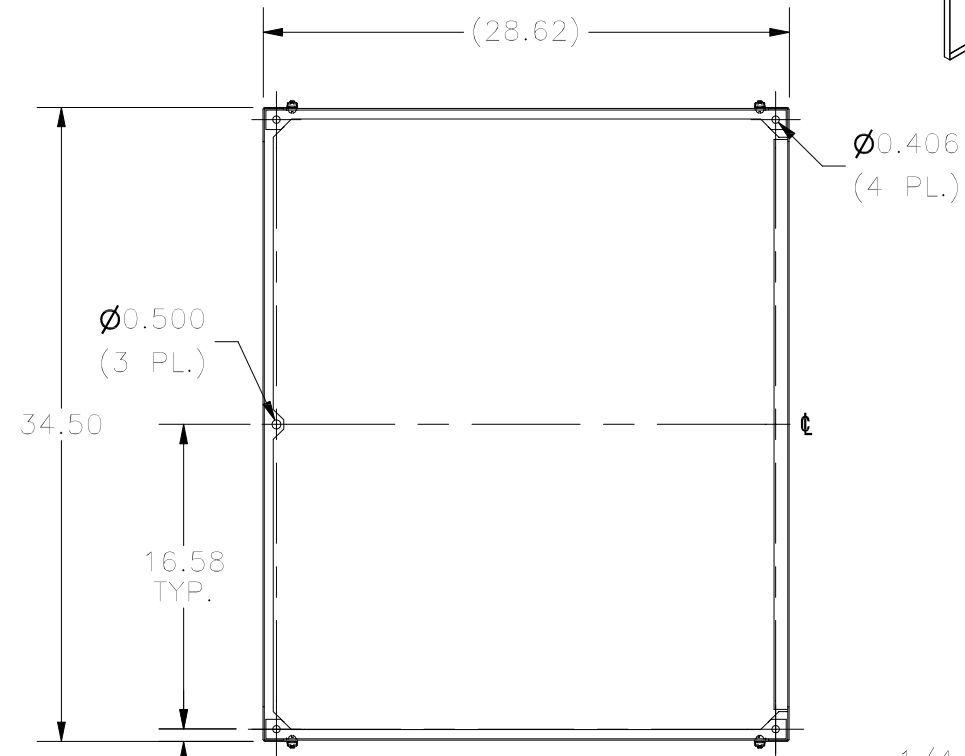
**LEFT SIDE VIEW**



**FRONT VIEW**

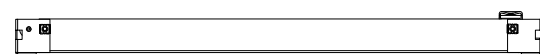


**RIGHT SIDE VIEW**

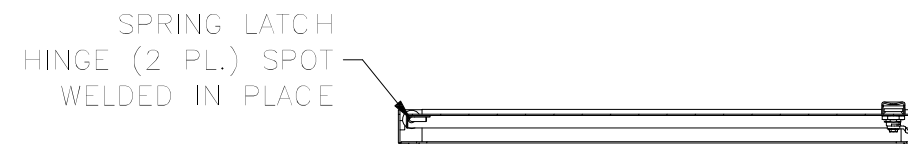


**FRONT VIEW (SWING PANEL REMOVED)**

DETAIL B



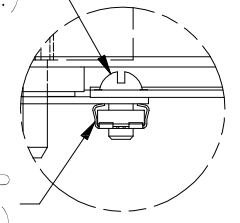
**BOTTOM VIEW**



**SECTION A-A**

1/4-20 X 1/2" PAN HEAD SCREW (4 PL.)

1/4-20 CLIP NUT (4 PL.)



**DETAIL B**

PART#: HFWNSP3630C  
(DATA SUBJECT TO CHANGE WITHOUT NOTICE)

THIS DRAWING IS PROPERTY OF HUBBELL INC. WIEGMANN  
ALL INFORMATION IS PROPRIETARY AND NOT TO BE DUPLICATED