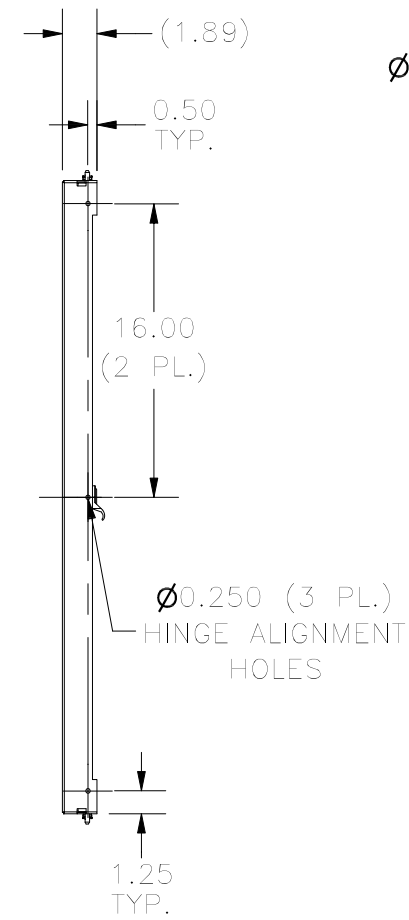
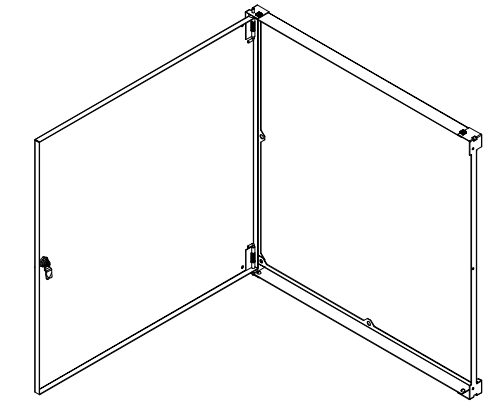
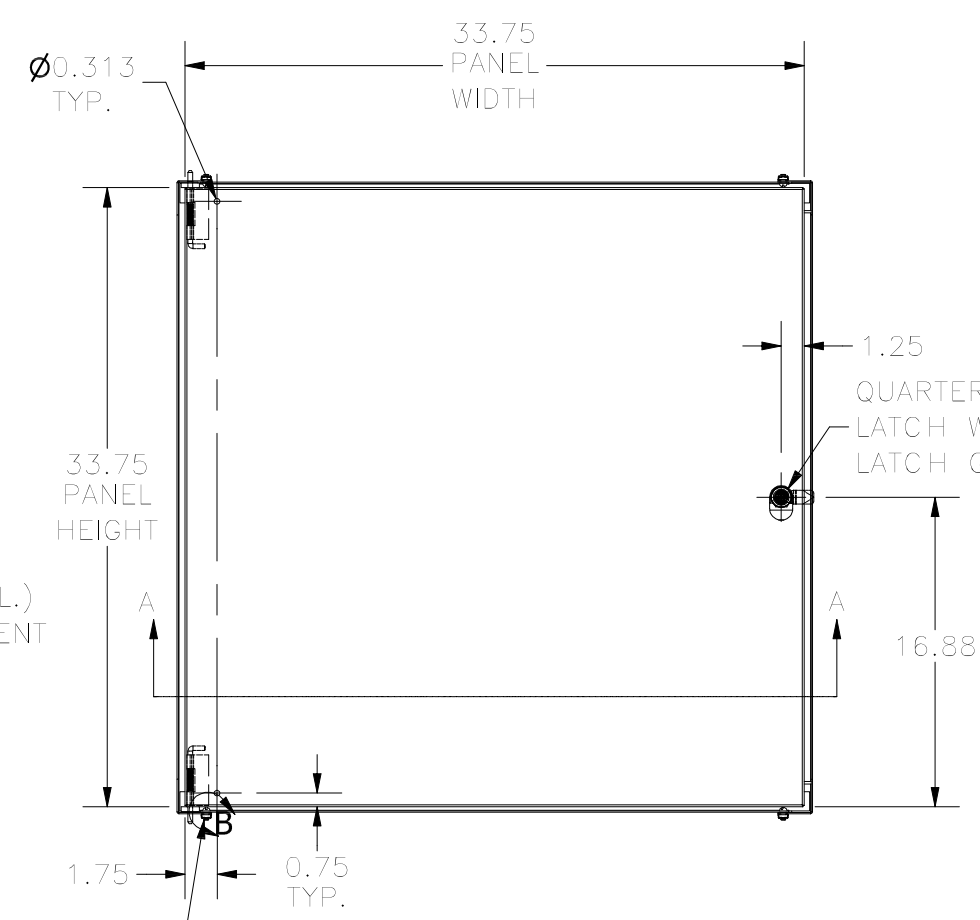


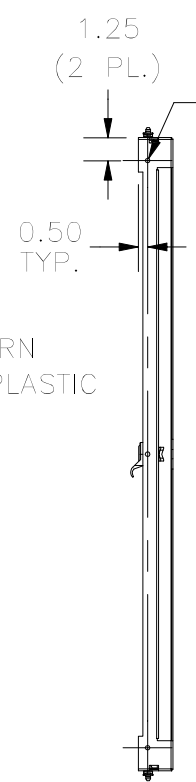
**TOP VIEW**



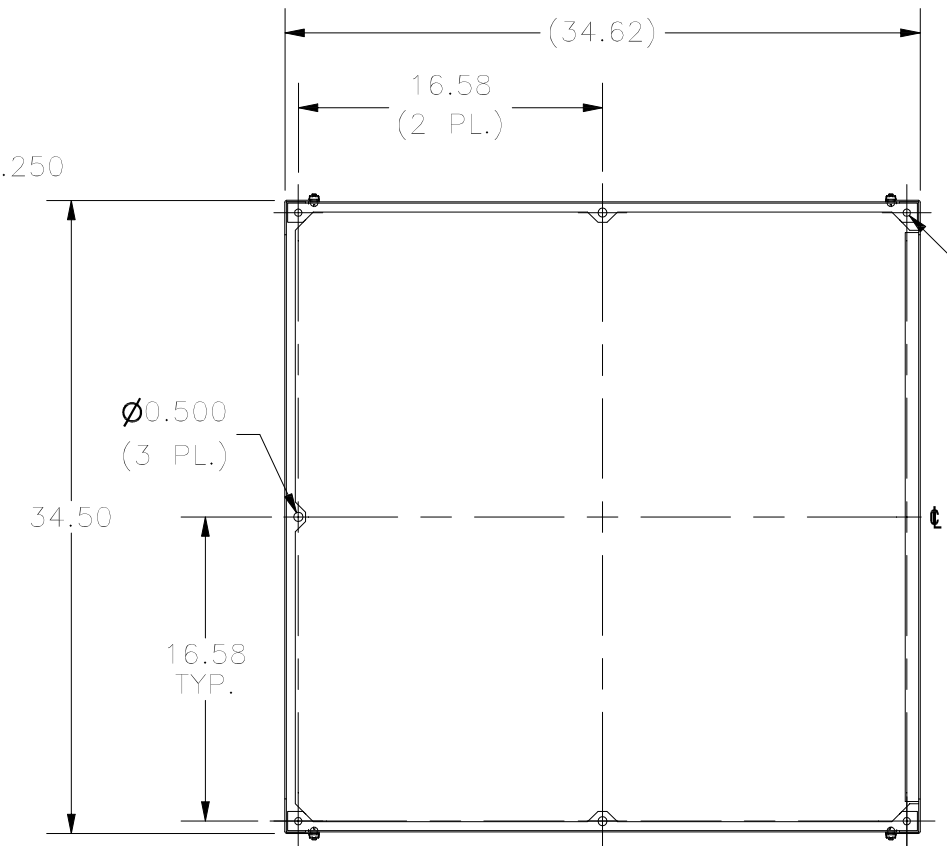
**LEFT SIDE VIEW**



**FRONT VIEW**



**RIGHT SIDE VIEW**



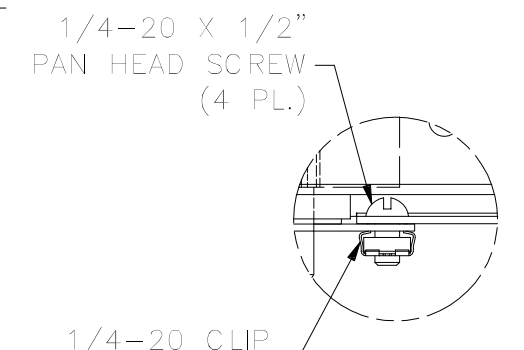
**FRONT VIEW (SWING PANEL REMOVED)**



**BOTTOM VIEW**



**SECTION A-A**



**DETAIL B**

PART#: HFWNSP3636C  
(DATA SUBJECT TO CHANGE WITHOUT NOTICE)

THIS DRAWING IS PROPERTY OF HUBBELL INC. WIEGMANN  
ALL INFORMATION IS PROPRIETARY AND NOT TO BE DUPLICATED