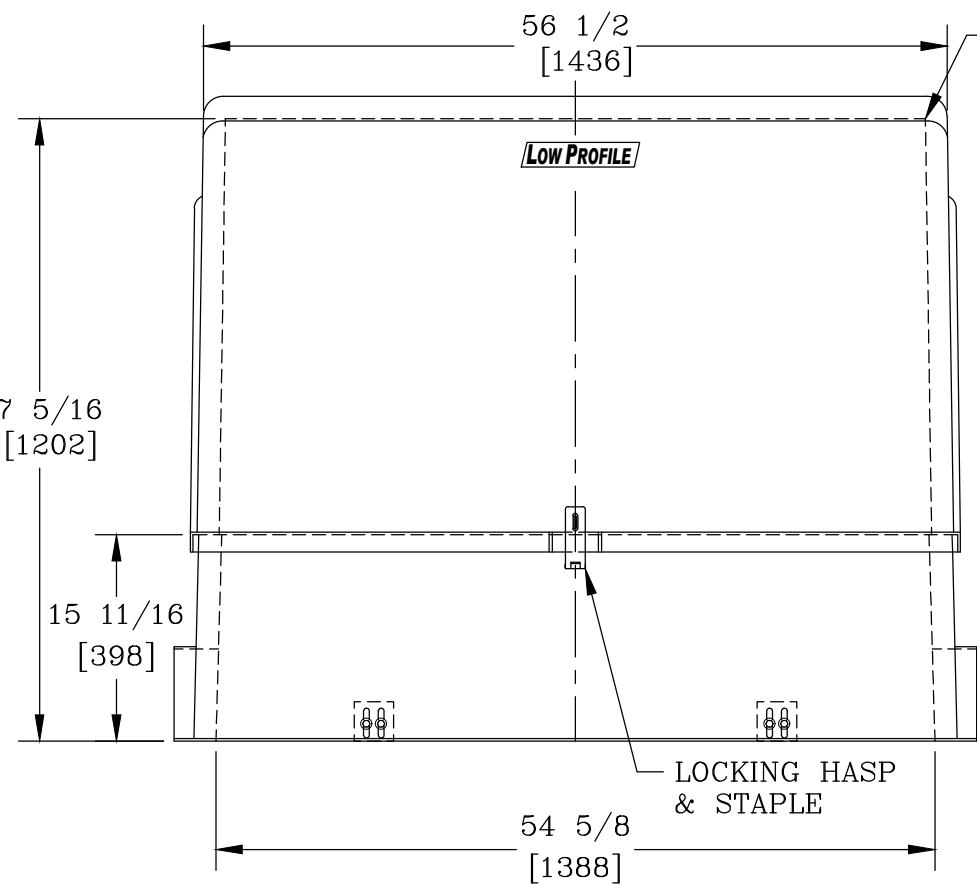
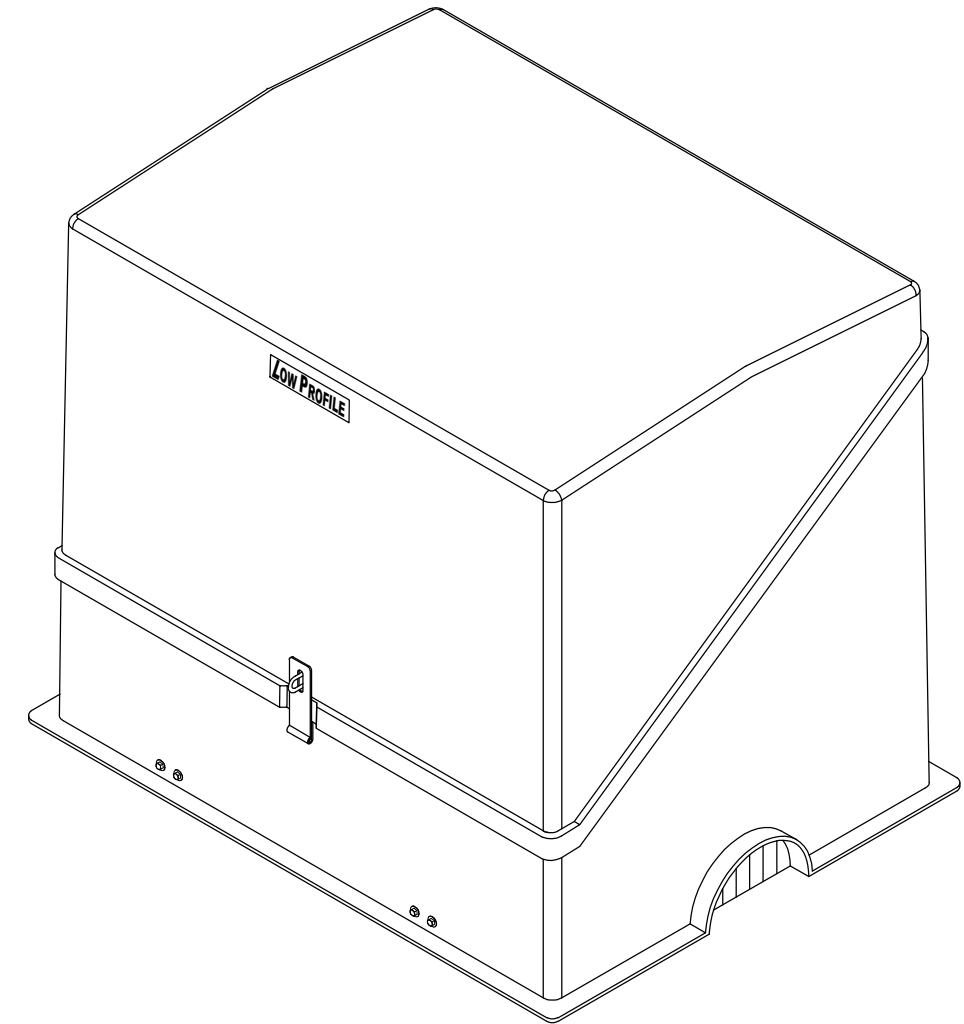
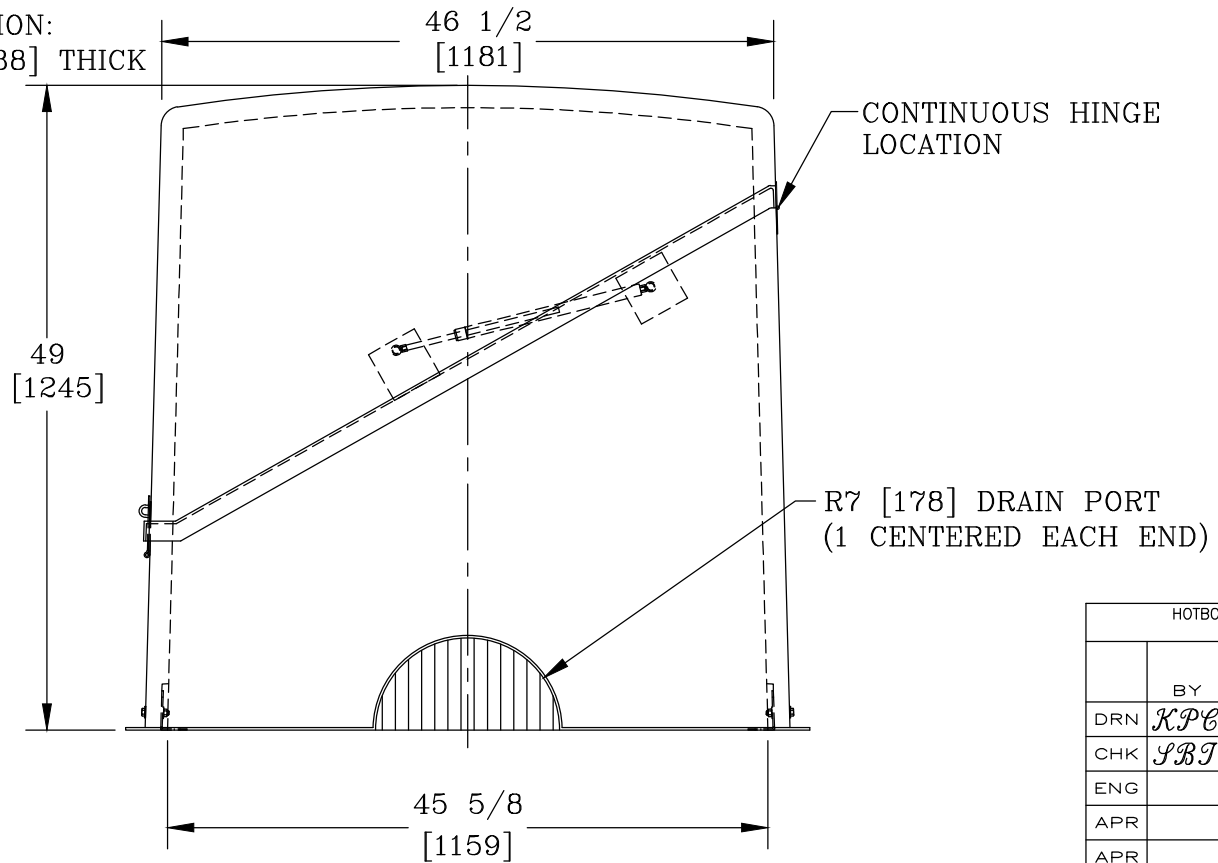


VIEW A-A




INSULATION:
1 1/2 [38] THICK



NOTES:

1. HEAT IS PROVIDED BY A 1000WATT, 120V SINGLE PHASE HEATERS. FOR UNHEATED VERSION REPLACE THE PREFIX "H" WITH AN "L".
2. ENCLOSURE COLOR IS BEIGE.
3. FOR RECOMMENDED SLAB SIZE ADD 12" [305] TO THE ENCLOSURE INTERIOR.
4. INTERNAL BRACKETS AND CONCRETE ANCHORS ARE SUPPLIED WITH THE ENCLOSURE.

HOTBOX ENCLOSURES ARE NON-RETURNABLE. A SIGNED DRAWING MUST BE RETURNED AT THE TIME OF ORDER. DIMENSIONS ARE IN INCHES OR MILLIMETERS IN BRACKETS UNLESS OTHERWISE NOTED.					
DRN	BY	DATE	WEIGHT		LOC
CHK			263# 119kg		LC
ENG			SCALE	DRAWING DESCRIPTION	REV
APR			3/4"=1'		B
APR			SIZE		B
PROJECT NUMBER			DRAWING DESCRIPTION		DRAWING NUMBER
09995			HOT BOX® FIBERGLASS FLIP TOP ENCLOSURE HB4000		HL044053044
SHEET 1 OF 1					