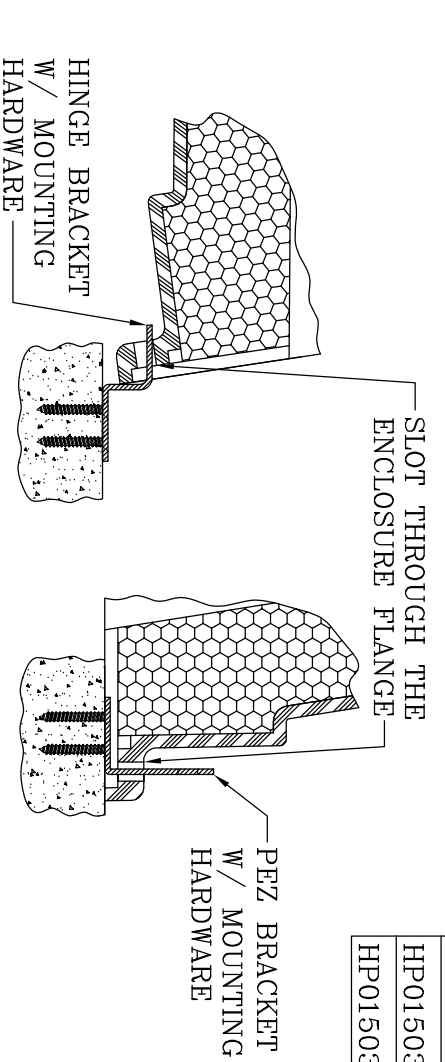
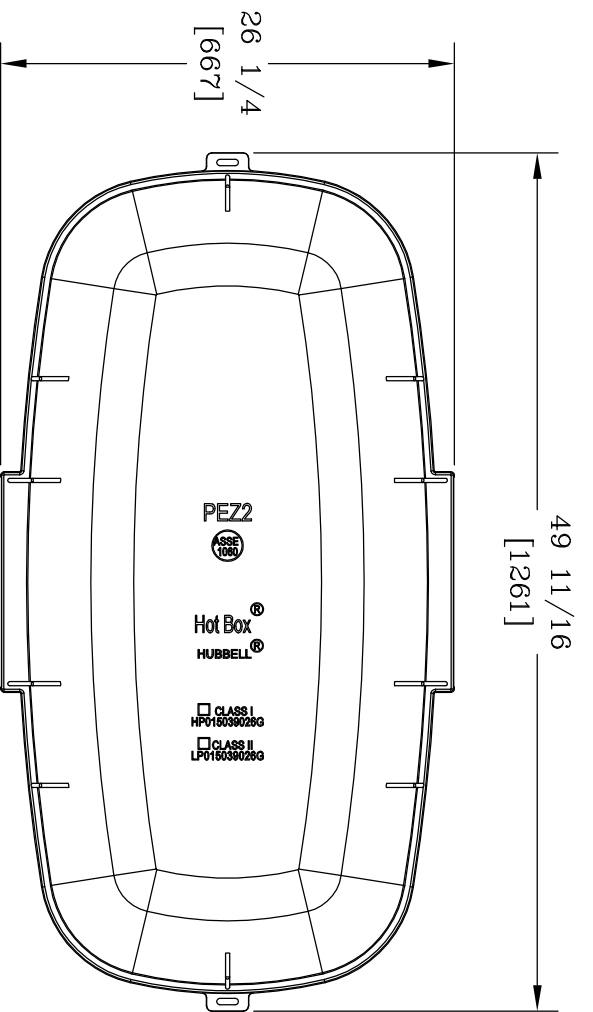
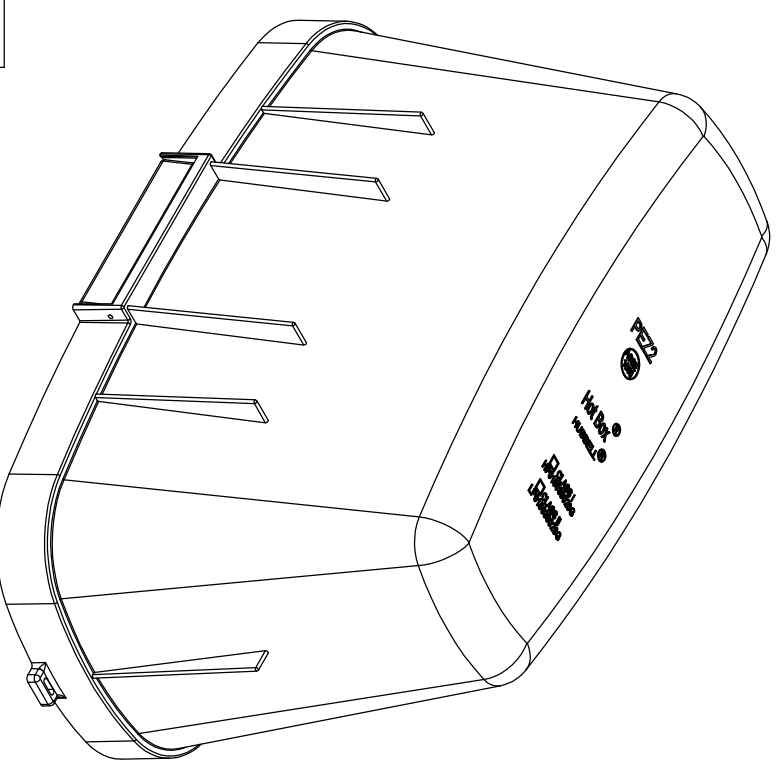
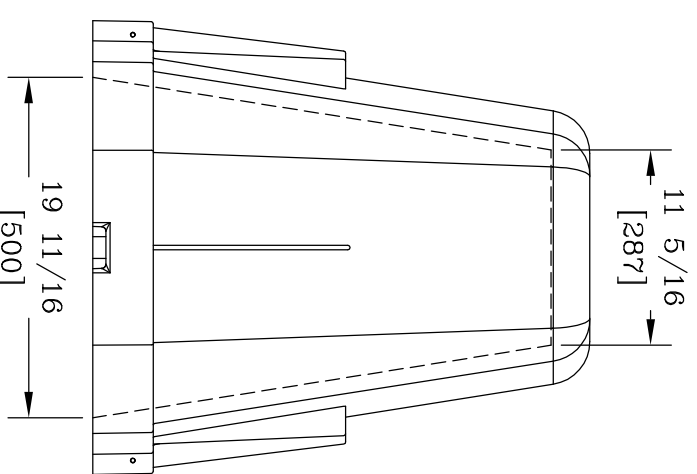
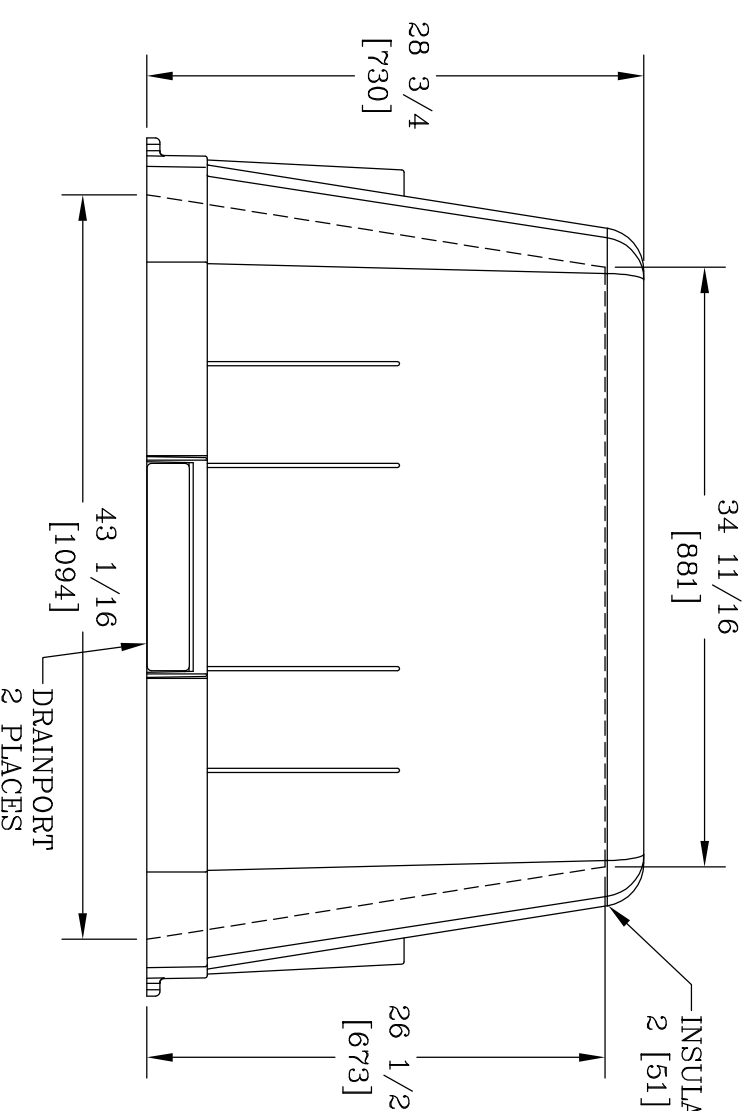


| PART NUMBER | MODEL | COLOR | HEAT |
|--------------|-------|-------|-------------------------------|
| LP015039026T | PEZ2 | BEIGE | NO HEAT |
| LP015039026G | PEZ2 | GREEN | NO HEAT |
| HP015039026T | HPEZ2 | BEIGE | 90W, 120V, 1 PHASE HEAT CABLE |
| HP015039026G | HPEZ2 | GREEN | 90W, 120V, 1 PHASE HEAT CABLE |




INSULATION:
2 [51] THICK



CUSTOMER APPROVAL
APPROVED BY: _____
DATE: _____

- NOTES:
- SEE TABLE FOR PART NUMBERS.
 - FOR RECOMMENDED SLAB SIZE ADD 9" [229] TO THE ENCLOSURE EXTERIOR.

DIMENSIONS ARE IN INCHES OR MILLIMETERS IN BRACKETS UNLESS OTHERWISE NOTED.

| | | | | |
|----------------|---------|-----------|---|-----|
| BY | DATE | WEIGHT |  3621 INDUSTRIAL PARK DR LENOIR CITY, TN 37771 800-346-3062 www.hot-box.com | LOC |
| DRN | 5/26/17 | 35# | | LC |
| CHK | 5/26/17 | 16kg | | S |
| ENG | | SCALE | | REV |
| APR | 5/26/17 | 1 1/2"=1' | | B |
| APR | | SIZE | | |
| PROJECT NUMBER | | B | DRAWING DESCRIPTION | |
| 117849 | | | HOT BOX® HDPE DROP OVER ENCLOSURE | |
| SHEET 1 OF 1 | | | DRAWING NUMBER | |
| | | | P015039026 | |
| | | | 10/17 | |