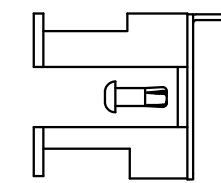
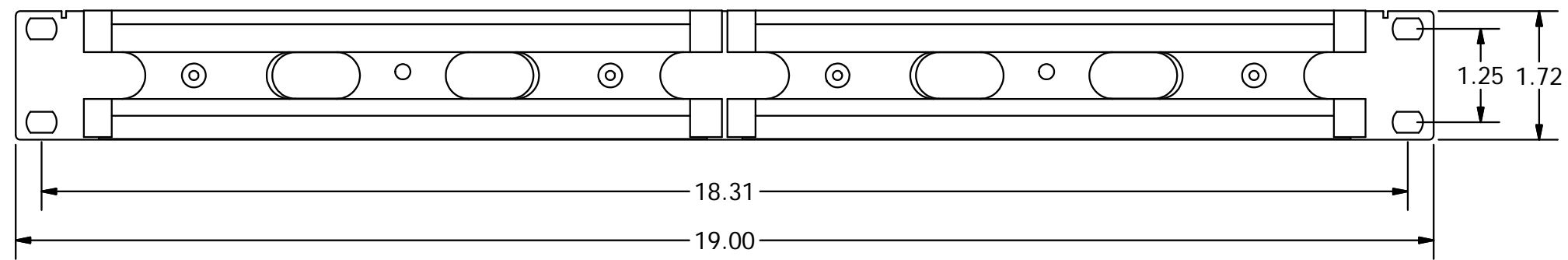
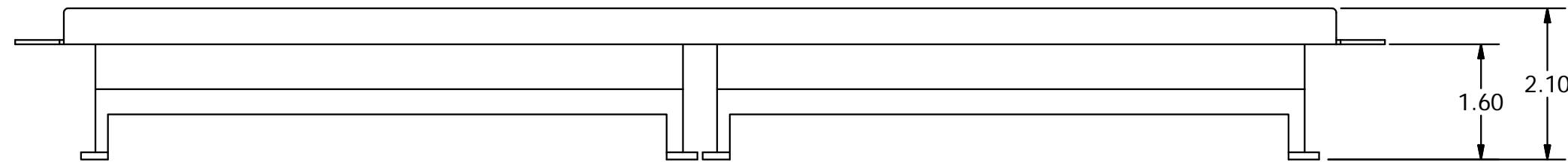
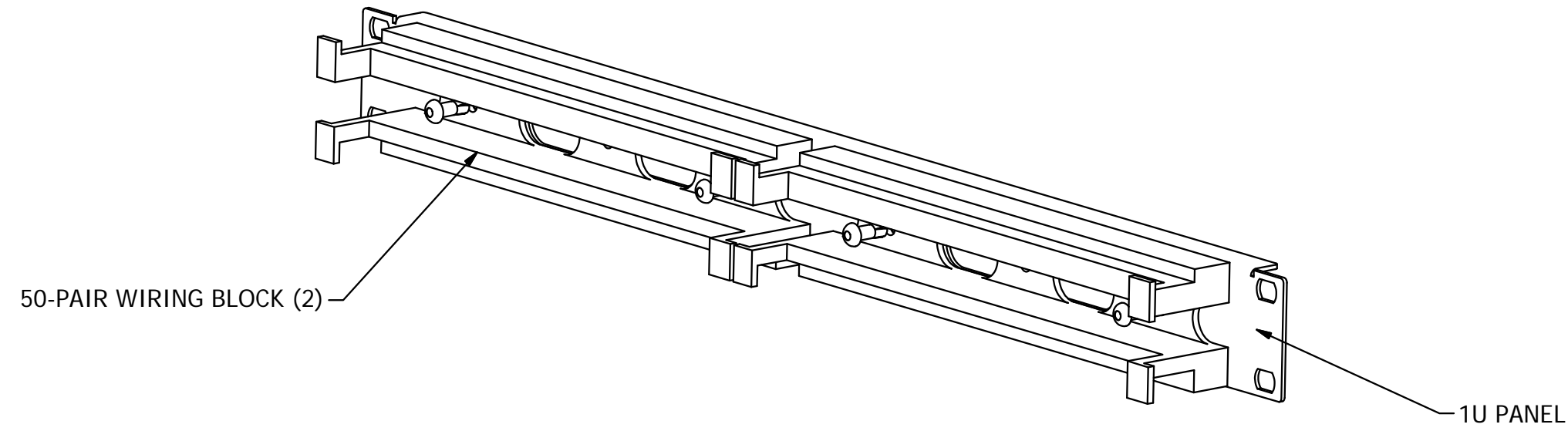


HPW CATALOG #	DESCRIPTION	4-PAIR CONN BLOCK	5-PAIR CONN BLOCK
110RM14NT	100-PAIR WITH 4-PAIR CONNECTING BLOCKS	20	4
110RM15NT	100-PAIR WITH 5-PAIR CONNECTING BLOCKS	N/A	20

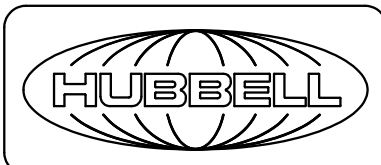
NOTES:

1. KIT SHOULD CONTAIN:
- (1) 1U RACK MOUNT PANEL
 - (2) 50-PAIR WIRING BLOCK W/O LEGS, ASSEMBLED
 - (xx) CONNECTING BLOCKS, SEE TABULATION
 - (2) LABELS HOLDER
 - (2) PAPER INSERTS
 - (1) #12-24 HARDWARE PACK

2. SPECIFICATION SUBJECT TO CHANGE WITHOUT NOTICE.



REV	ECN	DATE	DESCRIPTION	CHG BY	APPD BY
1	19454	05/05/14	INITIAL RELEASE	MMA	

Created on INVENTOR	DIMENSIONING AND TOLERANCE PER ANSI Y14.5M-1982 UNLESS OTHERWISE SPECIFIED, DIMENSIONS ARE IN INCHES (MM). TOLERANCES: XX = ±.01 (.25) .XXX = ±.005 (.127) .XXXX = ±.0025 (.0635) ANGLE TOL ±1°		PROJECT REFERENCE:		 Hubbell Premise Wiring HUBBELL INCORPORATED (Delaware) 14 Lord's Hill Road, Stonington, Connecticut 06378
	IN ACCEPTING OUR DRAWINGS, BLUEPRINTS, OR SUPPORTING DOCUMENTATION FOR QUOTATION OR OTHER PURPOSES, YOU AGREE NOT TO DISCLOSE TO OTHERS THE IDEAS, INFORMATION, OR DESIGNS SHOWN HEREIN, AND THAT YOU WILL MAKE NO USE OF SAME WITHOUT PERMISSION		MATERIAL:		
			DRAWN BY: MABBY 05/05/14		TITLE: 110 RACK MOUNT KIT, 1U
			CHECKED BY:		SIZE C DRAWING NO. 11737C REV. 1
		APPROVED BY:		SCALE: NTS SHEET 1 OF 1	