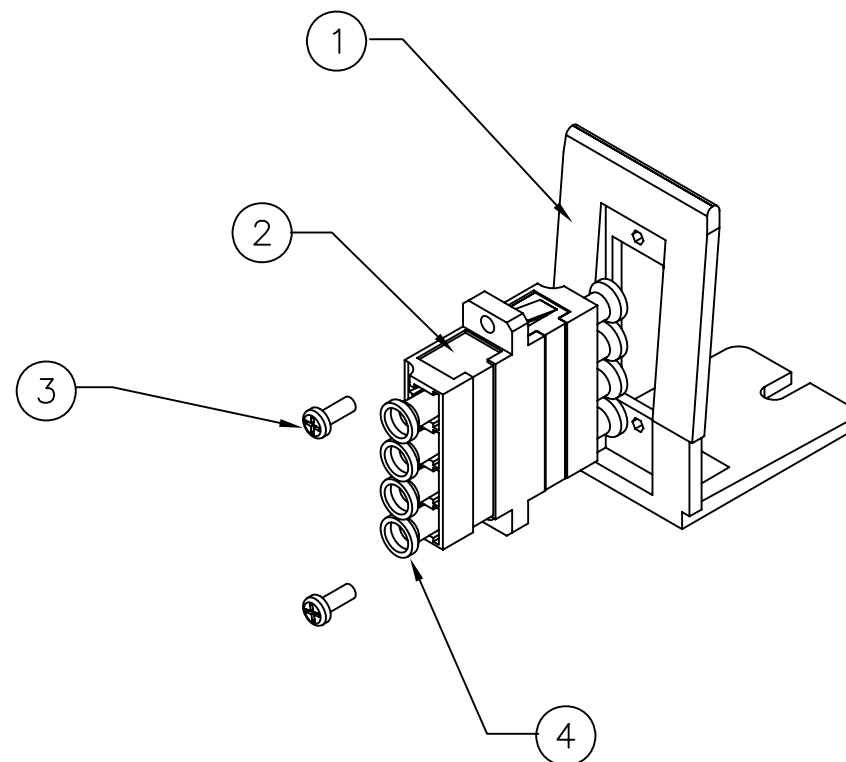
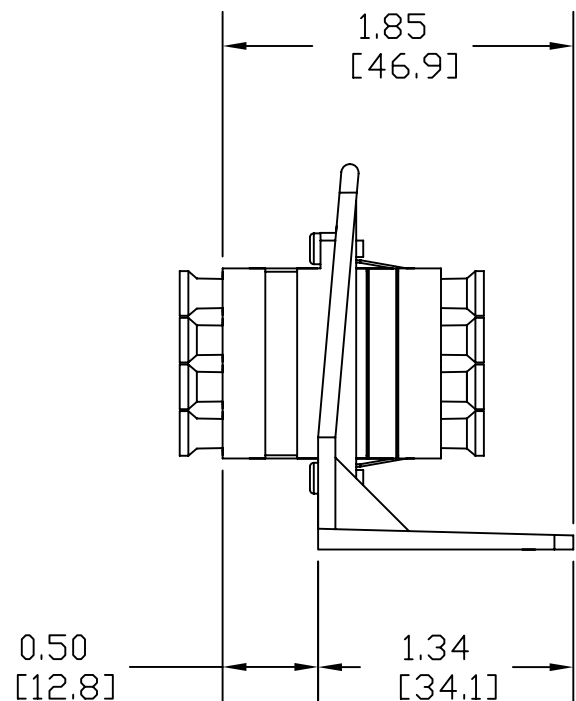
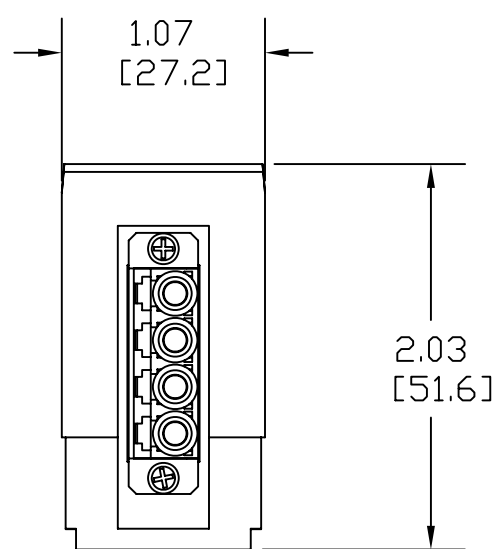
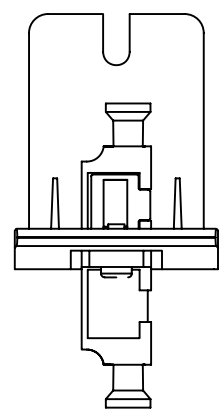
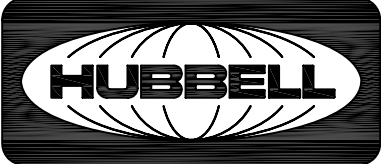


ITEM NO.	DESCRIPTION	QTY.	CATALOG NUMBER	DESCRIPTION	ADAPTER COLOR	SPLIT SLEEVE MAT'L
1	AMO BRACKET	1	AMOLCQ	AMO BRACKET W/LC QUAD	BLUE	PHOS-BRONZE
2	LC QUAD ADAPTER	1	AMOLCQMAQ	AMO BRACKET W/LC QUAD	AQUA	PHOS-BRONZE
3	ADAPTER MOUNTING SCREWS	2	AMOLCQMBE	AMO BRACKET W/LC QUAD	BEIGE	PHOS-BRONZE
4	ADAPTER DUST CAPS	8	AMOLCQSAQ	AMO BRACKET W/LC QUAD	AQUA	ZIRCONIA
			AMOLCQSBE	AMO BRACKET W/LC QUAD	BEIGE	ZIRCONIA
			AMOLCQSBL	AMO BRACKET W/LC QUAD	BLUE	ZIRCONIA
			AMOLCQUNLD	AMO BRACKET UNLOADED	N/A	N/A



NOTES:

- BRACKET FITS INTO AMO HOUSING.
- BRACKET COLOR IS OFFICE WHITE.
- SCREW MOUNT ADAPTERS FOR EXTRA STABILITY.
- ADAPTERS SUPPLIED WITH DUST CAPS INSTALLED.
- SPECIFICATIONS SUBJECT TO CHANGE WITHOUT NOTICE.

Created on AUTOCAD	DIMENSIONING AND TOLERANCE PER ANSI Y14.5M-1982 UNLESS OTHERWISE SPECIFIED, DIMENSIONS ARE IN INCHES (MM). TOLERANCES .XX = ±.01 (.25) .XXX = ±.005 (.127) .XXXX = ±.0025 (.0635) ANGLE TOL ±1°		PROJECT REFERENCE: <b>052-08</b>		 <b>Hubbell Premise Wiring</b> HUBBELL INCORPORATED (Delaware) 14 Lord's Hill Road, Stonington, Connecticut 06378		
	IN ACCEPTING OUR DRAWINGS, BLUEPRINTS, OR SUPPORTING DOCUMENTATION FOR QUOTATION OR OTHER PURPOSES, YOU AGREE NOT TO DISCLOSE TO OTHERS THE IDEAS, INFORMATION, OR DESIGNS SHOWN HEREIN, AND THAT YOU WILL MAKE NO USE OF SAME WITHOUT PERMISSION		MATERIAL:  SEE NOTES			TITLE: <b>AMO BRACKET          WITH LC QUAD ADAPTERS</b>	
			DRAWN BY: C. DUSSAULT 11/10/08		SIZE: <b>C</b>	DRAWING NO.: <b>C11670</b>	REV.: <b>A</b>
			CHECKED BY:  APPROVED BY:		SCALE: <b>1/1</b>	SHEET <b>1</b> OF <b>1</b>	

A	6478	11/10/08	INITIAL RELEASE	CD	
REV.	ECN	DATE	DESCRIPTION	CHG BY	APPD BY