

6

5

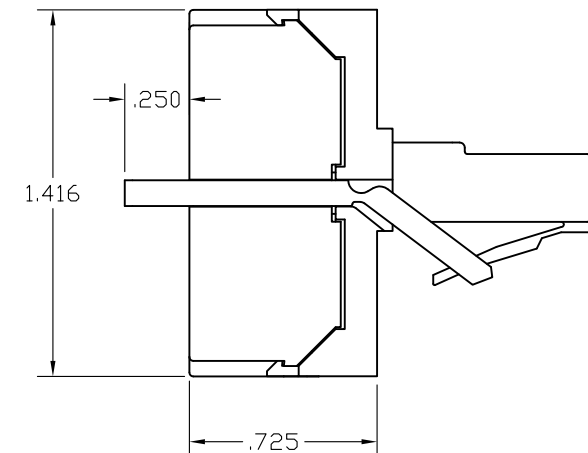
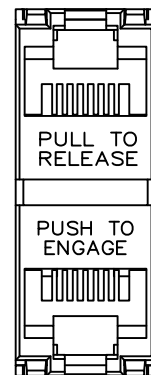
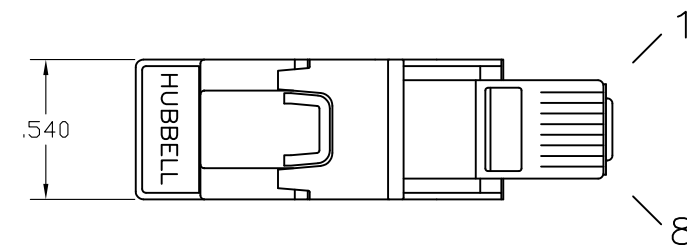
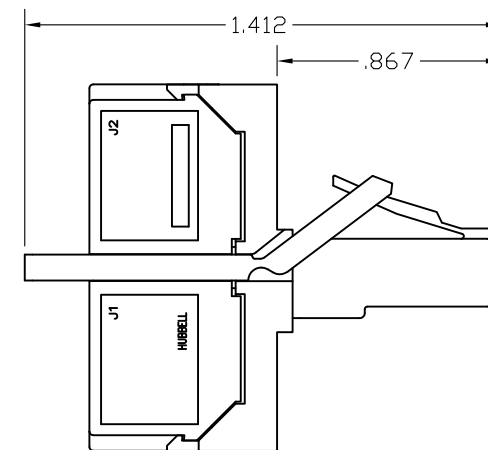
4

3

2

1

CATALOG #	CONVERT FROM/TO:	Y ADPTR TYPE:	DETAILS:
BR851241A	T568B WIRED RJ45 JACK TO 2, 2-PAIR JACKS	SPLIT	CONNECT 2 PIECES OF VOICE, DATA OR ANCILLARY EQUIPMENT
BR851D	T568B WIRED RJ45 JACKS TO (2) 10/100 BASE-T WIRED RJ45 JACKS	SPLIT	PAIRS 2&3 SPLIT TO JK1, PAIRS 1&4 SPLIT TO JK2
BR851341B	T568B WIRED RJ45 JACK TO 2 JACKS	SPLIT	PAIRS 1, 2 & 3 SPLIT TO JK1, 1ST 6 POSITIONS, PAIR 4 TO POSITIONS 4&5 OF JK2
BR851B	1 PLUG TO TWO RJ45, 4-PAIR JACKS IN PARALLEL	BRIDGE	PROVIDES 2 ACCESS POINTS TO THE CIRCUIT, ADDING A COMMON STATION OR FOR DAISY CHAIN
BR851A	T568B WIRED RJ45 JACK TO VOICE WIRED APPLICATION & A 10/100BASE-T APPLICATION	SPLIT	PAIRS 1&4, JK1, & A 10/100BASE-T APP, PAIRS 2&3, WIRED 8-POSITION JK2
BR851441	PLUG TO TWO JACK	BRIDGE	BRIDGE 4 PAIR TO JACK 1 AND 1 PAIR TO JACK 2 (SPEAKER OR PWR FAIL RINGER)
BR851241U	USOC JACK TO 2 JACKS	SPLIT	CONNECT 2 PCS OF VOICE, DATA, OR ANCILLARY EQUIP. TO A USOC, RJ61 8-POS JK



NOTES:

- COLOR: OFFICE WHITE
- MODULAR Y ADAPTERS FOR NUMEROUS APPLICATIONS (SEE TABLE).
- SPECIFICATIONS SUBJECT TO CHANGE WITHOUT PRIOR NOTICE

REV.	ECN	DATE	DESCRIPTION	CHG BY	APPD BY
1	21405	08/22/16	INITIAL RELEASE	JJRJ	MMA

Created on AUTOCAD

DIMENSIONING AND TOLERANCE PER ANSI Y14.5M-1982 UNLESS OTHERWISE SPECIFIED, DIMENSIONS ARE IN INCHES (MM).
 TOLERANCES
 .XX = ±.01 (.25)
 .XXX = ±.005 (.127)
 .XXXX = ±.0025 (.0635)
 ANGLE TOL ±1°

IN ACCEPTING OUR DRAWINGS, BLUEPRINTS, OR SUPPORTING DOCUMENTATION FOR QUOTATION OR OTHER PURPOSES, YOU AGREE NOT TO DISCLOSE TO OTHERS THE IDEAS, INFORMATION, OR DESIGNS SHOWN HEREIN, AND THAT YOU WILL MAKE NO USE OF SAME WITHOUT PERMISSION

PROJECT REFERENCE:

MATERIAL: PLASTIC

DRAWN BY: J. RUOT-JACKSON 08/22/16

CHECKED BY:

APPROVED BY:



Hubbell Premise Wiring
 HUBBELL INCORPORATED (Delaware)
 23 CLARA DRIVE, SUITE 103 MYSTIC, CT 06355

TITLE: 851 ADAPTERS, 8 POSITION JACK TO 8 POSITION PLUG

SIZE: B	DRAWING NO. HWS12275C	REV. 1
SCALE: NTS	SHEET 1 OF 1	