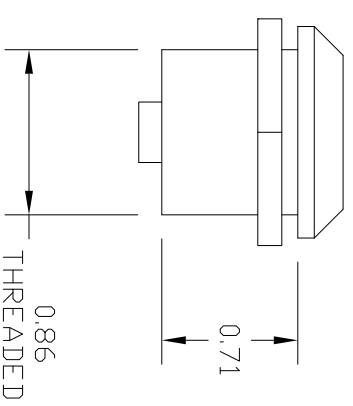
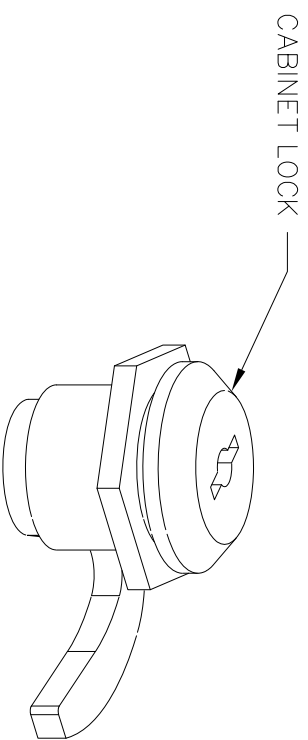
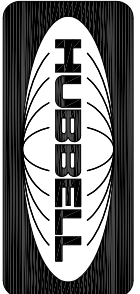


CATALOG NUMBER	DESCRIPTION
CKL751	CABINET LOCK KIT KEY NO.CH751
CKL333	CABINET LOCK KIT KEY NO.333
CKL716	CABINET LOCK KIT 7/16 HEX BELCORE KEY
CKLCA160	CABINET LOCK KIT KEY CAT 60
CKLCA170	CABINET LOCK KIT KEY CAT 70
CKLCA180	CABINET LOCK KIT KEY CAT 80
CKLWK	CABINET LOCK KIT W/WING KNOB



NOTES:

1. KIT SHOULD CONTAIN:
 (2) CABINET LOCKS, (LOCK/CAM/KEY) SEE TABULATION
 (1) INSTRUCTION SHEET

Created on AUTOCAD		DIMENSIONING AND TOLERANCE PER ANSI Y14.5M-1982 UNLESS OTHERWISE SPECIFIED, DIMENSIONS ARE IN INCHES (MM). TOLERANCES .XX = ±.01 (.25) .XXX = ±.005 (.127) .XXXX = ±.0025 (.0635) ANGLE TOL. ±1°	
PROJECT REFERENCE: MATERIAL:		DRAWN BY: NANCY RICHARDS	
IN ACCEPTING OUR DRAWINGS, BLUEPRINTS, OR SUPPORTING DOCUMENTATION FOR QUOTATION OR OTHER PURPOSES, YOU AGREE NOT TO DISCLOSE TO OTHERS THE IDEAS, INFORMATION, OR DESIGNS SHOWN HEREIN, AND THAT YOU WILL MAKE NO USE OF SAME WITHOUT PERMISSION		CHECKED BY: 04/02/06	
TITLE: CABINET LOCK KITS		APPROVED BY:	
 Hubbell Premise Wiring HUBBELL INCORPORATED (Delaware) 14 Lord's Hill Road, Stonington, Connecticut 06378		SIZE DRAWING NO.: B 11770C	
SCALE: N/A		SHEET 1 OF 1	
REV. B		REV. B	

REV.	EON	DATE	DESCRIPTION	CHG BY	APPD BY
B	18028	10/12/12	ADDED ONE MORE CAT. NO.	MMA	