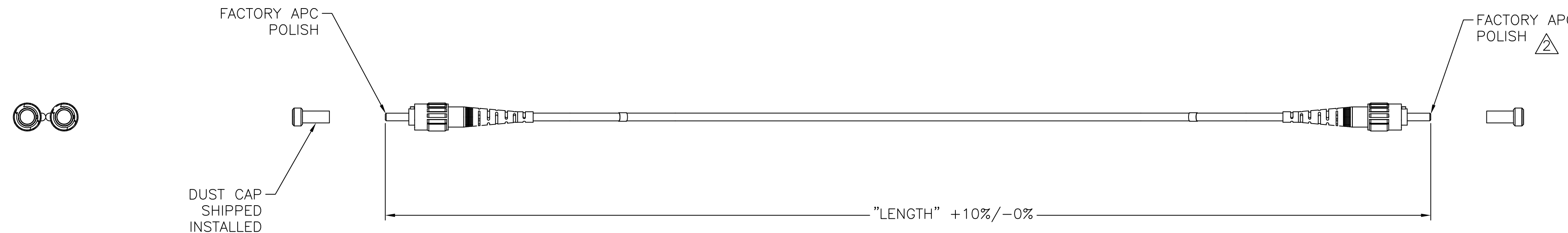
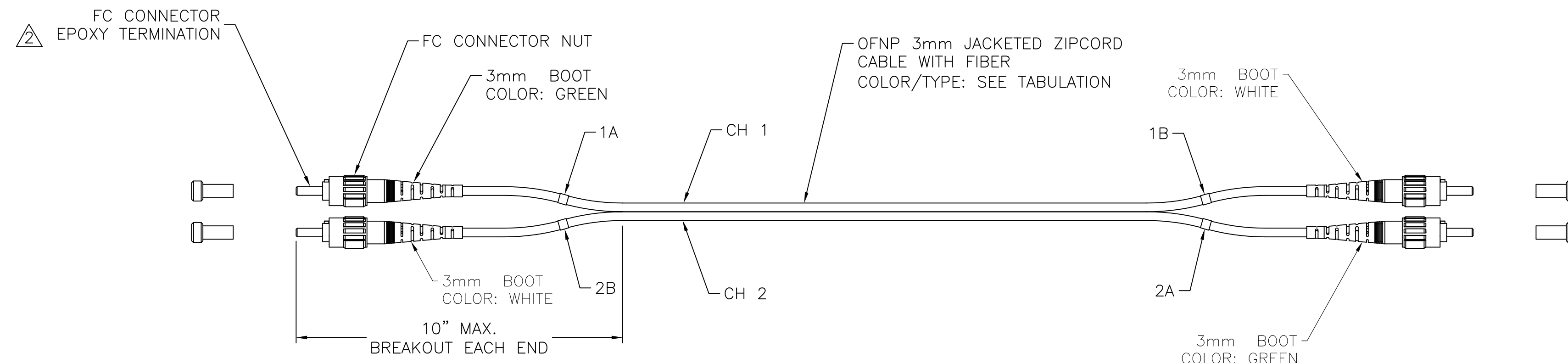
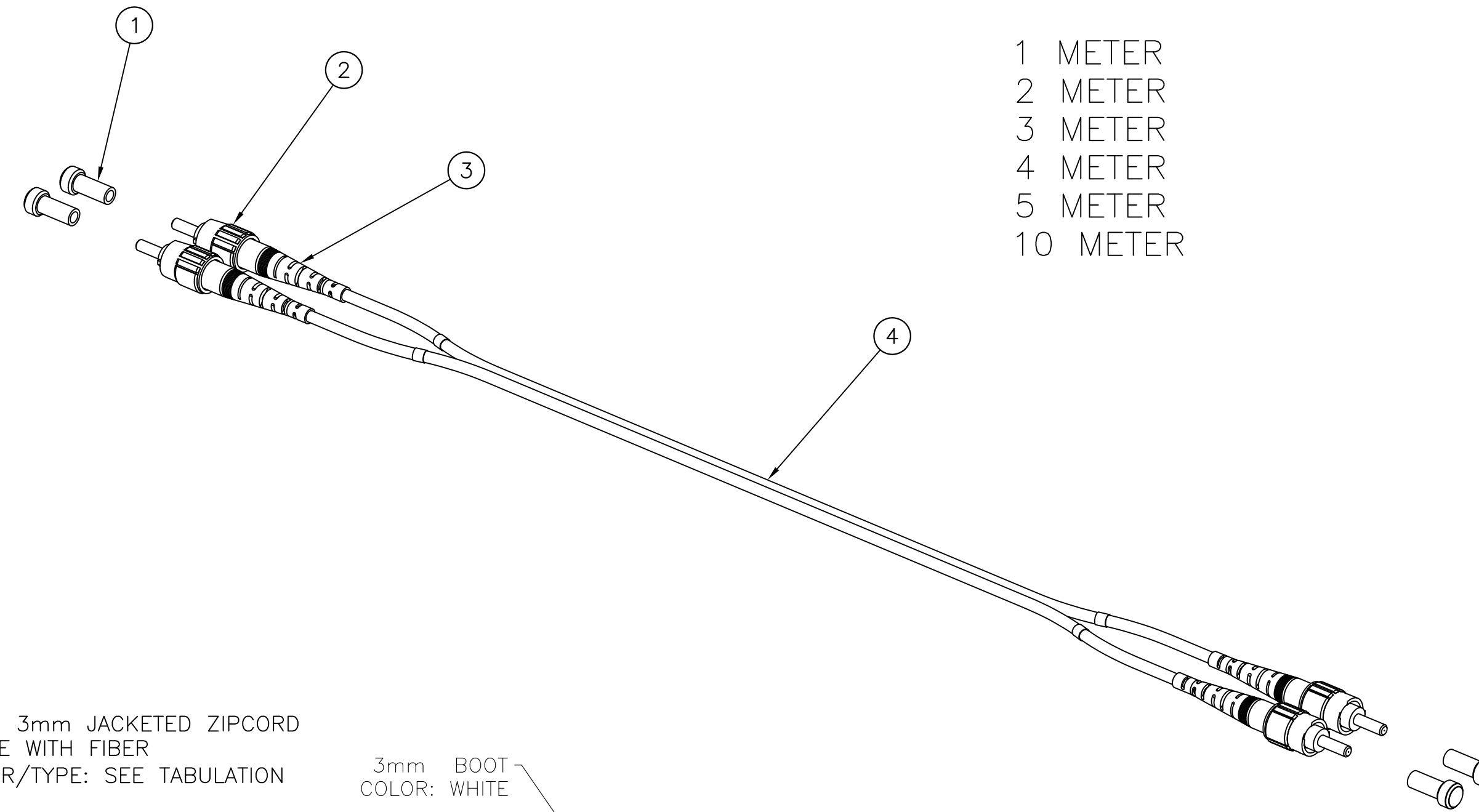


ITEM NO.	DESCRIPTION	QTY.
1	FC CONNECTOR DUST CAP	4
2	FC CONNECTOR NUT	4
3	3mm FC CONNECTOR BOOT	4
4	3mm DUPLEX CABLE	A/R

CATALOG NO	DESCRIPTION	FIBER TYPE	CABLE COLOR
DFPCFCAFCASxxSM	FIBER OPTIC PATCHCORD, PLENUM, SINGLEMODE, FC/APC-FC/APC DUPLEX, xx* METER	9/125 OS2	YELLOW


xx* MEANS AVAILABLE IN THE FOLLOWING LENGTHS:

- 1 METER
- 2 METER
- 3 METER
- 4 METER
- 5 METER
- 10 METER



NOTES:

1. CONNECTOR OPTICAL, MECHANICAL AND ENVIRONMENTAL PERFORMANCE MEETS TIA/EIA-568-C.3 SPECIFICATIONS.
2. CONNECTOR USES AN APC RADIUS TIP ZIRCONIA CERAMIC FERRULE.
3. CONNECTOR HOUSING IS INJECTION MOLDED ENGINEERING PLASTIC RESIN.
4. OPTICAL INSERTION LOSS AND RETURN LOSS TEST DATA INCLUDED IN EACH BAGGED PATCH CORD.
5. CABLE MARKINGS TO IDENTIFY CHANNEL (1 OR 2) AND EACH END (A OR B).
6. POLARITY: A TO B PER ANSI TIA-568.3
7. SPECIFICATIONS SUBJECT TO CHANGE WITHOUT PRIOR NOTICE.

Created on AUTOCAD	DIMENSIONING AND TOLERANCE PER ANSI Y14.5M-1982 UNLESS OTHERWISE SPECIFIED, DIMENSIONS ARE IN INCHES (MM). TOLERANCES: .XX = ±.01 (.25) .XXX = ±.005 (.127) .XXXX = ±.0025 (.0635) ANGLE TOL ±1°		PROJECT REFERENCE: NPD-00160	 Hubbell Premise Wiring HUBBELL INCORPORATED (Delaware) 23 CLARA DRIVE, SUITE 103 MYSTIC, CT 06355	
	IN ACCEPTING OUR DRAWINGS, BLUEPRINTS, OR SUPPORTING DOCUMENTATION FOR QUOTATION OR OTHER PURPOSES, YOU AGREE NOT TO DISCLOSE TO OTHERS THE IDEAS, INFORMATION, OR DESIGNS SHOWN HEREIN, AND THAT YOU WILL MAKE NO USE OF SAME WITHOUT PERMISSION		MATERIAL:		TITLE: FIBER PATCH CORDS SINGLEMODE FC/APC-FC/APC DUPLEX 9/125
			DRAWN BY: J.RUOT-JACKSON 9/20/16	SIZE: D	DRAWING NO. HWS14681C
			CHECKED BY:	SCALE: 1/1	REV. 1

REV.	ECN	DATE	DESCRIPTION	CHG BY	APPD BY
1	21494	09/20/16	INITIAL RELEASE	JJRJ	MMA