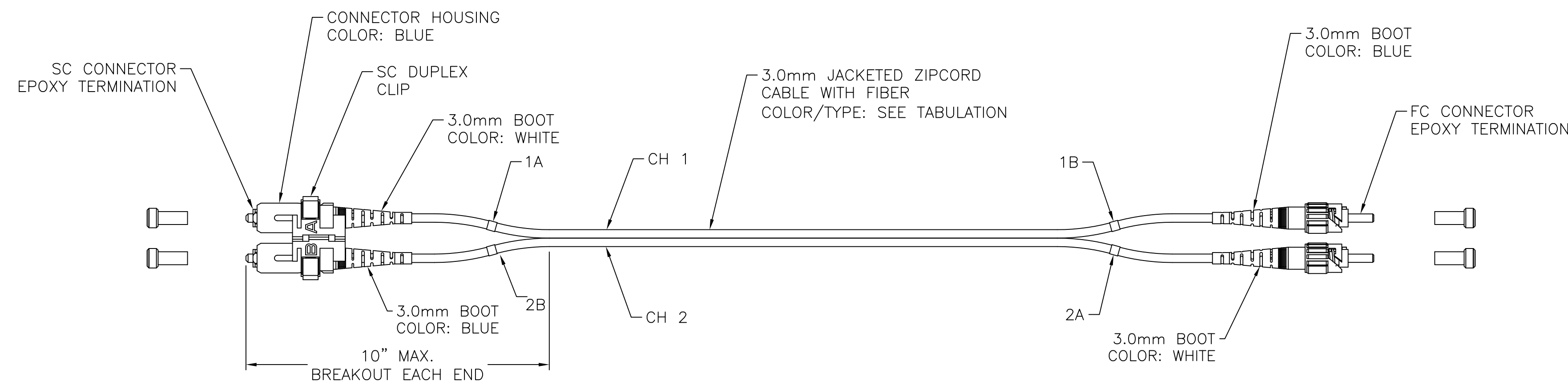
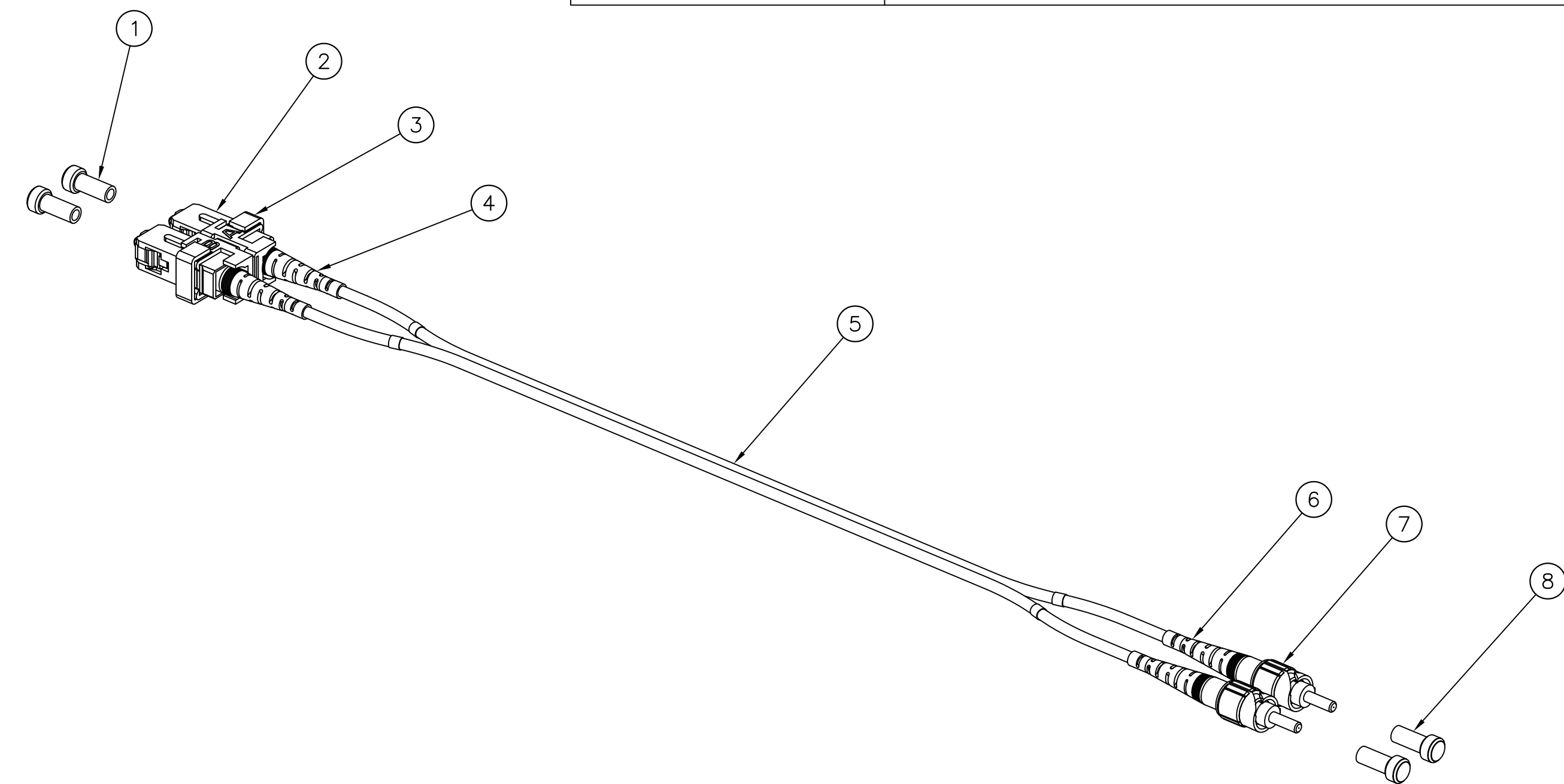


ITEM NO.	DESCRIPTION	QTY.
1	SC CONNECTOR DUST CAP	2
2	SC CONNECTOR BODY	2
3	SC DUPLEX CLIP	1
4	3mm SC CONNECTOR BOOT	2
5	3mm DUPLEX CABLE	A/R
6	3mm FC CONNECTOR BOOT	2
7	FC CONNECTOR NUT	2
8	FC CONNECTOR DUST CAP	2

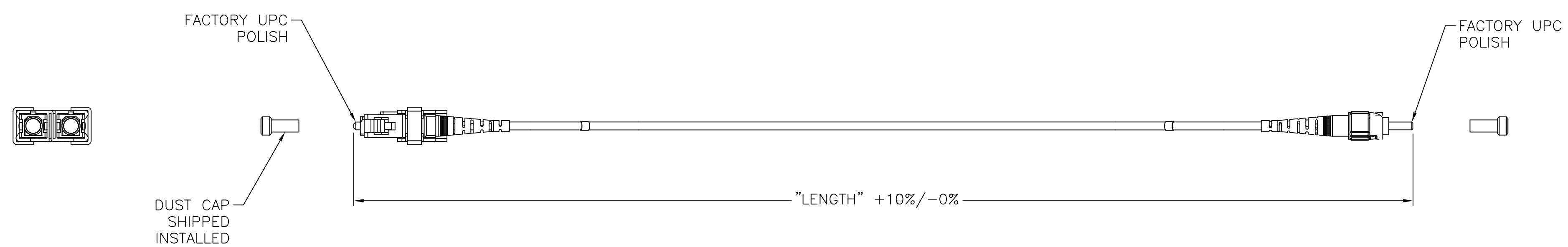
CATALOG NO.	DESCRIPTION	CABLE TYPE	COLOR
DFPCFCSCSxxSM	FIBER OPTIC PATCHCORD, PLENUM, SINGLEMODE, FC-SC DUPLEX, xx* METER	9/125 OS2	YELLOW

xx* MEANS AVAILABLE IN THE FOLLOWING LENGTHS:


- 1 METER
- 2 METER
- 3 METER
- 4 METER
- 5 METER
- 10 METER



- NOTES:
- CONNECTOR OPTICAL, MECHANICAL AND ENVIRONMENTAL PERFORMANCE MEETS TIA/EIA-568-C.3 SPECIFICATIONS.
 - CONNECTOR USES A PC RADIUS TIP ZIRCONIA CERAMIC FERRULE.
 - SC CONNECTOR HOUSING IS INJECTION MOLDED ENGINEERING PLASTIC RESIN. ST CONNECTOR NUT IS NICKEL PLATED ZINC DIE CAST.
 - OPTICAL INSERTION LOSS AND RETURN LOSS TEST DATA INCLUDED IN EACH BAGGED PATCH CORD.
 - CABLE MARKINGS TO IDENTIFY CHANNEL (1 OR 2) AND EACH END (A OR B).
 - POLARITY: A TO B PER TIA-568.3.
 - SPECIFICATIONS SUBJECT TO CHANGE WITHOUT PRIOR NOTICE.



REV.	ECN	DATE	DESCRIPTION	CHG BY	APPD BY
1	21494	9/14/16	INITIAL RELEASE	JJRJ	MMA

Created on AUTOCAD	DIMENSIONING AND TOLERANCE PER ANSI Y14.5M-1982 UNLESS OTHERWISE SPECIFIED, DIMENSIONS ARE IN INCHES (MM). TOLERANCES .XX = ±.01 (.25) .XXX = ±.005 (.127) .XXXX = ±.0025 (.0635) ANGLE TOL ±1°		PROJECT REFERENCE: NPD-00160	 Hubbell Premise Wiring HUBBELL INCORPORATED (Delaware) 23 CLARA DRIVE, SUITE 103 MYSTIC, CT 06355
	IN ACCEPTING OUR DRAWINGS, BLUEPRINTS, OR SUPPORTING DOCUMENTATION FOR QUOTATION OR OTHER PURPOSES, YOU AGREE NOT TO DISCLOSE TO OTHERS THE IDEAS, INFORMATION, OR DESIGNS SHOWN HEREIN, AND THAT YOU WILL MAKE NO USE OF SAME WITHOUT PERMISSION		MATERIAL:	
		DRAWN BY: J.RU0T-JACKSON 9/14/16	SIZE: D	DRAWING NO. HWS14683C
		CHECKED BY:	SCALE: 1/1	SHEET 1 OF 1
		APPROVED BY:	REV. 1	