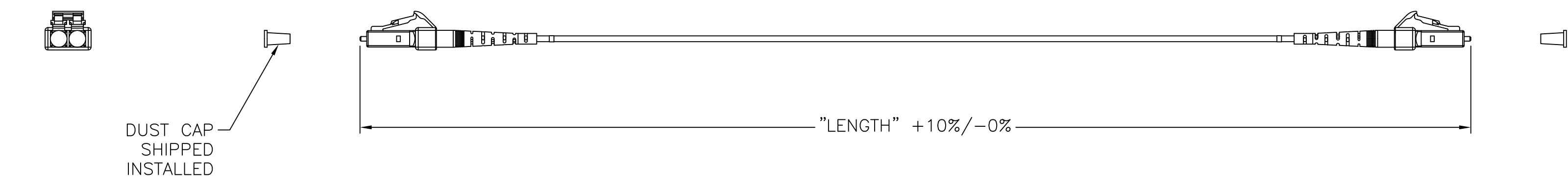
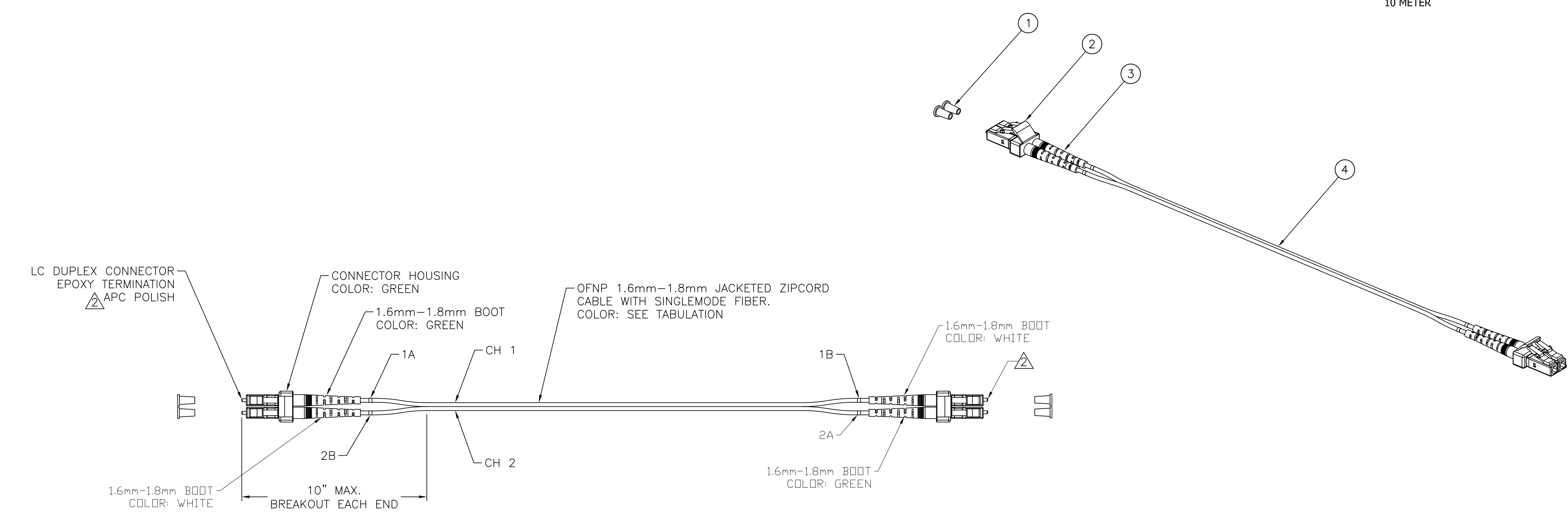


ITEM NO.	DESCRIPTION	QTY.
1	LC CONNECTOR DUST CAP	4
2	LC DUPLEX CONNECTOR BODY	2
3	1.6mm-1.8mm LC CONNECTOR BOOT	4
4	1.6mm-1.8mm DUPLEX CABLE	A/R


CATALOG NO	DESCRIPTION	FIBER TYPE	CABLE COLOR
DFPCLCALCASxxSM	FIBER OPTIC PATCHCORD, PLENUM, SINGLEMODE, LC/APC-LC/APC, xx* METER	9/125 OS2	YELLOW

**xx\* MEANS AVAILABLE IN THE FOLLOWING LENGTHS:**  
 1 METER  
 2 METER  
 3 METER  
 4 METER  
 5 METER  
 10 METER



- NOTES:
- CONNECTOR OPTICAL, MECHANICAL AND ENVIRONMENTAL PERFORMANCE MEETS TIA/EIA-568-C.3 SPECIFICATIONS.
  - CONNECTOR USES AN APC RADIUS TIP ZIRCONIA CERAMIC FERRULE.
  - CONNECTOR HOUSING IS INJECTION MOLDED ENGINEERING PLASTIC RESIN.
  - OPTICAL INSERTION LOSS AND RETURN LOSS TEST DATA INCLUDED IN EACH BAGGED PATCH CORD.
  - CABLE MARKINGS TO IDENTIFY CHANNEL (1 OR 2) AND EACH END (A OR B).
  - POLARITY: A TO B PER ANSI TIA-568.3
  - SPECIFICATIONS SUBJECT TO CHANGE WITHOUT PRIOR NOTICE.

REV.	ECN	DATE	DESCRIPTION	CHG BY	APPD BY
1	21494	09/12/16	INITIAL RELEASE	JJRJ	MMA

Created on AUTOCAD	DIMENSIONING AND TOLERANCE PER ANSI Y14.5M-1982 UNLESS OTHERWISE SPECIFIED, DIMENSIONS ARE IN INCHES (MM). TOLERANCES .XX = ±.01 (.25) .XXX = ±.005 (.127) .XXXX = ±.0025 (.0635) ANGLE TOL ±1°		PROJECT REFERENCE: NPD-00160	 <b>Hubbell Premise Wiring</b> HUBBELL INCORPORATED (Delaware) 23 CLARA DRIVE, SUITE 103 MYSTIC, CT 06355	
	IN ACCEPTING OUR DRAWINGS, BLUEPRINTS, OR SUPPORTING DOCUMENTATION FOR QUOTATION OR OTHER PURPOSES, YOU AGREE NOT TO DISCLOSE TO OTHERS THE IDEAS, INFORMATION, OR DESIGNS SHOWN HEREIN, AND THAT YOU WILL MAKE NO USE OF SAME WITHOUT PERMISSION		MATERIAL:		TITLE: FIBER PATCH CORDS SINGLEMODE LC/APC-LC/APC DUPLEX 9/125
	DRAWN BY: J.RU0T-JACKSON 9/13/16		CHECKED BY:	SIZE: <b>D</b>	DRAWING NO.: <b>HWS14676C</b>
	APPROVED BY:		SCALE: 1/1	SHEET 1 OF 1	REV. <b>1</b>