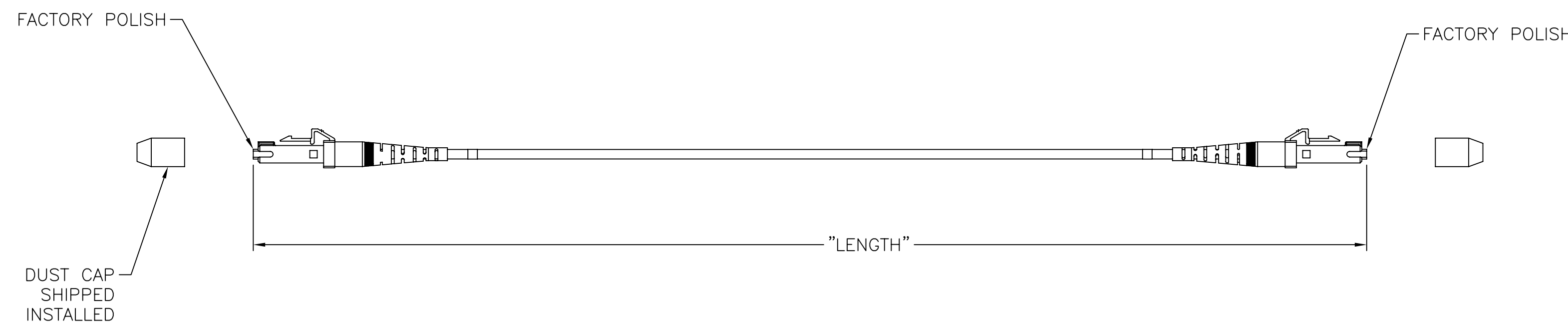
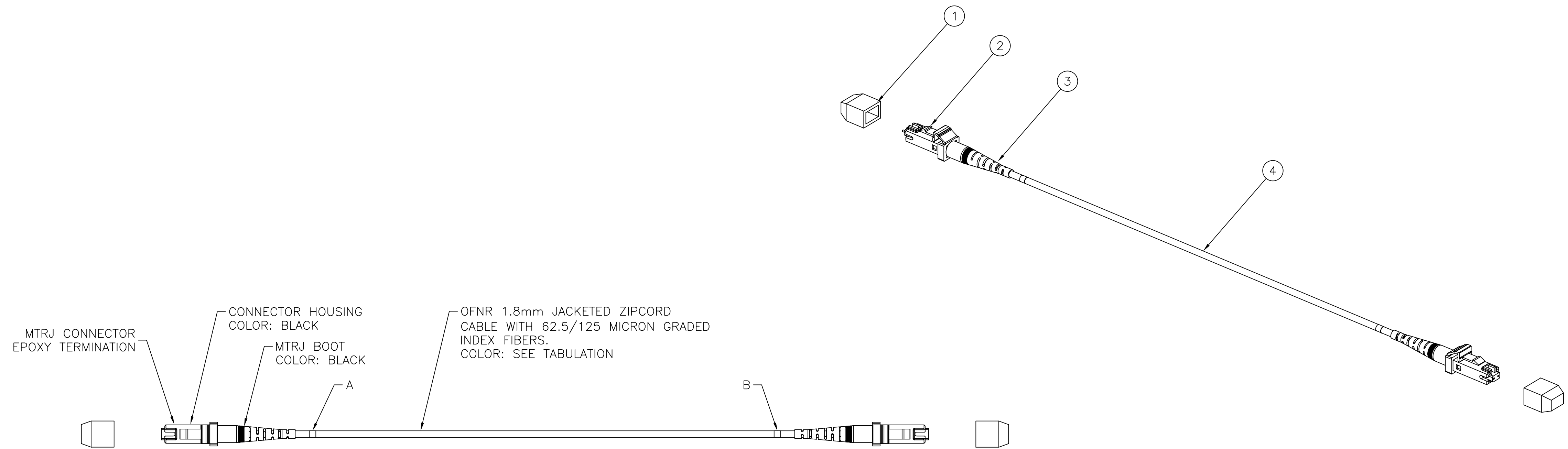


ITEM NO.	DESCRIPTION	QTY.
1	MTRJ CONNECTOR DUST CAP	2
2	MTRJ CONNECTOR NUT	2
3	MTRJ CONNECTOR BOOT	2
4	1.8mm DUPLEX CABLE	A/R

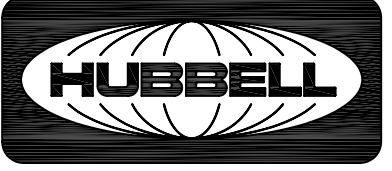
CATALOG NO.	DESCRIPTION	LENGTH	CABLE JACKET COLOR
DFPCRJRJC1MM	MULTIMODE MTRJ-MTRJ DUPLEX 62.5/125um PATCH CORD	1 METER	ORANGE
DFPCRJRJC2MM	MULTIMODE MTRJ-MTRJ DUPLEX 62.5/125um PATCH CORD	2 METER	ORANGE
DFPCRJRJC3MM	MULTIMODE MTRJ-MTRJ DUPLEX 62.5/125um PATCH CORD	3 METER	ORANGE
DFPCRJRJC5MM	MULTIMODE MTRJ-MTRJ DUPLEX 62.5/125um PATCH CORD	5 METER	ORANGE
DFPCRJRJC10MM	MULTIMODE MTRJ-MTRJ DUPLEX 62.5/125um PATCH CORD	10 METER	ORANGE



NOTES:

- CONNECTOR OPTICAL, MECHANICAL AND ENVIRONMENTAL PERFORMANCE MEETS TIA/EIA 568-B.3 SPECIFICATIONS.
- CONNECTOR USES A PC RADIUS TIP ZIRCONIA CERAMIC FERRULE.
- CONNECTOR HOUSING IS INJECTION MOLDED ENGINEERING PLASTIC RESIN.
- OPTICAL INSERTION LOSS TEST DATA INCLUDED IN EACH BAGGED PATCH CORD.
- CABLE MARKINGS TO IDENTIFY CHANNEL (1 OR 2) AND EACH END (A OR B).
- SPECIFICATIONS SUBJECT TO CHANGE WITHOUT PRIOR NOTICE.

REV.	ECN	DATE	DESCRIPTION	CHG BY	APPD BY
B	6159	9/27/07	REDUCED CABLE SIZE TO 1.8mm ZIPCORD	CD	

Created on AUTOCAD	DIMENSIONING AND TOLERANCE PER ANSI Y14.5M-1982 UNLESS OTHERWISE SPECIFIED, DIMENSIONS ARE IN INCHES (MM). TOLERANCES .XX = ±.01 (.25) .XXX = ±.005 (.127) .XXXX = ±.0025 (.0635) ANGLE TOL ±1°		PROJECT REFERENCE:		 <b>Hubbell Premise Wiring</b> HUBBELL INCORPORATED (Delaware) 14 Lord's Hill Road, Stonington, Connecticut 06378
	IN ACCEPTING OUR DRAWINGS, BLUEPRINTS, OR SUPPORTING DOCUMENTATION FOR QUOTATION OR OTHER PURPOSES, YOU AGREE NOT TO DISCLOSE TO OTHERS THE IDEAS, INFORMATION, OR DESIGNS SHOWN HEREIN, AND THAT YOU WILL MAKE NO USE OF SAME WITHOUT PERMISSION		MATERIAL:		
			DRAWN BY: PAUL S. MAGUIRE 02/18/03		TITLE: FIBER PATCH CORDS ASSY, MULTIMODE MTRJ-MTRJ SIMPLEX 62.5/125
			CHECKED BY: CINDY TALBOT 04/24/03		SIZE: <b>D</b> DRAWING NO. <b>C11348</b> REV. <b>B</b>
		APPROVED BY: CINDY TALBOT 04/24/03		SCALE: 1/1 SHEET 1 OF 1	